



Quotation Advert

Opening Date: 2019-11-22

Closing Date: 2019-11-29

Closing Time: 11:00

INSTITUTION DETAILS

Institution Name: Ndwedwe CHC

Province: KwaZulu-Natal

Department or Entity: Department of Health

Division or section: Central Supply Chain Management

Place where goods / services is required: Ndwedwe CHC

Date Submitted: 2019-11-20

ITEM CATEGORY AND DETAILS

Quotation Number: ZNQ:
251 19/20

Item Category: Goods

Item Description: Supply and install light poles at Ndwedwe CHC - specification attached

Quantity (if supplies): 10 units

COMPULSORY BRIEFING SESSION / SITE VISIT

Select Type: Not Applicable

Date :

Time:

Venue:

QUOTES CAN BE COLLECTED FROM: Ndwedwe CHC - SCM office

QUOTES SHOULD BE DELIVERED TO: Ndwedwe CHC - tender box in rehabilitation center veranda

ENQUIRIES REGARDING THE ADVERT MAY BE DIRECTED TO:

Name: Mari Kekana

Email: maria.kekana@kznhealth.gov.za

Contact Number: 032 - 532 3044

Finance Manager Name: Mr SG Hlongwane

Finance Manager Signature: 

No late quotes will be considered

DECLARATION OF INTEREST

1. Any legal person, including persons employed by the state¹, or persons having a kinship with persons employed by the state, including a blood relationship, may make an offer or offers in terms of this invitation to quote (includes a price quotation, advertised competitive quote, limited quote or proposal). In view of possible allegations of favouritism, should the resulting quote, or part thereof, be awarded to persons employed by the state, or to persons connected with or related to them, it is required that the bidder or his/her authorised representative declare his/her position in relation to the evaluating/adjudicating authority where-
 - the bidder is employed by the state; and/or
 - the legal person on whose behalf the bidding document is signed, has a relationship with persons/a person who are/is involved in the evaluation and or adjudication of the quote(s), or where it is known that such a relationship exists between the person or persons for or on whose behalf the declarant acts and persons who are involved with the evaluation and or adjudication of the quote.
2. In order to give effect to the above, the following questionnaire must be completed and submitted with the quote.

- | | |
|--|---|
| 2.1. Full Name of bidder/representative..... | 2.4. Company Registration Number: |
| 2.2. Identity Number: | 2.5. Tax Reference Number: |
| 2.3. Position occupied in the Company (director, trustee, shareholder ²):..... | 2.6. VAT Registration Number: |

2.7. The names of all directors / trustees / shareholders / members, their individual identity numbers, tax reference numbers and, if applicable, employee / persal numbers must be indicated in paragraph 3 below. [TICK APPLICABLE]

2.8. Are you or any person connected with the bidder presently employed by the state? YES NO

2.8.1. If so, furnish the following particulars:
 Name of person / director / trustee / shareholder/ member:
 Name of state institution at which you or the person connected to the bidder is employed:.....
 Position occupied in the state institution:Any other particulars:.....

2.8.2. If you are presently employed by the state, did you obtain the appropriate authority to undertake remunerative work outside employment in the public sector? YES NO

2.8.2.1. If yes, did you attach proof of such authority to the quote document?

(Note: Failure to submit proof of such authority, where applicable, may result in the disqualification of the quote.)

2.8.2.2. If no, furnish reasons for non-submission of such proof:

2.9. Did you or your spouse, or any of the company's directors / trustees / shareholders / members or their spouses conduct business with the state in the previous twelve months? YES NO

2.9.1. If so, furnish particulars:.....

2.10. Do you, or any person connected with the bidder, have any relationship (family, friend, other) with a person employed by the state and who may be involved with the evaluation and or adjudication of this quote? YES NO

2.10.1. If so, furnish particulars:.....

2.11. Are you, or any person connected with the bidder, aware of any relationship (family, friend, other) between any other bidder and any person employed by the state who may be involved with the evaluation and or adjudication of this quote? YES NO

2.11.1. If so, furnish particulars:.....

2.12. Do you or any of the directors / trustees / shareholders / members of the company have any interest in any other related companies whether or not they are bidding for this contract? YES NO

2.12.1. If so, furnish particulars:.....

3. Full details of directors / trustees / members / shareholders.

NB: The Department Of Health will validate **details of directors / trustees / members / shareholders** on CSD. It is the suppliers' responsibility to ensure that their details are up-to-date and verified on CSD. If the Department cannot validate the **information** on CSD, the quote will not be considered and passed over as non-compliant according to National Treasury Instruction Note 4 (a) 2016/17.

4 DECLARATION

I, THE UNDERSIGNED (NAME).....CERTIFY THAT THE INFORMATION FURNISHED IN PARAGRAPHS 2.

I ACCEPT THAT THE STATE MAY REJECT THE QUOTE OR ACT AGAINST ME SHOULD THIS DECLARATION PROVE TO BE FALSE.

.....
Name of bidder	Signature	Position	Date

¹"State" means –

- | | |
|---|---|
| a) any national or provincial department, national or provincial public entity or constitutional institution within the meaning of the Public Finance Management Act, 1999 (Act No. 1 of 1999); | c) provincial legislature; |
| b) any municipality or municipal entity; | d) national Assembly or the national Council of provinces; or |
| | e) Parliament. |

²"Shareholder" means a person who owns shares in the company and is actively involved in the management of the enterprise or business and exercises control over the enterprise.



SPECIAL CONTRACT CONDITIONS OF QUOTATIONS

1. AMENDMENT OF CONTRACT

- 1.1. Any amendment to or renunciation of the provisions of the contract shall at all times be done in writing and shall be signed by both parties.

2. CHANGE OF ADDRESS

- 2.1. Bidders must advise the Department of Health (institution where the offer was submitted) should their address (*domicilium citandi et executandi*) details change from the time of bidding to the expiry of the contract.

3. GENERAL CONDITIONS ATTACHED TO THIS QUOTATION

- 3.1. The institution is under no obligation to accept the lowest or any quote.
- 3.2. The price quoted must include VAT (if VAT vendor). However, it must be noted that the department reserves the right to evaluate all quotations excluding VAT as some bidders may not be VAT vendors.
- 3.3. The bidder must ensure the correctness & validity of quote:
(i) *that the price(s), rate(s) & preference quoted cover all for the work/item (s) & accept that any mistakes regarding the price (s) & calculations will be at the bidder's risk*
- 3.4. The bidder must accept full responsibility for the proper execution & fulfilment of all obligations conditions devolving on under this agreement, as the Principal (s) liable for the due fulfilment of this contract.
- 3.5. This quotation will be evaluated based on the 80/20 points system, specification & correctness of information. All required documentation must be completed in full and submitted.
- 3.6. Offers must comply strictly with the specification.
- 3.7. Only offers that meet or are greater than the specification will be considered.
- 3.8. Late quotes will not be considered.
- 3.9. Expired product/s will not be accepted. All products supplied must be valid for a minimum period of six months.
- 3.10. A bidder not registered on the Central Suppliers Database or verification has failed will not be considered.
- 3.11. All delivery costs must be included in the quote price, for delivery at the prescribed destination.
- 3.12. Only firm prices will be accepted. Such prices must remain firm for the contract period. Non-firm prices (including rates of exchange variations) will not be considered.
- 3.13. In cases where different delivery points influence the pricing, a separate pricing schedule must be submitted for each delivery point.
- 3.14. In the event of a bidder having multiple quotes, only the cheapest according to specification will be considered. Furthermore a verification will be done to identify if bidders have multiple companies and are quoting (cover-quoting) for this bid. In such instances only the cheapest bid according to specification will be considered.

4. SPECIAL INSTRUCTIONS AND NOTICES TO BIDDERS REGARDING THE COMPLETION OF THIS QUOTATION.

- 4.1. Unless inconsistent with or expressly indicated otherwise by the context, the singular shall include the plural and vice versa and with words importing the masculine gender shall include the feminine and the neuter.
- 4.2. Under no circumstances whatsoever may the quotation/bid forms be retyped or redrafted. Photocopies of the original bid documentation may be used, but an original signature must appear on such photocopies.
- 4.3. The bidder is advised to check the number of pages and to satisfy himself that none are missing or duplicated.
- 4.4. Quotation submitted must be complete in all respects.
- 4.5. Any alteration made by the bidder must be initialled.
- 4.6. Use of correcting fluid is prohibited
- 4.7. Quotation will be opened in public as soon as practicable after the closing time of quotation.
- 4.8. Where practical, prices are made public at the time of opening quotations.
- 4.9. If it is desired to make more than one offer against any individual item, such offers should be given on a photocopy of the page in question. Clear indication thereof must be stated on the schedules attached.

5. SPECIAL INSTRUCTIONS REGARDING HAND DELIVERED QUOTATIONS

- 5.1. Quotation shall be lodged at the address indicated not later than the closing time specified for their receipt, and in accordance with the directives in the quotation documents.
- 5.2. Each quotation shall be addressed in accordance with the directives in the quotation documents and shall be lodged in a separate sealed envelope, with the name and address of the bidder, the quotation number and closing date indicated on the envelope. The envelope shall not contain documents relating to any quotation other than that shown on the envelope. If this provision is not complied with, such quotations/bids may be rejected as being invalid.
- 5.3. All quotations received in sealed envelopes with the relevant quotation numbers on the envelopes are kept unopened in safe custody until the closing time of the quotation/bids. Where, however, a quotation is received open, it shall be sealed. If it is received without a quotation/bid number on the envelope, it shall be opened, the quotation number ascertained, the envelope sealed and the quotation number written on the envelope.
- 5.4. A specific box is provided for the receipt of quotations, and no quotation found in any other box or elsewhere subsequent to the closing date and time of quotation will be considered.

- 5.5. No quotation/bid sent through the post will be considered if it is received after the closing date and time stipulated in the quotation documentation, and proof of posting will not be accepted as proof of delivery.
- 5.6. Quotation documents must not be included in packages containing samples. Such quotations may be rejected as being invalid.

6. SAMPLES

- 6.1. In the case of the quote document stipulating that samples are required, the supplier will be informed in due course when samples should be provided to the institution. (This decreases the time of safety and storage risk that may be incurred by the respective institution). The bidders sample will be retained if such bidder wins the contract.
- (i) If a company/s who has not won the quote requires their samples, they must advise the institution in writing of such.
- (ii) If samples are not collected within three months of close of quote the institution reserves the right to dispose of them at their discretion.
- 6.2. **Samples must be made available when requested in writing or if stipulated on the document.**
- (i) If a Bidder fails to provide a sample of their product on offer for scrutiny against the set specification when requested, their offer will be rejected. All testing will be for the account of the bidder.

7. COMPULSORY SITE INSPECTION / BRIEFING SESSION

7.1. Bidders who fail to attend the compulsory meeting will be disqualified from the evaluation process.

- (i) The institution has determined that a compulsory site meeting take place
- (ii) Date ____/____/____ Time ____:____ Place _____

Institution Stamp:	Institution Site Inspection / briefing session Official Full Name: Signature: Date:
--------------------	--

8. STATEMENT OF SUPPLIES AND SERVICES

8.1. The contractor shall, when requested to do so, furnish particulars of supplies delivered or services executed. If he/she fails to do so, the Department may, without prejudice to any other rights which it may have, institute inquiries at the expense of the contractor to obtain the required particulars.

9. SUBMISSION AND COMPLETION OF SBD 6.1

9.1. Should a bidder wish to qualify for preference points they must complete a SBD 6.1 document. Failure by a bidder to provide all relevant information required, will result in such a bidder not being considered for preference point's allocation. The preferences applicable on the closing date will be utilized. Any changes after the closing date will not be considered for that particular quote.

10. TAX COMPLIANCE REQUIREMENTS

- 10.1. In the event that the tax compliance status has failed on CSD, **it is the suppliers' responsibility to provide a SARS pin in order for the institution to validate the tax compliance status of the supplier.**
- 10.2. In the event that the institution cannot validate the suppliers' tax clearance on SARS as well as the Central Suppliers Database, **the quote will not be considered and passed over as non-compliant according to National Treasury Instruction Note 4 (a) 2016/17.**

11. TAX INVOICE

11.1. A tax invoice shall be in the currency of the Republic of South Africa and shall contain the following particulars:

- | | |
|---|---|
| (i) the name, address and registration number of the supplier;
(ii) the name and address of the recipient;
(iii) an individual serialized number and the date upon which the tax invoice is issued; | (iv) a description and quantity or volume of the goods or services supplied;
(v) the official department order number issued to the supplier;
(vi) the value of the supply, the amount of tax charged;
(vii) the words tax invoice in a prominent place. |
|---|---|

12. PATENT RIGHTS

The supplier shall indemnify the **KZN Department of Health** (hereafter known as the purchaser) against all third-party claims of infringement of patent, trademark, or industrial design rights arising from use of the goods or any part thereof by the purchaser.

13. PENALTIES

- 13.1. If at any time during the contract period, the service provider is unable to perform in a timely manner, the service provider must notify the institution in writing/email of the cause of and the duration of the delay. Upon receipt of the notification, the institution should evaluate the circumstances and, if deemed necessary, the institution may extend the service provider's time for performance.
- 13.2. In the event of delayed performance that extends beyond the delivery period, the institution is entitled to purchase commodities of a similar quantity and quality as a substitution for the outstanding commodities, without terminating the contract, as well as return commodities delivered at a later stage at the service provider's expense.
- 13.3. Alternatively, the institution may elect to terminate the contract and procure the necessary commodities in order to complete the contract. In the event that the contract is terminated the institution may claim damages from the service provider in the form of a penalty. The service provider's performance should be captured on the service provider database in order to determine whether or not the service provider should be awarded any contracts in the future.
- 13.4. If the supplier fails to deliver any or all of the goods or to perform the services within the period(s) specified in the contract, the purchaser shall, without prejudice to its other remedies under the contract, deduct from the contract price, as a penalty, a sum calculated on the delivered price of the delayed goods or unperformed services using the current prime interest rate calculated for each day of the delay until actual delivery or performance.

14. TERMINATION FOR DEFAULT

- 14.1. The purchaser, without prejudice to any other remedy for breach of contract, by written notice of default sent to the supplier, may terminate this contract in whole or in part:
 - (i) if the supplier fails to deliver any or all of the goods within the period(s) specified in the contract,
 - (ii) if the supplier fails to perform any other obligation(s) under the contract; or
 - (iii) if the supplier, in the judgment of the purchaser, has engaged in corrupt or fraudulent practices in competing for or in executing the contract.
- 14.2. In the event the purchaser terminates the contract in whole or in part, the purchaser may procure, upon such terms and in such manner as it deems appropriate, goods, works or services similar to those undelivered, and the supplier shall be liable to the purchaser for any excess costs for such similar goods, works or services.
- 14.3. Where the purchaser terminates the contract in whole or in part, the purchaser may decide to impose a restriction penalty on the supplier by prohibiting such supplier from doing business with the public sector for a period not exceeding 10 years.

15. FAILURE TO COMPLY WITH ABOVE WILL RESULT IN YOUR QUOTE BEING PASSED OVER.

PREFERENCE POINTS CLAIM FORM IN TERMS OF THE PREFERENTIAL PROCUREMENT REGULATIONS 2017

This preference form must form part of all quotes invited. It contains general information and serves as a claim form for preference points for Broad-Based Black Economic Empowerment (B-BBEE) Status Level of Contribution

NB: BEFORE COMPLETING THIS FORM, BIDDERS MUST STUDY THE GENERAL CONDITIONS, DEFINITIONS AND DIRECTIVES APPLICABLE IN RESPECT OF B-BBEE, AS PRESCRIBED IN THE PREFERENTIAL PROCUREMENT REGULATIONS, 2017.

1. GENERAL CONDITIONS

- 1.1 The following preference point systems are applicable to all quotes:
- the 80/20 system for requirements with a Rand value of up to R50 000 000 (all applicable taxes included); and
- 1.2 The value of this quote is estimated to not exceed R50 000 000 (all applicable taxes included) and therefore the 80/20 preference point system shall be applicable.
- 1.3 Points for this quote shall be awarded for:
- (a) Price; and
 - (b) B-BBEE Status Level of Contributor.
- 1.4 The maximum points for this quote is allocated as follows:

	POINTS
PRICE	80
B-BBEE STATUS LEVEL OF CONTRIBUTOR	20
Total points for Price and B-BBEE must not exceed	100

- 1.5 Failure on the part of a bidder to submit proof of B-BBEE Status level of contributor together with the quote, will be interpreted to mean that preference points for B-BBEE status level of contribution are not claimed.
- 1.6 The purchaser reserves the right to require of a bidder, either before a quote is adjudicated or at any time subsequently, to substantiate any claim in regard to preferences, in any manner required by the purchaser.

2. DEFINITIONS

- (a) **"B-BBEE"** means broad-based black economic empowerment as defined in section 1 of the Broad-Based Black Economic Empowerment Act;
- (b) **"B-BBEE status level of contributor"** means the B-BBEE status of an entity in terms of a code of good practice on black economic empowerment, issued in terms of section 9(1) of the Broad-Based Black Economic Empowerment Act;
- (c) **"bid"** means a written offer in a prescribed or stipulated form in response to an invitation by an organ of state for the provision of goods or services, through price quotations, advertised competitive bidding processes or proposals;
- (d) **"Broad-Based Black Economic Empowerment Act"** means the Broad-Based Black Economic Empowerment Act, 2003 (Act No. 53 of 2003);
- (e) **"EME"** means an Exempted Micro Enterprise in terms of a code of good practice on black economic empowerment issued in terms of section 9 (1) of the Broad-Based Black Economic Empowerment Act;
- (f) **"functionality"** means the ability of a tenderer to provide goods or services in accordance with specifications as set out in the tender documents.
- (g) **"prices"** includes all applicable taxes less all unconditional discounts;
- (h) **"proof of B-BBEE status level of contributor"** means:
 - 1) B-BBEE Status level certificate issued by an authorized body or person;
 - 2) A sworn affidavit as prescribed by the B-BBEE Codes of Good Practice;
 - 3) Any other requirement prescribed in terms of the B-BBEE Act;
- (i) **"QSE"** means a qualifying small business enterprise in terms of a code of good practice on black economic empowerment issued in terms of section 9 (1) of the Broad-Based Black Economic Empowerment Act;
- (j) **"rand value"** means the total estimated value of a contract in Rand, calculated at the time of bid invitation, and includes all applicable taxes;

3. POINTS AWARDED FOR PRICE

3.1 THE 80/20 PREFERENCE POINT SYSTEMS

A maximum of 80 points is allocated for price on the following basis:

$$P_s = 80 \left(1 - \frac{P_t - P_{\min}}{P_{\min}} \right) \text{ Where}$$

- P_s = Points scored for price of bid under consideration
- P_t = Price of bid under consideration
- P_{min} = Price of lowest acceptable bid

4. POINTS AWARDED FOR B-BBEE STATUS LEVEL OF CONTRIBUTOR

4.1 In terms of Regulation 6 (2) and 7 (2) of the Preferential Procurement Regulations, preference points must be awarded to a bidder for attaining the B-BBEE status level of contribution in accordance with the table below:

B-BBEE Status Level of Contributor	Number of points (80/20 system)
1	20
2	18
3	14
4	12
5	8
6	6
7	4
8	2
Non-compliant contributor	0

5. BID DECLARATION

5.1 Bidders who claim points in respect of B-BBEE Status Level of Contribution must complete the following:

6. B-BBEE STATUS LEVEL OF CONTRIBUTOR CLAIMED IN TERMS OF PARAGRAPHS 1.4 AND 4.1

6.1 B-BBEE Status Level of Contributor: =(maximum of 20 points)

(Points claimed in respect of paragraph 7.1 must be in accordance with the table reflected in paragraph 4.1 and must be substantiated by relevant proof of B-BBEE status level of contributor.

7. SUB-CONTRACTING

(Tick applicable box)

7.1 Will any portion of the contract be sub-contracted?

YES	<input type="checkbox"/>	NO	<input type="checkbox"/>
-----	--------------------------	----	--------------------------

7.1.1 If yes, indicate:

- i) What percentage of the contract will be subcontracted.....%
- ii) The name of the sub-contractor.....
- iii) The B-BBEE status level of the sub-contractor.....

8. Whether the sub-contractor is an EME or QSE

(Tick applicable box)

iv) Specify, by ticking the appropriate box, if subcontracting with an enterprise in terms of Preferential Procurement Regulations, 2017:

YES	<input type="checkbox"/>	NO	<input type="checkbox"/>
-----	--------------------------	----	--------------------------

Designated Group: An EME or QSE which is at least 51% owned by:	EME √	QSE √
Black people		
Black people who are youth		
Black people who are women		
Black people with disabilities		
Black people living in rural or underdeveloped areas or townships		
Cooperative owned by black people		
Black people who are military veterans		
OR		
Any EME		
Any QSE		

9. **DECLARATION WITH REGARD TO COMPANY/FIRM**

9.1 Name of company/firm:.....

9.2 VAT registration number:.....

9.3 Company registration number:.....

9.4 **TYPE OF COMPANY/ FIRM [TICK APPLICABLE BOX]**

- Partnership/Joint Venture / Consortium
- One person business/sole propriety
- Close corporation
- Company
- (Pty) Limited

9.5 **DESCRIBE PRINCIPAL BUSINESS ACTIVITIES**

.....
.....

9.6 **COMPANY CLASSIFICATION [TICK APPLICABLE BOX]**

- Manufacturer
- Supplier
- Professional service provider
- Other service providers, e.g. transporter, etc.

9.7 Total number of years the company/firm has been in business:.....

9.8 I/we, the undersigned, who is / are duly authorised to do so on behalf of the company/firm, certify that the points claimed, based on the B-BBE status level of contributor indicated in paragraphs 1.4 and 6.1 of the foregoing certificate, qualifies the company/ firm for the preference(s) shown and I / we acknowledge that:

- i) The information furnished is true and correct;
- ii) The preference points claimed are in accordance with the General Conditions as indicated in paragraph 1 of this form;
- iii) In the event of a contract being awarded as a result of points claimed as shown in paragraphs 1.4 and 6.1, the contractor may be required to furnish documentary proof to the satisfaction of the purchaser that the claims are correct;
- iv) If the B-BBEE status level of contributor has been claimed or obtained on a fraudulent basis or any of the conditions of contract have not been fulfilled, the purchaser may, in addition to any other remedy it may have –
 - (a) disqualify the person from the bidding process;
 - (b) recover costs, losses or damages it has incurred or suffered as a result of that person's conduct;
 - (c) cancel the contract and claim any damages which it has suffered as a result of having to make less favourable arrangements due to such cancellation;
 - (d) recommend that the bidder or contractor, its shareholders and directors, or only the shareholders and directors who acted on a fraudulent basis, be restricted by the National Treasury from obtaining business from any organ of state for a period not exceeding 10 years, after the *audi alteram partem* (hear the other side) rule has been applied; and
 - (e) forward the matter for criminal prosecution.

WITNESSES	
1.
2.

..... SIGNATURE(S) OF BIDDERS(S)
DATE:
ADDRESS.....

PROVINCE OF KWAZULU-NATAL
DEPARTMENT OF HEALTH



health

Department:
Health
PROVINCE OF KWAZULU-NATAL

DIRECTORATE: NDWEDWE CHC

Physical Address: P100 Main road, Ndwedwe Central, 4342
Postal Address: Private Bag X 528, Ndwedwe, 4342
Tel: 032 532 3048 Fax: 032 532 3628 Email: Xolani.Dlamini2@kznhealth.gov.za

MAINTENANCE DEPARTMENT

PROVINCE OF KWAZULU-NATAL
DEPARTMENT OF HEALTH

ZNQ –
NDWEDWE CHC chc -
Remove ,Supply & install poles &light fittings

1.1 SCOPE OF CONTRACT

This Contract is for the execution of the project indicated above.

1.2 NO CONTRACT DRAWINGS

1.3 CONDITIONS OF CONTRACT AND PRELIMINARIES

1.3.1 PERIOD OF CONTRACT

Four (04) *Weeks* as the Contract Period for the completion of the Work from date of Site handover.

1.3.2 CONTRACT GUARANTEE:

The Successful Bidder will **NOT** be required to submit a contract guarantee.

1.3.3 GUARANTEE PERIOD

The guarantee period for the completion of the Structural work and all materials must be a minimum of Twelve (12) Calendar Months from the date of first delivery.

1.3.4 SITE AND MODE OF PROCEDURE

The work contained in this contract will be carried out on the site of the existing at **NDWEDWE chc**

The Bidder is advised that the existing premises will be occupied throughout the period of the contract, and that the minimum amount of disruption to services is of the utmost importance.

Damage to the existing buildings - Bidders to note that any damages done or occurring to any of the buildings will be repaired at the expense of the contractor/ Bidder.

The repairs must be to the satisfaction of the Kwazulu- Natal Department of Health. Bidders are advised to visit the site prior to tendering and to acquaint themselves with the nature of the work to be done and access to the siting of the existing

buildings etc., as no claim whatsoever will be allowed on the grounds of ignorance of the conditions under which the work will be executed.

1.3.5 SATISFACTORY INSTALLATION

The whole of the installation shall be carried out in accordance with the South African Bureau of Standards Code of Practice for the application of National Building Regulations, the KZNPA Standard Preambles to all Trades, the KZNPA General Electrical Specification, ICASA, Telecommunications regulations, the South African Bureau of Standards Code of Practice for the Wiring of Premises SABS 0142 and the Occupational Health and Safety Act and Regulations 85/1993 as amended.

Copies of the KZNPA Standard Preambles to all Trades and the KZNPA General Electrical Specification are available at the office of the Secretary for Health – KwaZulu-Natal and can be obtained on request.

1.3.6 CERTIFICATE OF COMPLIANCE

On completion of the service, a copy of the "Certificate of Compliance for Electrical Installation" must be submitted to the office of the Secretary for Health: KwaZulu Natal.

1.3.7 GENERAL

The Bidder's / Contractors will be responsible for all masonry work associated with the electrical installation and making good of all work related to the electrical installation. The patching and painting must be to the satisfaction of the KwaZulu-Natal Department of Health.



health

Department:
Health
PROVINCE OF KWAZULU-NATAL

DIRECTORATE: NDWEDWE CHC

Physical Address: P100 Main road, Ndwedwe Central, 4342
Postal Address: Private Bag X 528, Ndwedwe, 4342
Tel: 032 532 3048 Fax: 032 532 3628 Email: Xolani.Dlamini2@kznhealth.gov.za

MAINTENANCE DEPARTMENT

**PROVINCE OF KWAZULU-NATAL
DEPARTMENT OF HEALTH**

- NDWEDWE CHC -

Remove ,Supply & install poles &light fittings

TECHNICAL SPECIFICATIONS

2. TECHNICAL SPECIFICATION

2.1 GENERAL

This TECHNICAL SPECIFICATION shall be read in conjunction with all other sections of the SPECIFICATION and cognisance shall be taken of the clauses relevant to this particular installation, whether any specific clauses are referred to or not.

2.2 *Standard Preambles*

This is available from the department on request.

2.3 *Health and Safety Specification*

Health and Safety Plan with Risk assessment schedule is to be compiled taking cognisance of the specific type of patient's that walk around the institution all day. All areas are to be protected at all times from patients falling in. All new and old materials are to be securely stored during construction to eliminate any person from rolling them around or playing inside



health

Department:
Health
PROVINCE OF KWAZULU-NATAL

DIRECTORATE: NDWEDWE CHC

Physical Address: P100 Main road, Ndwedwe Central, 4342
Postal Address: Private Bag X 528, Ndwedwe, 4342
Tel: 032 532 3048 Fax: 032 532 3628 Email: Xolani.Dlamini2@kznhealth.gov.za

MAINTENANCE DEPARTMENT

**ZNQ –
NDWEDWE CHC -**

Remove ,Supply & install poles &light fittings

3. SCOPE OF WORK

The work to be carried out under this contract includes the supply of all materials, and including all labour to carry out all electrical work and leaving in service condition to the satisfaction of the Secretary for Health: KwaZulu-Natal.

- 3.1. The work comprises of:
Remove ,Supply & install poles &light fittings

1. ALTERATIONS

SITE VISIT: — Tenderers are advised to visit the site prior to tendering and satisfy themselves as to the nature and extent of the work to be done, also to examine the condition of all existing buildings as no claim will be entertained on the grounds of ignorance of the conditions under which the work was to be executed.

MATERIALS FROM THE ALTERATIONS: — unless otherwise stated, will become the property of the Contractor and all these materials, together with all rubbish and debris must be carried away and the site left clean and unencumbered.
Items described as "removed" shall mean removed from the site.
Credit for the value of materials from the alterations is to be allowed for on the Summary/
Final Summary page.

Items described as to be re-used or to be handed over to the Administration are to be dismantled where necessary and stacked on site where directed, and the Contractor will be responsible for their removal and storage until required, and shall make good all items missing, damaged or broken at his own expense.
Unless otherwise described, no materials from the alterations shall be re-used in any new work without the written approval of the Department.

Prior to the removal of any timbers from the site, these are to be inspected by Government Entomologists. If any of these timbers are infested by wood destroying agencies, these timbers are to be disposed of in the manner prescribed by the Government Entomologist.
In taking down and removing existing work, particular care must be taken to avoid any structural or other damage to the remaining portions of the buildings.

2. ROOF COVERINGS

CONCRETE ROOFING TILES: — shall conform to SANS Specification 542. The tiles are to be of pattern and colour specified and is to be even in thickness, uniform in shape and colour and free from cracks and blemishes. The tiles are to be laid to "straight bond" in accordance with SANS Code of Practice 062 with vertical joints and bottom edges of each course ranging perfectly straight.

Unless otherwise specified each tile in every third course, all tiles in eaves and ridge courses and tiles in every course on each side of hips and valleys shall be secured with copper clout headed nails driven into the battens or with approved non-corrodible tile clips and nails in accordance with the manufacturer's instructions. Where nail holes in tiles have been cut off at hips, valleys, top edges, etc. new holes are to be drilled.

All ridge and hip cappings are to be of the types specified and of colour to match the roofing tiles. The cappings are to be bedded, jointed, pointed and torched up over roofing tiles in 1:3 cement mortar tinted to match the tiles. Where cappings having butt jointed ends are specified, an approved damp proof course conforming to Type C of SANS Specification 952 is to be fixed under, laid over the roofing tiles in accordance with the manufacturer's instructions.

Barge cappings are to be of the types specified and of colour to match the roofing tiles. The barge capping tiles are, unless otherwise specified, to be bedded, jointed, pointed and touched up over roofing tiles in 1:3 cement mortar tinted to match the tiles with every tile drilled and secured with copper clout headed nails to timber barge boards or bearers (elsewhere measured). Concrete tiles to residential units in non hail area's are permitted.

3. IRONMONGERY

Ironmongery is to be to the approval of the Department and rates are to include for fixing screws of corresponding metal and finish and for oiling and easing as required at completion.

Where catalogue references are given, the articles are to be of the brand specified or other approved.

4. PAINTING

MATERIALS: — Proprietary materials where specified are to be of the brand specified or other approved by the Department.

All primers, emulsion paints, enamels, stains, varnishes, etc. are to comply with the relevant SANS Specification.

Paints, etc. shall be suitable for application on the surfaces to which they are being applied and those used externally shall be of exterior quality or suitable for exterior use.

For any particular work the priming coat and subsequent coats of paint are to be executed with paints from the same manufacturer and in accordance with that manufacturer's instructions.

The materials are to be brought to the site in unopened containers and no adulteration will be permitted, except thinners of a quantity and quality directed by the manufacturer.

The Department shall at all times be permitted to take samples for testing purposes from open containers of any brand of paint being used on the work.

All materials, if and when required by the Department, will be subject to tests by the South African Bureau of Standards, and the cost of such tests, should the material under test not meet the requirements of this specification, shall be borne by the Contractor. Fillers and stoppings are to be suitable for use with the material being filled or stopped and to the approval of the Department.

PREPARATORY WORK: — All new and existing surfaces are to be thoroughly dry and are

to be cleaned of all dust, dirt, grease, oil, rust, scale, efflorescence, fungus, loose or flaking material, etc. rubbed down, stopped, filled, knotted and sanded smooth as required in accordance with the paint manufacturer's recommendations and to the approval of the Department prior to the application of paint, etc.

Ceilings are to have nail heads, including those to cornices and cover strips, primed and stopped up as necessary and rubbed down smooth.

Asbestos cement shall be primed with an approved alkali resistant primer before the application of subsequent coats which are not, in themselves, alkali resistant.

Iron, steel and other ferrous metals shall be cleaned in accordance with SANS Code of Practice 064 to remove rust, scale, grease, oil, etc. and the surface brought to a bright metallic condition.

Galvanized iron and zinc shall be cleaned in accordance with SANS Code of Practice 062 to remove the manufacturer's temporary protective coating, white rust, etc.

Other non-ferrous metals shall be thoroughly cleaned to remove all milling oils, temporary protective coatings, etc. and the surface abraded with fine water-paper and white spirit.

Woodwork to be painted shall have all knots and resinous areas treated with an approved knotting, the surface shall then be primed and all holes, etc. stopped and rubbed down smooth,

Woodwork to be oiled, stained, varnished, etc. shall be free of all stains, pencil marks and other surface discolorations and all holes, etc. stopped with tinted stopping and rubbed down smooth.

In preparing existing glazed sashes and sash doors, all loose putty is to be removed, the rebates primed and glass re-sprigged and re-puttied as necessary before the painting is commenced.

Previously distempered or lime washed surfaces to receive any other type of paint, are to have the existing distemper or lime wash completely removed by scraping or wire brushing and the surfaces treated with an approved bonding liquid.

Where existing paint film are in good condition any flaking or bared patches are to be properly feathered into the surrounding paint and spot primed as necessary.

Where existing paint films are in poor condition and require to be removed completely, they are to be removed by means of wire brushing, paint remover, burning off, or other approved method. Paint removers shall be free of wax and caustic substances and shall preferably be of water rinseable type. When burning off paint from wood, care must be taken to avoid charring the wood.

The final state of preparatory work to existing decorated surfaces shall in all cases produce in the finished decorated surfaces a condition similar to new work.

The Contractor will be held responsible for the proper and adequate preparation of the surfaces and any work which fails to meet the manufacturer's recommendations must be made good at the Contractor's expense to the satisfaction of the Department.

APPLICATION OF PAINTS, ETC.: — Painting may be carried out by brush, roller or spray as recommended by the manufacturer and to the approval of the Department. All paints, etc. are to be applied in strict accordance with the manufacturer's instructions. Each coat of paint is to be adequately and permanently keyed onto the previous coat or surface and shall be evenly distributed and continuous and shall dry to a smooth film, free from sags, runs or other imperfections. Each coat of paint is to be of a colour distinctive from previous or succeeding coats.

All painting must be done in accordance with a colour scheme which will be provided by the Department, and rates for painting etc. are to include for all cutting in of contrasting colours and masking as required. No distinction has been made where more than one colour of the same material is required on the walls or ceiling of the same room.

Samples of colours for the final coats are to be prepared in all cases to the approval of the Department and all work must be finished to the approved colours.

Backs of wood door and similar frames on the surfaces of other new or prefixed joinery in contact with brickwork, etc. and built in as the work proceeds, shall be primed or sealed before building in to prevent moisture seeping into the wood from the mortar bedding.

Tongued and grooved and rebated edges of boards in batten doors and other such like inaccessible parts of new joinery shall, before assembly, be primed, or where the joinery is to receive a finish other than paint, be given one coat of such other finishing material.

All new external structural timbers shall be primed before the timbers are fixed in position and shall include all surfaces such as backs of fascias and barge boards.

RATES: — Rates for painting, etc. are to include for all preparatory work, and where spraying is employed, are to include or adequately masking all surrounding areas.

Where diameters of pipes are stated these are the nominal internal diameters, and rates for painting pipes are to include for painting the holderbats, hangers, clips, etc. supporting the pipes.

Rates are to include for providing all necessary dust sheets, covers, etc. taking all necessary precautions to prevent marking the surfaces of joinery, walls, floors, glass, electrical fittings, etc. All surfaces disfigured or otherwise damaged shall be completely renovated or replaced as necessary to the approval of the Department at the Contractor's own expense.



health

Department:
Health
PROVINCE OF KWAZULU-NATAL

DIRECTORATE: NDWEDWE CHC

Physical Address: P100 Main road, Ndwedwe Central, 4342
Postal Address: Private Bag X 528, Ndwedwe, 4342
Tel: 032 532 3048 Fax: 032 532 3628 Email: Xolani.Dlamini2@kznhealth.gov.za

MAINTENANCE DEPARTMENT

**PROVINCE OF KWAZULU-NATAL
DEPARTMENT OF HEALTH**

**ZNQ –
NDWEDWE CHC -
Remove ,Supply & install poles &light fittings**

SCHEDULE OF RATES

4.1 ITEMS AND PRICING

The Department reserves the right to place an order for any quantities of items included in the Schedules. The Schedule of Rates must also not be assumed to include and describe every detail of the supply requirement, but must be taken and read in conjunction with the other parts of the document. Thus the supplier shall not have claim for further payment in respect of any order which may be described or implied in the contract, although apparently no corresponding items are given in the Schedule of Rates. The supplier shall be deemed to have satisfied himself before quoting as to the correctness and sufficiency of his quote for the contract and of the rates and prices stated in the Schedule of Rates.

4.2 TAX AND DUTIES

Prices, quoted and paid, must include all customs, excise and import duties, and any other tariffs or taxes levied by the government or statutory body having jurisdiction on the goods provided under this contract, **including Value Added Tax (applicable to the current rate).**

3.3 RATES

Except where provision is made in the Schedule of Rates, the rates and prices inserted shall be the full rates and prices for the service delivered described under the respective items and shall cover all labor, transport, overhead charges and profit, etc. as well as the general liabilities, obligations and risks arising out of the Conditions of Contract, the overhead charges and profit being spread proportionately over the rates of the relative items in the Schedule of Rates.

For all floor coverings are to include for laying as described, for cleaning down backing surfaces before laying and for all square and ranking cutting and waste and fitting, fair edges where no skirting occur, protection from injury and for cleaning down etc. as described at completion.

Rates for all finings are to include for lying as described, cleaning down backing surfaces before laying, sizing backing surfaces if necessary to ensure proper adhesion, all square and raking cutting and waste and fitting, fair etc. as described at completion.

Rates for skirting, stair nosing, edging strips, etc. are to include for fixing as described, cutting to lengths, and fitting at intersections, miters, ends, etc. and for cleaning down at comp an

NO		IT		R	c	R	-	c
	<p>All items to be priced fully inclusive of all charges e.g. labour, plan, profit etc. but excluding Value added tax</p> <p>Contractors are advised to visit site to acquire them with site and lay out of the institution premises during the contract is not allowed & arrangements for accommodation will have to be allowed for. all items are subjected to re-measure</p> <p>Tenders are referred to the project specifications for full description of materials, etc. to be used .all works shall be done strictly accordance with the specification & leave in perfect working order after completion</p>	No						
1	<p>Allow to hire or employ a local residential citizen. That will help to open up job opportunities for a community of the area it's a mandatory (while you are conducting service)</p>							
2	<p>Tenderer must allow improvising in connection with acquiring the services of the accredited Safety, Health and environment Consultant to prepare safety plan, risk assessment schedule and do regular inspections for the duration of the contract in compliance with Occupational and Safety act. (Assessment to be forwarded to Department of Health Occupational Health and Safety in Natalia.) Tenderer will not be allowed to start work without submission of Safety Plan</p>							
3	<p>No contractor will be awarded without this following below item</p> <p>NB!!!!</p> <p><u>Allow removal & installation to be done</u> <u>By a skulled service provider artisan or technician,</u> <u>Qualification to be attached to a tender documents</u> <u>For evaluation purpose</u></p> <p>Attach valid tax clearance certificate BEE certificate proof of registration to CSD CIDB Letter of good standing Attach a company grade regarding mechanical & electrical A company must improvise profile of a previous work in health department if not attached an approved certificate.</p>							
		No	item					

Item No	Description	Qty	Rate	Amount
	<p><u>BILL NO. 1</u></p> <p>Earth works <u>Alterations</u></p> <p>The Tenderer is referred to the relevant clauses in the Specification of Materials and Methods to be used PW371, the Supplementary Preambles and Notes.</p> <p>1. Remove existing wooden street light poles .</p> <p>2 Remove existing paving</p> <p>Carried to Collection Alterations</p>	<p>0.8</p> <p>4m square</p>	<p>R</p>	

ITEM NO	DESCRIPTION:	UNIT	QTY	RATE/UNIT		TOTAL	
				R	c	R	c
	<u>Bill no2</u> <u>Earthworks</u> For preamble see standard preambles to all trades w20 <u>Excavation trench including wheeling not exceeding 50m & dumping for re-use or removal later</u>						
03	Excavate for 1m but not exceeding 4m deep	No	30 m cubic				
04	<u>Risk of collapse of excavation</u> Risk of collapse to sides of trench ect. Excavation exceeding 1,5m not exceeding 3m deep		30m cubic				
05	<u>Keeping excavation free of water</u> Keep excavation free from water						
06	<u>Filing ETC</u> <u>Earth filling obtained from the excavations & or prescribes stock piles on site compacted to 90% ModAASHTO destiny</u> Backfilling to excavation trenches, holes		30m cubic				
07	<u>Water proofing</u> Preambles For preambles refer to standard to all trades W20-1986 Supplementary preambles prices In addition prices for all water proofing are to include for all cutting, sealing & protection against injury. All work to be left completely watertight at completion Damp proofing of walls & floors Sika cemflex acrylic fabric waterproofing On walls of excavation holes		30m cubic				
20			Item				
21			Item				
	CARRIED TO COLLECTION SUMMARY	PS 2		R		R	

ITEM NO	DESCRIPTION: Remove ,Supply & install poles &light fittings	UNIT	QTY	RATE/UNIT		TOTAL	
				R	c	R	c
12	allocated at NDWEDWE CHC <u>Supply & install A FOLLOWING MATERIAL</u> 1. BEKA poles (4,5m) 3,5m mounting height mineral grey 2. Baseplates ass 300x300x1,6 HDG 3. CBI circuit breaker 5a 5kva 4.glandplates ASS GP/2/0/E/TB/MC(SMALL-UP TO5M MH) 5. ZELA 37/CW/SYAV76DGR 1 NC LED POST TOP REPLACING 125W MV 6. A quality bevel bond paver corobrik brick paves red & charcoal 80mm (size 200x100x80mm)& paving around each pole matching an existing one 50mmx50mm per pole Prepare it by laying sand soil & cement finishing also Paving joint sand Supply & install 4mm ECC cable 3 core	No	10 10 10 10 10 10 30m				
17	Tenderer is advised that <u>A Certificate of compliance must</u> be issued to the Department after installation. No payment to be processed without Certificates. Tenderer is advised that all stages to be approved by <u>Artisan Superintendent/Artisan Electrician.</u>						
18	<u>Opening Up of Existing Cables</u> Where it is necessary to expose existing buried cables for any purpose or to chase in the vicinity of existing cables, pipes electric wires etc every care is to be exercised and only staff experience in such work, and duly warned by the contractor, shall be employed thereon						
19	Allow12 months guarantee		Item				
20	R 1 500.00 (ONE THOUSAND FIVE HUNDRED RANDS) PER DAY WILL BE CHARGED, FROM DAY I (ONE) AFTER CONTRACT EXPIRED		Item				
21	TENDERES ARE ADVISED THAT ANY WORK DONE NOT UP SATISFACTORY OF THE DEPARTMENT, TENDERER MUST RE-DO WORK AT OWNNER'S EXPENSE.		Item				
	CARRIED TO COLLECTION SUMMARY	PS 2		R		R	

PROVINCE OF KWAZULU-NATAL
DEPARTMENT OF HEALTH



health

Department:
Health
PROVINCE OF KWAZULU-NATAL

DIRECTORATE: NDWEDWE CHC

Physical Address: P100 Main road, Ndwedwe Central, 4342
Postal Address: Private Bag X 528, Ndwedwe, 4342
Tel: 032 532 3048 Fax: 032 532 3628 Email: Xolani.Dlamini2@kznhealth.gov.za

MAINTENANCE DEPARTMENT

COLLECTION SUMMARY

Institution Ndwedwe

**Project description:
Remove ,Supply & install
poles &light fittings**

NOTE:

THIS COLLECTION SUMMARY MUST BE COMPLETED IN FULL BY THE CONTRACTOR
AND RETURNED TOGETHER WITH THE QUOTATION FORM

BILL	<u>FINAL SUMMARY</u>	PAGE NO.	AMOUNT
1	Remove ,Supply & install poles &light fittings		
2	Contingencies@10%		
	Sub Total		
	Value Added Tax@15%		
	Carried to Form of Tender		

ZELA
LED

UNIVERSITY OF T WITWATERSRAND

UNIVERSITY OF T WITWATERSRAND

VISITORS

27 ST AN

ROAD

BEKA S
Schréder

ORDERING DATA

DESCRIPTION	LINE CURRENT (A)	LEDS	LED CURRENT (mA)	LUMEN	MASS (KG)
ZELA 19W	0.09	8	700	2 163	4.9
ZELA 27W	0.12	12	700	3 245	4.9
ZELA 37W	0.16	16	700	4 326	4.9
ZELA 55W	0.24	24	700	6 490	4.9

Standard colour: AKZO 900 grey, Textured finish
 Light Grey (RAL 7047), Textured finish
 Standard CCT: Neutral white (4000K)
 Standard photometric distribution: Symmetrical

OPTIONS

ELECTRICAL	
Switching control	Daylight switch
Correlated colour temperature	Warm white (3000K)
MECHANICAL	
Protector	Polycarbonate Police version
Spigot	Ø60mm
Colour	Mid Brunswick (RAL 6005), Textured finish
	Black (RAL 9017), Textured finish
	White (RAL 9003), Textured finish
	Sandstone (RAL 1001), Textured finish
	Any RAL colour, Matt finish
	Any RAL colour, Brilliant finish
	Any RAL colour, Textured finish
PHOTOMETRICS	
Photometric distribution	Asymmetrical



Copyright © BEKA Schröder (Pty) Ltd 2027 - 13 West View Road - P.O. Box 120 - Olifantsfontein - 1665 - South Africa. The information, descriptions, and illustrations herein are of only an indicative nature. Due to advanced developments, we may be required to alter the characteristics of our products without notice. All these may affect different manufacturers according to the requirements of individual countries, we invite you to consult us.

Designed and manufactured by BEKA Schröder (Pty) Ltd - South Africa
 Manufacturers of Luminaires and Glass Fibre Poles



02/18



BEKA Schröder (Pty) Ltd | 13 West View Road | P.O. Box 120 | Olifantsfontein | 1665 | South Africa
 T: +27 11 238 0000 | F: +27 11 238 0180
 info@beka-schreder.co.za | www.beka-schreder.co.za

ZELA



Symmetrical



Asymmetrical



CHARACTERISTICS - LUMINAIRE

Optical compartment tightness level:	IP 66 ^(*)
Electronic compartment tightness level:	IP 66 ^(*)
Impact resistance (polycarbonate):	IK 08 ^(**)
Aerodynamic resistance (CxS):	0.082m ²
Mounting height:	3-6m
Nominal voltage:	198-264V - 50Hz
Electrical class:	I or II ^(*)
Operating temperature (T ₃):	-35°C to +35°C
Weight:	4.9kg
Standard colour:	AKZO 900 grey, Textured finish; Light Grey (RAL 7047), Textured finish

LED light sources

Correlated colour temperature (CCT):	Neutral white (4000K, CRI ≥70)
Wattage:	19W - 55W
Flux:	2163lm - 6490lm

Materials

Top cover:	Acrylonitrile styrene acrylate (ASA)
Base and gear plate:	High-pressure die-cast aluminium
Protector:	High-impact acrylic

^(*) according to SANS 60598

^(**) according to SANS 62262

APPLICATIONS

- Group B road lighting
- General area lighting
- Parks and gardens
- Security lighting

KEY ADVANTAGES

- Cost-effective lighting solution for creation of ambiance
- Elegant design for low height installation
- IP 66 tightness level for long lasting performance
- Surge protection 10kV/10kA
- Designed to replace HID post top luminaires (up to 100W HPS)
- Provides energy savings of up to 70%
- Low glare lighting

CONSTRUCTION DETAILS

This post top luminaire provides a new contemporary design for a well-known shape using state-of-the-art LED technology. It consists of a high-pressure powder-coated die-cast aluminium base and gear plate, a top cover made of ASA and a high-impact acrylic protector.

The luminaire emits a pleasant, glare-free light due to the highly efficient white reflector (symmetrical light distribution). A faceted mirror reflector is available as an option (asymmetrical distribution).

The complete luminaire is sealed to IP 66.

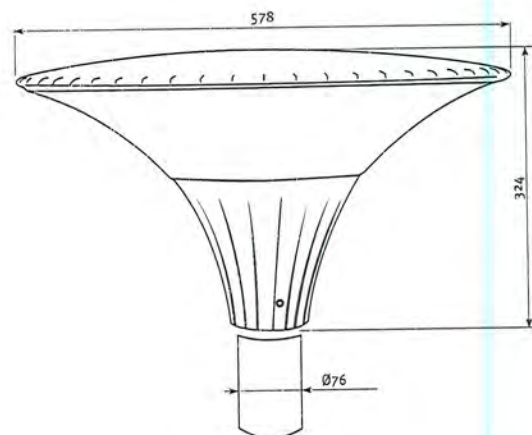
Electronic temperature monitoring prevents overheating of LEDs and power supply, positioned directly next to LEDs (ThermiX[®]).

The luminaire is power factor corrected to ≥0.95.

OPTIONS

- Warm white (3000K)
- Ø60mm Spigot
- Daylight switch
- Asymmetrical light distribution
- Polycarbonate protector
- Police version protector

DIMENSIONS IN MM



APPLICATIONS

The post top luminaire was developed for the decorative lighting of Group B roads, general area lighting, parks and gardens, where energy saving, low maintenance and precise light control considerations are important factors. It emits a pleasant, glare-free light, making it the perfect luminaire for architectural spaces.



Area lighting



Residential street lighting



Narrow streets

PHOTOMETRY

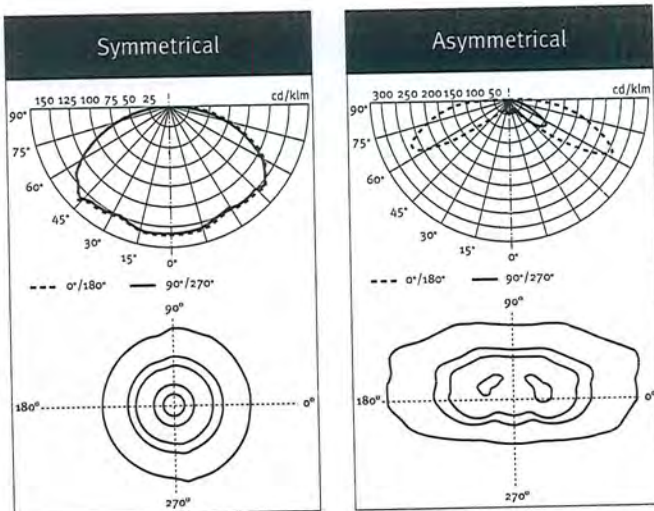
OVERVIEW						Lifetime residual flux @ T_a 25°C ^(*)
Number of LEDs	Neutral white (4000K)	8 LEDs	12 LEDs	16 LEDs	24 LEDs	@100.000h
LED Current: 700mA	Nominal flux (lm)*	2163	3245	4326	6490	70%
	Power consumption (W)	19	27	37	55	

^(*) The nominal flux is an indicative LED flux @ T_a 25°C based on LED manufacturer's data. The real flux output of the luminaire depends on environmental conditions (e.g. temperature and pollution) and the optical efficiency of luminaire.

The type of LED used is subject to change due to the ongoing rapid progress taking place in LED technology.

^(**) In accordance with LM-80 – TM-21

LIGHT DISTRIBUTIONS



Electronic data files can be downloaded from www.beka-schreder.co.za/knowledge-base