

# Quotation Advert

**Opening Date:** 2019-09-06

**Closing Date:** 2019-09-12

**Closing Time:** 11:00

## INSTITUTION DETAILS

**Institution Name:** Catherine Booth hospital

**Province:** KwaZulu-Natal

**Department or Entity:** Department of Health

**Division or section:** Central Supply Chain Management

**Place where goods / services is required** Catherine Booth Hospital

**Date Submitted** 2019-09-03

## ITEM CATEGORY AND DETAILS

**Quotation Number:** ZNQ:  
272/19-20

**Item Category:** Goods

**Item Description:** SUPPLY AND install extractor fans and ceiling fans

**Quantity (if supplies)** 15

## COMPULSORY BRIEFING SESSION / SITE VISIT

**Select Type:** Select...

**Date :**

**Time:**

**Venue:**

**QUOTES CAN BE COLLECTED FROM:** Downloaded from department website

**QUOTES SHOULD BE DELIVERED TO:** CATHERINE BOOTH HOSPITAL, KWAKHOZA RESERVE, AMATIKULU, 3801

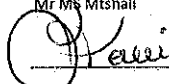
## ENQUIRIES REGARDING THE ADVERT MAY BE DIRECTED TO:

**Name:** Ms Nomusa NS Zulu

**Email:** nomusa.zulu@kznhealth.gov.za

**Contact Number:** 035 474 8407

**Finance Manager Name:** Mr MS Mtshali

**Finance Manager Signature:** 

*PIP*

No late quotes will be considered



ARE YOU THE ACCREDITED REPRESENTATIVE IN SOUTH AFRICA FOR THE GOODS / SERVICES / WORKS OFFERED? [IF YES ENCLOSE PROOF]

OFFICIAL PRICE PAGE FOR QUOTATIONS

SIGNATURE OF BIDDER ..... DATE.....  
 [By signing this document I hereby agree to all terms and conditions]

CAPACITY UNDER WHICH THIS QUOTE IS SIGNED.....

Item No	Quantity	Description	Brand & model	Country of manufacture	Price	
					R	c
		SUPPLY AND INSTALL				
1	13	EXTRACTOR FANS IN OPD & MDR DEPARTMENTS (266m/h)				
2	2	CEILING FANS,4 BLADES,1200mm,3 SPEED CONTROLS,WITH REVERS FUNCTION				
		ALL MATERIALS TO BE SABS APPROVED				
		SEE ATTACHED SPECIFICATION				
		RETURN QUOTE : nompelelo.zulu@kznhealth.gov.za 086 248 0976				
		ALL CONTRACTORS QUOTING ON SERVICES AND REPAIRS SHALL HAVE A CIDB RATING OF 1-CE,1-EE,1-GB,OR 1-ME				
		DOCUMENTS REQUIRED: VALID TAX CLEARANCE CERTIFICATE VALID BBBEE CERTIFICATE LEVEL 1 OR ABOVE CSD FULL SUMMARY REPORT NB:FAILURE TO COMPLY WITH THE ABOVE WILL RESULT IN YOUR BID BEING PASSED OVER				
VALUE ADDED TAX (Only if VAT Vendor)						
TOTAL QUOTATION PRICE (VALIDITY PERIOD 60 Days)						

Does This Offer Comply With The Specification?	Does The Article Conform To The S.A.N.S. / S.A.B.S. Specification?
Is The Price Firm?	State Delivery Period E.G. E.G. 1day, 1week

Enquiries regarding the quote may be directed to: Contact Person: ..... Tel:.....	Enquiries regarding technical information may be directed to: Contact Person: ..... Tel:.....
--	--



Reference number: .....

Date: .....

Specification:

Supply and install window type extractor fans in OPD and MDR-TB rooms.

Conditions of the work:

Period of the work:

The repair needs to be done in 2 (two) weeks.

Scope of the work:

- Install window type extractors with 266m<sup>3</sup>/h capacity in OPD consulting rooms x 4, and 2 x in the treatment room and x 7 in the MDR-TB rooms.
- Install 1200mm, 4 blade roof fans in MDR-TB consulting rooms.
- All electrical installations to be done in accordance with SABS- 0142 electrical regulations.

Description of the work:

Description of the work	Unit	Qty	Rate	Amount
Install extractor fans with 266m <sup>3</sup> /h operating perimeters in OPD consulting rooms and in the treatment room	each	6		
Install extractor fans with 266m <sup>3</sup> /h operating perimeters in MDR-TB rooms	each	7		
Remove a window glass; install clear perspex with the extractor fan installed into the sheet, into the opening. Care must be taken to ensure the window is secure.	each	15		
Connect the electrical supply to the lights in the consulting rooms	each	15		
Install isolating switch on a 50mm x100mm extension box, to switch the extractor on when needed.	each	15		
Install 4 blades, 1200mm, 3 speed controls, with reverse function, sealed top and bottom bearings, roof fan white in colour to two rooms in the MDR-Tb consulting rooms.	each	2		
Fan control switch to install next to room light switch.	each	2		
Fan mounting to be on solid roof beams as building have suspended ceilings.	each	2		
All electrical work to be done accordingly to SABS 0142 electrical regulations.				
<b>Total</b>				

Service/ repair/ and installation, instructions to all contractors.

- The Appointed contractors shall report to the Maintenance department for instructions, before starting with the requested work.

Service schedules.

- Completed service schedules to be handed in at maintenance department, before payments will be done.

After service reports.

- After services are completed, the contractor shall hand in a complete after service report on the condition of serviced items, before payments will be done



# GX Range - Window / Surface Wall Fans

## Key Features

**Application:** Pubs, restaurants, offices, kitchens, factories, schools and shops.

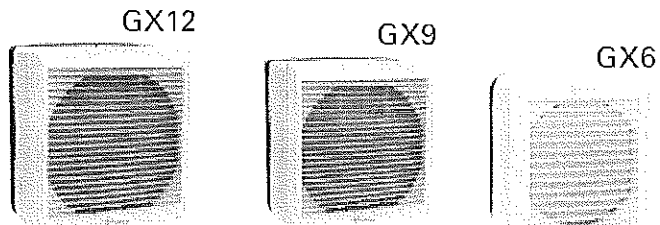
**Control options:** Extensive range of optional controllers available.

**Hole diameter:** 184mm (GX6 window)

**With wall kit:** 203mm (GX6 wall)  
257mm (GX9 window)

**With wall kit:** 266mm (GX9 wall)  
324mm (GX12 window)

**With wall kit:** 330mm (GX12 wall)



## XPELAIR GX6

The Xpelair GX6 models are designed for use in kitchens and utility rooms and can be window or panel mounted. Bathroom surface wall mounted using optional extra long ladder strips. (2 for GX6, 3 for GX9, 4 for GX12).

A tamper-proof positive plug and socket assembly provides a means of isolation for service access.

Installation in a 25mm window or panel using standard metal ladder strips.

If installed in panels or walls thicker than 25mm, then use GXL20/50 extended ladder strips to enable connection of outer grille to inside of fan.

Both the GX9 and GX12 models are reversible and feature a totally enclosed external rotor motor providing constant volume outputs, even in gusty weather.

Pre-balanced impellers eliminate "fan judder" and ensure quiet trouble free operation. Sealed for life maintenance free bearings ensure suitability for running at any angle. Running costs are impressively low, and when not in use the silent electro-thermal shutter cassette closes silently against backdraughts.

All models are and suitable for 220V-240V 50Hz mains operation.

Class B insulation for operation in ambient temperatures up to 40°C and are fitted with a thermal cut out.

## Specifications

	GX6	GXC6	GX6GS2	GX9	GXC9	GX9ES	GX9GS	GX12
UK reference number:	90800AW	90850AW	92275AW	89994AW	89995AW	92635AW	92509AW	90012AW
Remote switch (supplied separately):	X	-	X	X	-	X	X	X
Integral pullcord:	-	X	-	-	X	-	-	-
Extract performance (m³/h) high:	266	266	266	636	620	567	520	1546
Extract performance (m³/h) low:	-	-	-	546	-	-	-	1091
Extract performance (l/s) high:	74	74	74	171	145	158	144	429
Extract performance (l/s) low:	-	-	-	151	-	-	-	303
Hole diameter (mm) window mount:	184	184	184	257	257	257	257	324
Hole diameter (mm) wall mount: (with wall kit)	203	203	203	266	266	266	266	330
Sound pressure level (dB (A)@3m) high:	37	37	37	50	44	44	48	55
Sound pressure level (dB (A)@3m) low:	-	-	-	48	-	-	-	50
Electrical power rating (W):	30	30	30	41	32	45	42	85
Weight (kg):	1.9	1.9	1.9	4	4	3.7	3.7	7.9



## GX Range - Window / Surface Wall Fans

### Differences In Models

**GX6**  
Ref. 90800AW

- Automatic shutters.
- Connect to light switch or separate On/Off switch.
- Cannot be used with speed controller.

**GXC6**  
Ref. 90850AW

- Pullcord switches fan On/Off and opens shutter.
- Extract only.

**GX6 GS2**  
Ref. 92275AW

- Air operated shutters.
- Connect to light switch or separate On/Off switch.

**GX9**  
Ref. 89994AW

- Variable speed use with EC6.
- 2 Speed if used with FR22/30 controller.
- Automatic shutter.
- Intake & extract.
- Connect to light switch or separate On/Off switch.

**GXC9**  
Ref. 89995AW

- Single speed.
- Pullcord switches fan On/Off and opens shutter.
- Extract only.

**GX9 ES**  
Ref. 92635AW

- Automatic shutter.
- Extract only.
- Single Speed.
- Cannot be used with speed controller.

**GX9 GS**  
Ref. 92509AW

- Single speed.
- Air operated shutter.
- Extract only.
- Cannot be used with speed controller.

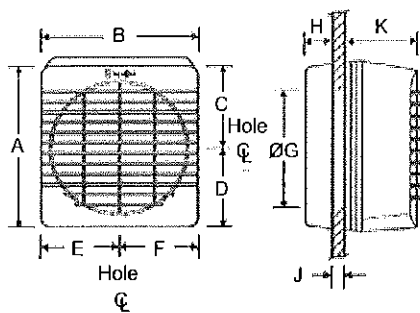
**GX12**  
Ref. 90012AW

- Variable speed use with EC6.
- 2 Speed if used with FR22/30 controller.
- Connect to light switch or separate On/Off switch.
- Intake & extract.
- Automatic shutter.

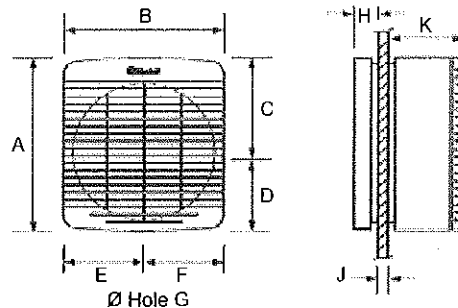
# GX Range - Window / Surface Wall Fans

## Dimensions (mm)

6" Range

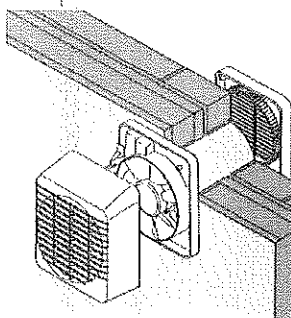


9" & 12" Range

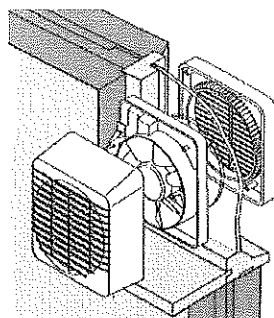


Model:	A	B	C	D	E	F	G	H	J	K
6"	226	210	119	107	109	101	184/203	32	4-25	112
9"	312	294	165	147	147	147	257/266	32	4-25	117
12"	408	380	216	192	190	190	324/3300	34	4-25	161

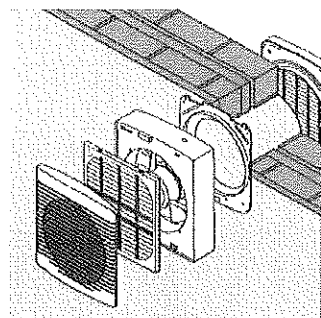
## Installation and Accessories



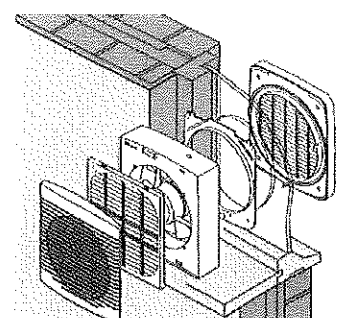
6"  
Wall mounting



6"  
Window mounting



9" & 12"  
Wall mounting



9" & 12"  
Window mounting

6.

**Hole diameter:**

- 184mm dia. if used with ladder strips.
- 203mm dia. if used with WK6/11 wall kit.

9.

**Hole diameter:**

- 257mm dia. if used with ladder strips.
- 266mm dia. if used with WK9/11 wall kit.

12.

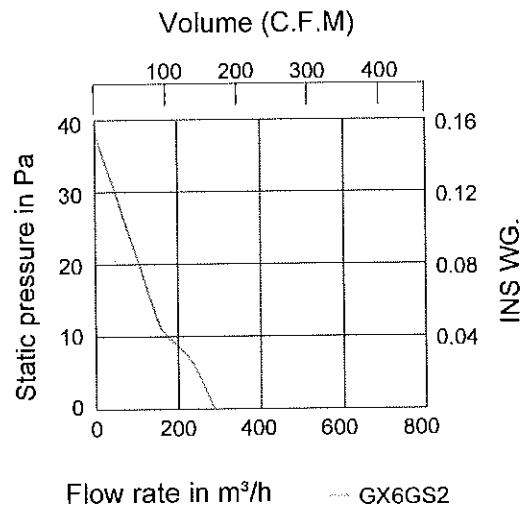
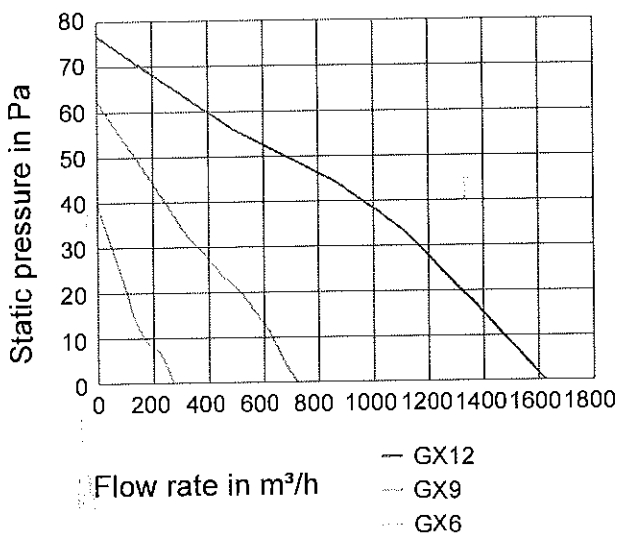
**Hole diameter:**

- 324mm dia. if used with ladder strips.
- 330mm dia. if used with WK12/11 wall kit.

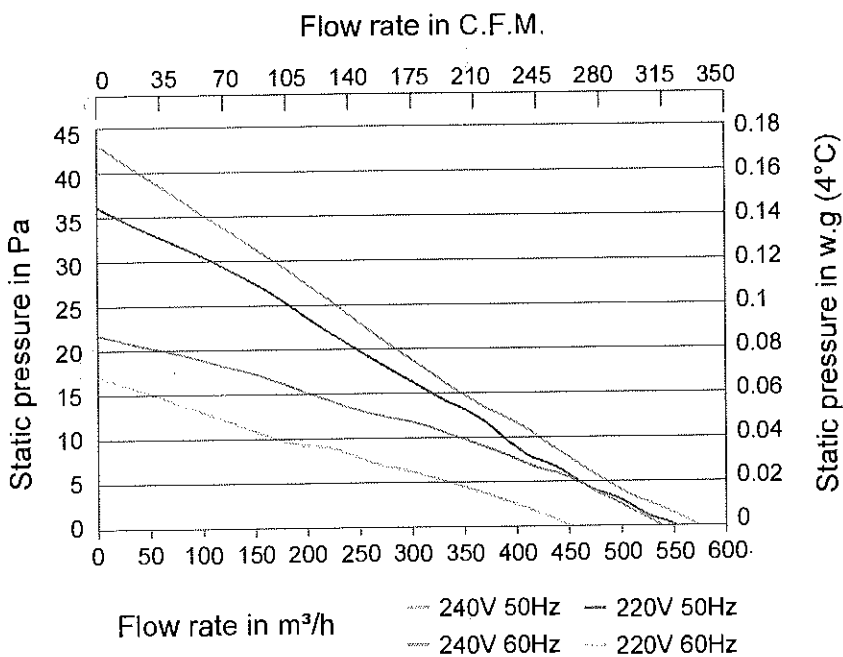


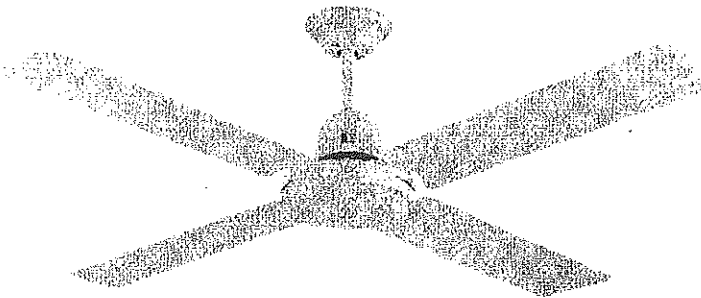
# GX Range - Window / Surface Wall Fans

## Performance



Performance Curve for GX9ES fan at various operating conditions.



**High-Performance Fans - Clipsal by Schneider Electric****Robust and Stylish****Designed to stand the test of time****Features and Benefits**

- Energy-efficient
- Three- or four-blade designs
- White or metallic finishes
- 900mm (36"), 1200mm (48") and 1400mm (56") models
- Three-speed controller
- Easily accommodates lighting
- Sealed top and bottom bearings
- Reversing switch to modify airflow and maximise winter heating
- Conveniently pre-wired and part-assembled
- Three-year warranty

### **The reverse switch**

Clockwise in winter and anticlockwise in summer. By reversing the direction of the fan blades in winter, you'll be able to draw cool air up and forces warm air down into your living space. Then, you can turn your heating down and save on your energy bills.



LB

**Fans built to last**

Aluminium blades provide additional protection in harsh environments, such as coastal regions and areas of high humidity.

**DECLARATION OF INTEREST**

1. Any legal person, including persons employed by the state<sup>1</sup>, or persons having a kinship with persons employed by the state, including a blood relationship, may make an offer or offers in terms of this invitation to quote (includes a price quotation, advertised competitive quote, limited quote or proposal). In view of possible allegations of favouritism, should the resulting quote, or part thereof, be awarded to persons employed by the state, or to persons connected with or related to them, it is required that the bidder or his/her authorised representative declare his/her position in relation to the evaluating/adjudicating authority where-
  - the bidder is employed by the state; and/or
  - the legal person on whose behalf the bidding document is signed, has a relationship with persons/a person who are/is involved in the evaluation and or adjudication of the quote(s), or where it is known that such a relationship exists between the person or persons for or on whose behalf the declarant acts and persons who are involved with the evaluation and or adjudication of the quote.
2. In order to give effect to the above, the following questionnaire must be completed and submitted with the quote.

- |  |   |
|--|---|
| 2.1. Full Name of bidder/representative.....                                 | 2.4. Company Registration Number: ..... |
| 2.2. Identity Number: .....  | 2.5. Tax Reference Number: .....        |
| 2.3. Position occupied in the Company (director, trustee, shareholder?)..... | 2.6. VAT Registration Number: .....     |

- 2.7. The names of all directors / trustees / shareholders / members, their individual identity numbers, tax reference numbers and, if applicable, employee / persal numbers must be indicated in paragraph 3 below. [TICK APPLICABLE]
- 2.8. Are you or any person connected with the bidder presently employed by the state? YES  NO
- 2.8.1. If so, furnish the following particulars:
  - Name of person / director / trustee / shareholder/ member: .....
  - Name of state institution at which you or the person connected to the bidder is employed:.....
  - Position occupied in the state institution: ..... Any other particulars:.....
- 2.8.2. If you are presently employed by the state, did you obtain the appropriate authority to undertake remunerative work outside employment in the public sector? YES  NO

- 2.8.2.1. If yes, did you attach proof of such authority to the quote document?  
 (Note: Failure to submit proof of such authority, where applicable, may result in the disqualification of the quote.)
- 2.8.2.2. If no, furnish reasons for non-submission of such proof: .....

- 2.9. Did you or your spouse, or any of the company's directors / trustees / shareholders / members or their spouses conduct business with the state in the previous twelve months? YES  NO
- 2.9.1. If so, furnish particulars:.....
- 2.10. Do you, or any person connected with the bidder, have any relationship (family, friend, other) with a person employed by the state and who may be involved with the evaluation and or adjudication of this quote? YES  NO
- 2.10.1. If so, furnish particulars:.....
- 2.11. Are you, or any person connected with the bidder, aware of any relationship (family, friend, other) between any other bidder and any person employed by the state who may be involved with the evaluation and or adjudication of this quote? YES  NO
- 2.11.1. If so, furnish particulars:.....
- 2.12. Do you or any of the directors / trustees / shareholders / members of the company have any interest in any other related companies whether or not they are bidding for this contract? YES  NO
- 2.12.1. If so, furnish particulars:.....

**3. Full details of directors / trustees / members / shareholders.**  
 NB: The Department Of Health will validate details of directors / trustees / members / shareholders on CSD. It is the suppliers' responsibility to ensure that their details are up-to-date and verified on CSD. If the Department cannot validate the information on CSD, the quote will not be considered and passed over as non-compliant according to National Treasury Instruction Note 4 (a) 2016/17.

**4 DECLARATION**

I, THE UNDERSIGNED (NAME).....CERTIFY THAT THE INFORMATION FURNISHED IN PARAGRAPHS 2.  
 I ACCEPT THAT THE STATE MAY REJECT THE QUOTE OR ACT AGAINST ME SHOULD THIS DECLARATION PROVE TO BE FALSE.

.....	.....	.....	.....
Name of bidder	Signature	Position	Date

<sup>1</sup>"State" means -  
 a) any national or provincial department, national or provincial public entity or constitutional institution within the meaning of the Public Finance Management Act, 1999 (Act No. 1 of 1999);  
 b) any municipality or municipal entity;  
 c) provincial legislature;  
 d) national Assembly or the national Council of provinces; or  
 e) Parliament.

<sup>2</sup>"Shareholder" means a person who owns shares in the company and is actively involved in the management of the enterprise or business and exercises control over the enterprise.

**SPECIAL CONTRACT CONDITIONS OF QUOTATIONS**

**1. AMENDMENT OF CONTRACT**

1.1. Any amendment to or renunciation of the provisions of the contract shall at all times be done in writing and shall be signed by both parties.

**2. CHANGE OF ADDRESS**

2.1. Bidders must advise the Department of Health (institution where the offer was submitted) should their address (*domicilium citandi et executandi*) details change from the time of bidding to the expiry of the contract.

**3. GENERAL CONDITIONS ATTACHED TO THIS QUOTATION**

- 3.1. The institution is under no obligation to accept the lowest or any quote.
- 3.2. The price quoted must include VAT (if VAT vendor). However, it must be noted that the department reserves the right to evaluate all quotations excluding VAT as some bidders may not be VAT vendors.
- 3.3. The bidder must ensure the correctness & validity of quote:
  - (i) that the price(s), rate(s) & preference quoted cover all for the work/item (s) & accept that any mistakes regarding the price (s) & calculations will be at the bidder's risk
- 3.4. The bidder must accept full responsibility for the proper execution & fulfilment of all obligations conditions devolving on under this agreement, as the Principal (s) liable for the due fulfilment of this contract.
- 3.5. This quotation will be evaluated based on the 80/20 points system, specification & correctness of information. All required documentation must be completed in full and submitted.
- 3.6. Offers must comply strictly with the specification.
- 3.7. Only offers that meet or are greater than the specification will be considered.
- 3.8. Late quotes will not be considered.
- 3.9. Expired product/s will not be accepted. All products supplied must be valid for a minimum period of six months.
- 3.10. A bidder not registered on the Central Suppliers Database or verification has failed will not be considered.
- 3.11. All delivery costs must be included in the quote price, for delivery at the prescribed destination.
- 3.12. Only firm prices will be accepted. Such prices must remain firm for the contract period. Non-firm prices (including rates of exchange variations) will not be considered.
- 3.13. In cases where different delivery points influence the pricing, a separate pricing schedule must be submitted for each delivery point.
- 3.14. In the event of a bidder having multiple quotes, only the cheapest according to specification will be considered. Furthermore a verification will be done to identify if bidders have multiple companies and are quoting (cover-quoting) for this bid. In such instances only the cheapest bid according to specification will be considered.

**4. SAMPLES**

- 4.1. In the case of the quote document stipulating that samples are required, the supplier will be informed in due course when samples should be provided to the institution. (This decreases the time of safety and storage risk that may be incurred by the respective institution). The bidders sample will be retained if such bidder wins the contract.
  - (i) If a company/s who has not won the quote requires their samples, they must advise the institution in writing of such.
  - (ii) If samples are not collected within three months of close of quote the institution reserves the right to dispose of them at their discretion.
- 4.2. **Samples must be made available when requested in writing or if stipulated on the document.**
  - (i) If a Bidder fails to provide a sample of their product on offer for scrutiny against the set specification when requested, their offer will be rejected. All testing will be for the account of the bidder.

**5. COMPULSORY SITE INSPECTION / BRIEFING SESSION**

5.1. Bidders who fail to attend the compulsory meeting will be disqualified from the evaluation process.

- (i) The institution has determined that a compulsory site meeting  take place
- (ii) Date \_\_\_\_/\_\_\_\_/\_\_\_\_ Time \_\_\_\_ Place \_\_\_\_\_

Institution Stamp:	Institution Site Inspection / briefing session Official  Full Name: .....  Signature: .....  Date: .....
--------------------	--

**6. STATEMENT OF SUPPLIES AND SERVICES**

6.1. The contractor shall, when requested to do so, furnish particulars of supplies delivered or services executed. If he/she fails to do so, the Department may, without prejudice to any other rights which it may have, institute inquiries at the expense of the contractor to obtain the required particulars.

**7. SUBMISSION AND COMPLETION OF SBD 6.1**

7.1. Should a bidder wish to qualify for preference points they must complete a SBD 6.1 document. Failure by a bidder to provide all relevant information required, will result in such a bidder not being considered for preference point's allocation. The preferences applicable on the closing date will be utilized. Any changes after the closing date will not be considered for that particular quote.

**8. TAX COMPLIANCE REQUIREMENTS**

8.1. In the event that the tax compliance status has failed on CSD, *it is the suppliers' responsibility to provide a SARS pin in order for the institution to validate the tax compliance status of the supplier.*

8.2. In the event that the institution cannot validate the suppliers' tax clearance on SARS as well as the Central Suppliers Database, *the quote will not be considered and passed over as non-compliant according to National Treasury Instruction Note 4 (a) 2016/17.*

**9. TAX INVOICE**

9.1. A tax invoice shall be in the currency of the Republic of South Africa and shall contain the following particulars:

- (i) the name, address and registration number of the supplier;
- (ii) the name and address of the recipient;
- (iii) an individual serialized number and the date upon which the tax invoice is issued;
- (iv) a description and quantity or volume of the goods or services supplied;
- (v) the official department order number issued to the supplier;
- (vi) the value of the supply, the amount of tax charged;
- (vii) the words tax invoice in a prominent place.

**10. PATENT RIGHTS**

10.1. The supplier shall indemnify the **KZN Department of Health** (hereafter known as the purchaser) against all third-party claims of infringement of patent, trademark, or industrial design rights arising from use of the goods or any part thereof by the purchaser.

**11. PENALTIES**

11.1. If the supplier fails to deliver any or all of the goods or to perform the services within the period(s) specified in the contract, the purchaser shall, without prejudice to its other remedies under the contract, deduct from the contract price, as a penalty, a sum calculated on the delivered price of the delayed goods or unperformed services using the current prime interest rate calculated for each day of the delay until actual delivery or performance. The purchaser may also consider termination of the contract.

**12. TERMINATION FOR DEFAULT**

12.1. The purchaser, without prejudice to any other remedy for breach of contract, by written notice of default sent to the supplier, may terminate this contract in whole or in part:

- (i) if the supplier fails to deliver any or all of the goods within the period(s) specified in the contract,
- (ii) if the supplier fails to perform any other obligation(s) under the contract; or
- (iii) if the supplier, in the judgment of the purchaser, has engaged in corrupt or fraudulent practices in competing for or in executing the contract.

12.2. In the event the purchaser terminates the contract in whole or in part, the purchaser may procure, upon such terms and in such manner as it deems appropriate, goods, works or services similar to those undelivered, and the supplier shall be liable to the purchaser for any excess costs for such similar goods, works or services.

12.3. Where the purchaser terminates the contract in whole or in part, the purchaser may decide to impose a restriction penalty on the supplier by prohibiting such supplier from doing business with the public sector for a period not exceeding 10 years.

**FAILURE TO COMPLY WITH ABOVE WILL RESULT IN YOUR QUOTE BEING PASSED OVER.**

## PREFERENCE POINTS CLAIM FORM IN TERMS OF THE PREFERENTIAL PROCUREMENT REGULATIONS 2017

This preference form must form part of all quotes invited. It contains general information and serves as a claim form for preference points for Broad-Based Black Economic Empowerment (B-BBEE) Status Level of Contribution

**NB: BEFORE COMPLETING THIS FORM, BIDDERS MUST STUDY THE GENERAL CONDITIONS, DEFINITIONS AND DIRECTIVES APPLICABLE IN RESPECT OF B-BBEE, AS PRESCRIBED IN THE PREFERENTIAL PROCUREMENT REGULATIONS, 2017.**

### 1. GENERAL CONDITIONS

1.1 The following preference point systems are applicable to all quotes:

- the 80/20 system for requirements with a Rand value of up to R50 000 000 (all applicable taxes included); and

1.2 The value of this quote is estimated to not exceed R50 000 000 (all applicable taxes included) and therefore the 80/20 preference point system shall be applicable.

1.3 Points for this quote shall be awarded for:

- (a) Price; and
- (b) B-BBEE Status Level of Contributor.

1.4 The maximum points for this quote is allocated as follows:

	POINTS
PRICE	80
B-BBEE STATUS LEVEL OF CONTRIBUTOR	20
<b>Total points for Price and B-BBEE must not exceed</b>	<b>100</b>

1.5 Failure on the part of a bidder to submit proof of B-BBEE Status level of contributor together with the quote, will be interpreted to mean that preference points for B-BBEE status level of contribution are not claimed.

1.6 The purchaser reserves the right to require of a bidder, either before a quote is adjudicated or at any time subsequently, to substantiate any claim in regard to preferences, in any manner required by the purchaser.

### 2. DEFINITIONS

- (a) "B-BBEE" means broad-based black economic empowerment as defined in section 1 of the Broad-Based Black Economic Empowerment Act;
- (b) "B-BBEE status level of contributor" means the B-BBEE status of an entity in terms of a code of good practice on black economic empowerment, issued in terms of section 9(1) of the Broad-Based Black Economic Empowerment Act;
- (c) "bid" means a written offer in a prescribed or stipulated form in response to an invitation by an organ of state for the provision of goods or services, through price quotations, advertised competitive bidding processes or proposals;
- (d) "Broad-Based Black Economic Empowerment Act" means the Broad-Based Black Economic Empowerment Act, 2003 (Act No. 53 of 2003);
- (e) "EME" means an Exempted Micro Enterprise in terms of a code of good practice on black economic empowerment issued in terms of section 9 (1) of the Broad-Based Black Economic Empowerment Act;
- (f) "functionality" means the ability of a tenderer to provide goods or services in accordance with specifications as set out in the tender documents.
- (g) "prices" includes all applicable taxes less all unconditional discounts;
- (h) "proof of B-BBEE status level of contributor" means:
  - 1) B-BBEE Status level certificate issued by an authorized body or person;
  - 2) A sworn affidavit as prescribed by the B-BBEE Codes of Good Practice;
  - 3) Any other requirement prescribed in terms of the B-BBEE Act;
- (i) "QSE" means a qualifying small business enterprise in terms of a code of good practice on black economic empowerment issued in terms of section 9 (1) of the Broad-Based Black Economic Empowerment Act;
- (j) "rand value" means the total estimated value of a contract in Rand, calculated at the time of bid invitation, and includes all applicable taxes;



**3. POINTS AWARDED FOR PRICE**

**3.1 THE 80/20 PREFERENCE POINT SYSTEMS**

A maximum of 80 points is allocated for price on the following basis:

$$Ps = 80 \left( 1 - \frac{Pt - P \min}{P \min} \right) \text{ Where}$$

- Ps = Points scored for price of bid under consideration
- Pt = Price of bid under consideration
- Pmin = Price of lowest acceptable bid

**4. POINTS AWARDED FOR B-BBEE STATUS LEVEL OF CONTRIBUTOR**

4.1 In terms of Regulation 6 (2) and 7 (2) of the Preferential Procurement Regulations, preference points must be awarded to a bidder for attaining the B-BBEE status level of contribution in accordance with the table below:

B-BBEE Status Level of Contributor	Number of points (80/20 system)
1	20
2	18
3	14
4	12
5	8
6	6
7	4
8	2
Non-compliant contributor	0

**5. BID DECLARATION**

5.1 Bidders who claim points in respect of B-BBEE Status Level of Contribution must complete the following:

**6. B-BBEE STATUS LEVEL OF CONTRIBUTOR CLAIMED IN TERMS OF PARAGRAPHS 1.4 AND 4.1**

6.1 B-BBEE Status Level of Contributor: = .....(maximum of 20 points)

(Points claimed in respect of paragraph 7.1 must be in accordance with the table reflected in paragraph 4.1 and must be substantiated by relevant proof of B-BBEE status level of contributor.

**7. SUB-CONTRACTING**

(Tick applicable box)

7.1 Will any portion of the contract be sub-contracted?

YES	<input type="checkbox"/>	NO	<input type="checkbox"/>
-----	--------------------------	----	--------------------------

7.1.1 If yes, indicate:

- i) What percentage of the contract will be subcontracted.....%
- ii) The name of the sub-contractor.....
- iii) The B-BBEE status level of the sub-contractor.....

8. Whether the sub-contractor is an EME or QSE

(Tick applicable box)

iv) Specify, by ticking the appropriate box, if subcontracting with an enterprise in terms of Preferential Procurement Regulations, 2017:

YES	<input type="checkbox"/>	NO	<input type="checkbox"/>
-----	--------------------------	----	--------------------------

Designated Group: An EME or QSE which is at least 51% owned by:	EME √	QSE √
Black people		
Black people who are youth		
Black people who are women		
Black people with disabilities		
Black people living in rural or underdeveloped areas or townships		
Cooperative owned by black people		
Black people who are military veterans		
OR		
Any EME		
Any QSE		

9. DECLARATION WITH REGARD TO COMPANY/FIRM

9.1 Name of company/firm:.....

9.2 VAT registration number:.....

9.3 Company registration number:.....

9.4 TYPE OF COMPANY/ FIRM [TICK APPLICABLE BOX]

- Partnership/Joint Venture / Consortium
- One person business/sole propriety
- Close corporation
- Company
- (Pty) Limited

9.5 DESCRIBE PRINCIPAL BUSINESS ACTIVITIES

.....  
.....

9.6 COMPANY CLASSIFICATION [TICK APPLICABLE BOX]

- Manufacturer
- Supplier
- Professional service provider
- Other service providers, e.g. transporter, etc.

9.7 Total number of years the company/firm has been in business:.....

9.8 I/we, the undersigned, who is / are duly authorised to do so on behalf of the company/firm, certify that the points claimed, based on the B-BBE status level of contributor indicated in paragraphs 1.4 and 6.1 of the foregoing certificate, qualifies the company/ firm for the preference(s) shown and I / we acknowledge that:

- i) The information furnished is true and correct;
- ii) The preference points claimed are in accordance with the General Conditions as indicated in paragraph 1 of this form;
- iii) In the event of a contract being awarded as a result of points claimed as shown in paragraphs 1.4 and 6.1, the contractor may be required to furnish documentary proof to the satisfaction of the purchaser that the claims are correct;
- iv) If the B-BBEE status level of contributor has been claimed or obtained on a fraudulent basis or any of the conditions of contract have not been fulfilled, the purchaser may, in addition to any other remedy it may have –
  - (a) disqualify the person from the bidding process;
  - (b) recover costs, losses or damages it has incurred or suffered as a result of that person's conduct;
  - (c) cancel the contract and claim any damages which it has suffered as a result of having to make less favourable arrangements due to such cancellation;
  - (d) recommend that the bidder or contractor, its shareholders and directors, or only the shareholders and directors who acted on a fraudulent basis, be restricted by the National Treasury from obtaining business from any organ of state for a period not exceeding 10 years, after the *audi alteram partem* (hear the other side) rule has been applied; and
  - (e) forward the matter for criminal prosecution.

WITNESSES

1. ....

2. ....

.....  
SIGNATURE(S) OF BIDDERS(S)

DATE: .....

ADDRESS.....  
.....  
.....