


Quotation Advert

Opening Date: 2020-08-26 
Closing Date: 2020-09-07 
Closing Time: 11:00

INSTITUTION DETAILS

Institution Name: King Edward VIII hospital
Province: KwaZulu-Natal
Department or Entity: Department of Health
Division or section: Central Supply Chain Management
Place where goods / services is required: KING EDWARD VIII HOSPITAL
Date Submitted: 2020-08-24 


ITEM CATEGORY AND DETAILS

Quotation Number: ZNQ:
KEH 236
Item Category: Services
Item Description: **NEW BLOCK ABLUTIONS MAINTENANCE AND REPAIRS**

*** QUOTATION IS ATTACHED TO ADVERT PLEASE PRINT AND BRING IT WITH YOU FOR BRIEFING SESSION SO THAT IT CAN BE STAMPED AND SIGNED, YOU WILL NOT BE ABLE TO PARTICIPATE IF YOU DO NOT HAVE A COPY PLEASE WEAR YOUR PPE GEAR INCLUDING SAFTY BOOTS AND BRING YOUR OWN PEN.**

Quantity (if supplies)


COMPULSORY BRIEFING SESSION / SITE VISIT

Select Type: Compulsory Briefing Session
Date : 2020-08-31 
Time: 11H00
Venue: KING EDWARD VIII HOSPITAL OUTSIDE MAINTENANCE DEPT

QUOTES CAN BE COLLECTED FROM: ATTACHED TO ADVERT

QUOTES SHOULD BE DELIVERED TO: KING EDWARD VIII HOSPITAL TENDOR BOX

ENQUIRIES REGARDING THE ADVERT MAY BE DIRECTED TO:

Name: KHULANI MTHEMBU
Email: khulani.mthembu@kznhealth.gov.za
Contact Number: 031 358 3446
Finance Manager Name: MRS G. ANDERSON
Finance Manager Signature: 

No late quotes will be considered

STANDARD QUOTE DOCUMENTATION SUPPLY CHAIN MANAGEMENT OVER R30 000.00

YOU ARE HEREBY INVITED TO QUOTE FOR REQUIREMENTS AT: KING EDWARD VIII HOSPITAL		
DATE ADVERTISED: 2020-08-26	CLOSING DATE: 2020-09-07	CLOSING TIME: 11:00
FACSIMILE NUMBER: 031 205 3629	E-MAIL ADDRESS: KHULANI.MTHEMBU@KZNHEALTH.GOV.ZA	
PHYSICAL ADDRESS: GATE 2 FRANCIOS ROAD CONGELLA 4013		

ZNQ NUMBER: KEH 236

DESCRIPTION: NEW BLOCK ABLUTIONS MAINTENANCE AND REPAIRS

CONTRACT PERIOD: (if applicable) VALIDITY PERIOD 60 Days SARS PIN:

CENTRAL SUPPLIER DATABASE REGISTRATION (CSD) NO. [Grid]

UNIQUE REGISTRATION REFERENCE [Grid]

DEPOSITED IN THE QUOTE BOX SITUATED AT (STREET ADDRESS) [Grid]

Bidders should ensure that quotes are delivered timeously to the correct address. If the quote is late, it will not be accepted for consideration.

The quote box is open from 08:00 to 15:30.

ALL QUOTES MUST BE SUBMITTED ON THE OFFICIAL FORMS – (NOT TO BE RE-TYPED)

THIS QUOTE IS SUBJECT TO THE PREFERENTIAL PROCUREMENT POLICY FRAMEWORK ACT AND THE PREFERENTIAL PROCUREMENT REGULATIONS, 2011, THE GENERAL CONDITIONS OF CONTRACT (GCC) AND, IF APPLICABLE, ANY OTHER SPECIAL CONDITIONS OF CONTRACT.

THE FOLLOWING PARTICULARS MUST BE FURNISHED (FAILURE TO DO SO WILL RESULT IN YOUR QUOTE BEING DISQUALIFIED)

NAME OF BIDDER

POSTAL ADDRESS

STREET ADDRESS

TELEPHONE NUMBER CODE.....NUMBER..... FACSIMILE NUMBER CODE.....NUMBER.....

CELLPHONE NUMBER

E-MAIL ADDRESS

VAT REGISTRATION NUMBER (If VAT vendor)

HAS A B-BBEE STATUS LEVEL VERIFICATION CERTIFICATE BEEN SUBMITTED? (SBD 6.1) YES NO

[A B-BBEE STATUS LEVEL VERIFICATION CERTIFICATE/SWORN AFFIDAVIT (FOR EMEs& QSEs) MUST BE SUBMITTED IN ORDER TO QUALIFY FOR PREFERENCE POINTS FOR B-BBEE]

DECLARATION OF INTEREST

1. Any legal person, including persons employed by the state¹, or persons having a kinship with persons employed by the state, including a blood relationship, may make an offer or offers in terms of this invitation to quote (includes a price quotation, advertised competitive quote, limited quote or proposal). In view of possible allegations of favouritism, should the resulting quote, or part thereof, be awarded to persons employed by the state, or to persons connected with or related to them, it is required that the bidder or his/her authorised representative declare his/her position in relation to the evaluating/adjudicating authority where-
 - the bidder is employed by the state; and/or
 - the legal person on whose behalf the bidding document is signed, has a relationship with persons/a person who are/is involved in the evaluation and or adjudication of the quote(s), or where it is known that such a relationship exists between the person or persons for or on whose behalf the declarant acts and persons who are involved with the evaluation and or adjudication of the quote.

2. In order to give effect to the above, the following questionnaire must be completed and submitted with the quote.

- | | |
|--|---|
| 2.1. Full Name of bidder/representative:..... | 2.4. Company Registration Number: |
| 2.2. Identity Number: | 2.5. Tax Reference Number: |
| 2.3. Position occupied in the Company (director, trustee, shareholder):..... | 2.6. VAT Registration Number: |

2.7. The names of all directors / trustees / shareholders / members, their individual identity numbers, tax reference numbers and, if applicable, employee / persal numbers must be indicated in paragraph 3 below. [TICK APPLICABLE]

2.8. Are you or any person connected with the bidder presently employed by the state? YES NO

2.8.1. If so, furnish the following particulars:
 Name of person / director / trustee / shareholder/ member:
 Name of state institution at which you or the person connected to the bidder is employed:.....
 Position occupied in the state institution:Any other particulars:.....

2.8.2. If you are presently employed by the state, did you obtain the appropriate authority to undertake remunerative work outside employment in the public sector? YES NO

2.8.2.1. If yes, did you attach proof of such authority to the quote document?

(Note: Failure to submit proof of such authority, where applicable, may result in the disqualification of the quote.)

2.8.2.2. If no, furnish reasons for non-submission of such proof:

2.9. Did you or your spouse, or any of the company's directors / trustees / shareholders / members or their spouses conduct business with the state in the previous twelve months? YES NO

2.9.1. If so, furnish particulars:.....

2.10. Do you, or any person connected with the bidder, have any relationship (family, friend, other) with a person employed by the state and who may be involved with the evaluation and or adjudication of this quote? YES NO

2.10.1. If so, furnish particulars:.....

2.11. Are you, or any person connected with the bidder, aware of any relationship (family, friend, other) between any other bidder and any person employed by the state who may be involved with the evaluation and or adjudication of this quote? YES NO

2.11.1. If so, furnish particulars:.....

2.12. Do you or any of the directors / trustees / shareholders / members of the company have any interest in any other related companies whether or not they are bidding for this contract? YES NO

2.12.1. If so, furnish particulars:.....

3. Full details of directors / trustees / members / shareholders.

NB: The Department Of Health will validate **details of directors / trustees / members / shareholders** on CSD. It is the suppliers' responsibility to ensure that their details are up-to-date and verified on CSD. If the Department cannot validate the **information** on CSD, the quote will not be considered and passed over as non-compliant according to National Treasury Instruction Note 4 (a) 2016/17.

4. DECLARATION

I, THE UNDERSIGNED (NAME).....CERTIFY THAT THE INFORMATION FURNISHED IN PARAGRAPHS 2.

I ACCEPT THAT THE STATE MAY REJECT THE QUOTE OR ACT AGAINST ME SHOULD THIS DECLARATION PROVE TO BE FALSE.

..... Name of bidder Signature Position Date
-------------------------	--------------------	-------------------	---------------

¹"State" means –

- | | |
|---|---|
| a) any national or provincial department, national or provincial public entity or constitutional institution within the meaning of the Public Finance Management Act, 1999 (Act No. 1 of 1999); | c) provincial legislature; |
| b) any municipality or municipal entity; | d) national Assembly or the national Council of provinces; or |
| | e) Parliament. |

²"Shareholder" means a person who owns shares in the company and is actively involved in the management of the enterprise or business and exercises control over the enterprise.

SPECIAL CONTRACT CONDITIONS OF QUOTATIONS

1. AMENDMENT OF CONTRACT

- 1.1. Any amendment to or renunciation of the provisions of the contract shall at all times be done in writing and shall be signed by both parties.

2. CHANGE OF ADDRESS

- 2.1. Bidders must advise the Department of Health (institution where the offer was submitted) should their address (*domicilium citandi et executandi*) details change from the time of bidding to the expiry of the contract.

3. GENERAL CONDITIONS ATTACHED TO THIS QUOTATION

- 3.1. The institution is under no obligation to accept the lowest or any quote.
- 3.2. The price quoted must include VAT (if VAT vendor). However, it must be noted that the department reserves the right to evaluate all quotations excluding VAT as some bidders may not be VAT vendors.
- 3.3. The bidder must ensure the correctness & validity of quote:
- (i) *that the price(s), rate(s) & preference quoted cover all for the work/item (s) & accept that any mistakes regarding the price (s) & calculations will be at the bidder's risk*
- 3.4. The bidder must accept full responsibility for the proper execution & fulfilment of all obligations conditions devolving on under this agreement, as the Principal (s) liable for the due fulfilment of this contract.
- 3.5. This quotation will be evaluated based on the 80/20 points system, specification & correctness of information. All required documentation must be completed in full and submitted.
- 3.6. Offers must comply strictly with the specification.
- 3.7. Only offers that meet or are greater than the specification will be considered.
- 3.8. Late quotes will not be considered.
- 3.9. Expired product/s will not be accepted. All products supplied must be valid for a minimum period of six months.
- 3.10. A bidder not registered on the Central Suppliers Database or verification has failed will not be considered.
- 3.11. All delivery costs must be included in the quote price, for delivery at the prescribed destination.
- 3.12. Only firm prices will be accepted. Such prices must remain firm for the contract period. Non-firm prices (including rates of exchange variations) will not be considered.
- 3.13. In cases where different delivery points influence the pricing, a separate pricing schedule must be submitted for each delivery point.
- 3.14. In the event of a bidder having multiple quotes, only the cheapest according to specification will be considered. Furthermore a verification will be done to identify if bidders have multiple companies and are quoting (cover-quoting) for this bid. In such instances only the cheapest bid according to specification will be considered.

4. SPECIAL INSTRUCTIONS AND NOTICES TO BIDDERS REGARDING THE COMPLETION OF THIS QUOTATION.

- 4.1. Unless inconsistent with or expressly indicated otherwise by the context, the singular shall include the plural and vice versa and with words importing the masculine gender shall include the feminine and the neuter.
- 4.2. Under no circumstances whatsoever may the quotation/bid forms be retyped or redrafted. Photocopies of the original bid documentation may be used, but an original signature must appear on such photocopies.
- 4.3. The bidder is advised to check the number of pages and to satisfy himself that none are missing or duplicated.
- 4.4. Quotation submitted must be complete in all respects.
- 4.5. Any alteration made by the bidder must be initialled.
- 4.6. Use of correcting fluid is prohibited
- 4.7. Quotation will be opened in public as soon as practicable after the closing time of quotation.
- 4.8. Where practical, prices are made public at the time of opening quotations.
- 4.9. If it is desired to make more than one offer against any individual item, such offers should be given on a photocopy of the page in question. Clear indication thereof must be stated on the schedules attached.

5. SPECIAL INSTRUCTIONS REGARDING HAND DELIVERED QUOTATIONS

- 5.1. Quotation shall be lodged at the address indicated not later than the closing time specified for their receipt, and in accordance with the directives in the quotation documents.
- 5.2. Each quotation shall be addressed in accordance with the directives in the quotation documents and shall be lodged in a separate sealed envelope, with the name and address of the bidder, the quotation number and closing date indicated on the envelope. The envelope shall not contain documents relating to any quotation other than that shown on the envelope. If this provision is not complied with, such quotations/bids may be rejected as being invalid.
- 5.3. All quotations received in sealed envelopes with the relevant quotation numbers on the envelopes are kept unopened in safe custody until the closing time of the quotation/bids. Where, however, a quotation is received open, it shall be sealed. If it is received without a quotation/bid number on the envelope, it shall be opened, the quotation number ascertained, the envelope sealed and the quotation number written on the envelope.
- 5.4. A specific box is provided for the receipt of quotations, and no quotation found in any other box or elsewhere subsequent to the closing date and time of quotation will be considered.

- 5.5. No quotation/bid sent through the post will be considered if it is received after the closing date and time stipulated in the quotation documentation, and proof of posting will not be accepted as proof of delivery.
- 5.6. Quotation documents must not be included in packages containing samples. Such quotations may be rejected as being invalid.

6. SAMPLES

- 6.1. In the case of the quote document stipulating that samples are required, the supplier will be informed in due course when samples should be provided to the institution. (This decreases the time of safety and storage risk that may be incurred by the respective institution). The bidders sample will be retained if such bidder wins the contract.
 - (i) If a company/s who has not won the quote requires their samples, they must advise the institution in writing of such.
 - (ii) If samples are not collected within three months of close of quote the institution reserves the right to dispose of them at their discretion.
- 6.2. **Samples must be made available when requested in writing or if stipulated on the document.**
 - (i) If a Bidder fails to provide a sample of their product on offer for scrutiny against the set specification when requested, their offer will be rejected. All testing will be for the account of the bidder.

7. COMPULSORY SITE INSPECTION / BRIEFING SESSION

7.1. Bidders who fail to attend the compulsory meeting will be disqualified from the evaluation process.

- (i) The institution has determined that a compulsory site meeting take place
- (ii) Date / / Time : Place

Institution Stamp:	Institution Site Inspection / briefing session Official Full Name: Signature: Date:
--------------------	--

8. STATEMENT OF SUPPLIES AND SERVICES

8.1. The contractor shall, when requested to do so, furnish particulars of supplies delivered or services executed. If he/she fails to do so, the Department may, without prejudice to any other rights which it may have, institute inquiries at the expense of the contractor to obtain the required particulars.

9. SUBMISSION AND COMPLETION OF SBD 6.1

9.1. Should a bidder wish to qualify for preference points they must complete a SBD 6.1 document. Failure by a bidder to provide all relevant information required, will result in such a bidder not being considered for preference point's allocation. The preferences applicable on the closing date will be utilized. Any changes after the closing date will not be considered for that particular quote.

10. TAX COMPLIANCE REQUIREMENTS

- 10.1. In the event that the tax compliance status has failed on CSD, **it is the suppliers' responsibility to provide a SARS pin in order for the institution to validate the tax compliance status of the supplier.**
- 10.2. In the event that the institution cannot validate the suppliers' tax clearance on SARS as well as the Central Suppliers Database, **the quote will not be considered and passed over as non-compliant according to National Treasury Instruction Note 4 (a) 2016/17.**

11. TAX INVOICE

11.1. A tax invoice shall be in the currency of the Republic of South Africa and shall contain the following particulars:

- (i) the name, address and registration number of the supplier;
- (ii) the name and address of the recipient;
- (iii) an individual serialized number and the date upon which the tax invoice is issued;
- (iv) a description and quantity or volume of the goods or services supplied;
- (v) the official department order number issued to the supplier;
- (vi) the value of the supply, the amount of tax charged;
- (vii) the words tax invoice in a prominent place.

12. PATENT RIGHTS

The supplier shall indemnify the **KZN Department of Health** (here after known as the purchaser) against all third-party claims of infringement of patent, trademark, or industrial design rights arising from use of the goods or any part thereof by the purchaser.

13. PENALTIES

- 13.1. If at any time during the contract period, the service provider is unable to perform in a timely manner, the service provider must notify the institution in writing/email of the cause of and the duration of the delay. Upon receipt of the notification, the institution should evaluate the circumstances and, if deemed necessary, the institution may extend the service provider's time for performance.
- 13.2. In the event of delayed performance that extends beyond the delivery period, the institution is entitled to purchase commodities of a similar quantity and quality as a substitution for the outstanding commodities, without terminating the contract, as well as return commodities delivered at a later stage at the service provider's expense.
- 13.3. Alternatively, the institution may elect to terminate the contract and procure the necessary commodities in order to complete the contract. In the event that the contract is terminated the institution may claim damages from the service provider in the form of a penalty. The service provider's performance should be captured on the service provider database in order to determine whether or not the service provider should be awarded any contracts in the future.
- 13.4. If the supplier fails to deliver any or all of the goods or to perform the services within the period(s) specified in the contract, the purchaser shall, without prejudice to its other remedies under the contract, deduct from the contract price, as a penalty, a sum calculated on the delivered price of the delayed goods or unperformed services using the current prime interest rate calculated for each day of the delay until actual delivery or performance.

14. TERMINATION FOR DEFAULT

- 14.1. The purchaser, without prejudice to any other remedy for breach of contract, by written notice of default sent to the supplier, may terminate this contract in whole or in part:
 - (i) if the supplier fails to deliver any or all of the goods within the period(s) specified in the contract,
 - (ii) if the supplier fails to perform any other obligation(s) under the contract; or
 - (iii) if the supplier, in the judgment of the purchaser, has engaged in corrupt or fraudulent practices in competing for or in executing the contract.
- 14.2. In the event the purchaser terminates the contract in whole or in part, the purchaser may procure, upon such terms and in such manner as it deems appropriate, goods, works or services similar to those undelivered, and the supplier shall be liable to the purchaser for any excess costs for such similar goods, works or services.
- 14.3. Where the purchaser terminates the contract in whole or in part, the purchaser may decide to impose a restriction penalty on the supplier by prohibiting such supplier from doing business with the public sector for a period not exceeding 10 years.

15. FAILURE TO COMPLY WITH ABOVE WILL RESULT IN YOUR QUOTE BEING PASSED OVER.

PREFERENCE POINTS CLAIM FORM IN TERMS OF THE PREFERENTIAL PROCUREMENT REGULATIONS 2017

This preference form must form part of all quotes invited. It contains general information and serves as a claim form for preference points for Broad-Based Black Economic Empowerment (B-BBEE) Status Level of Contribution

NB: BEFORE COMPLETING THIS FORM, BIDDERS MUST STUDY THE GENERAL CONDITIONS, DEFINITIONS AND DIRECTIVES APPLICABLE IN RESPECT OF B-BBEE, AS PRESCRIBED IN THE PREFERENTIAL PROCUREMENT REGULATIONS, 2017.

1. GENERAL CONDITIONS

- 1.1 The following preference point systems are applicable to all quotes:
- the 80/20 system for requirements with a Rand value of up to R50 000 000 (all applicable taxes included); and
- 1.2 The value of this quote is estimated to not exceed R50 000 000 (all applicable taxes included) and therefore the 80/20 preference point system shall be applicable.
- 1.3 Points for this quote shall be awarded for:
- (a) Price; and
 - (b) B-BBEE Status Level of Contributor.
- 1.4 The maximum points for this quote is allocated as follows:

	POINTS
PRICE	80
B-BBEE STATUS LEVEL OF CONTRIBUTOR	20
Total points for Price and B-BBEE must not exceed	100

- 1.5 Failure on the part of a bidder to submit proof of B-BBEE Status level of contributor together with the quote, will be interpreted to mean that preference points for B-BBEE status level of contribution are not claimed.
- 1.6 The purchaser reserves the right to require of a bidder, either before a quote is adjudicated or at any time subsequently, to substantiate any claim in regard to preferences, in any manner required by the purchaser.

2. DEFINITIONS

- (a) **"B-BBEE"** means broad-based black economic empowerment as defined in section 1 of the Broad-Based Black Economic Empowerment Act;
- (b) **"B-BBEE status level of contributor"** means the B-BBEE status of an entity in terms of a code of good practice on black economic empowerment, issued in terms of section 9(1) of the Broad-Based Black Economic Empowerment Act;
- (c) **"bid"** means a written offer in a prescribed or stipulated form in response to an invitation by an organ of state for the provision of goods or services, through price quotations, advertised competitive bidding processes or proposals;
- (d) **"Broad-Based Black Economic Empowerment Act"** means the Broad-Based Black Economic Empowerment Act, 2003 (Act No. 53 of 2003);
- (e) **"EME"** means an Exempted Micro Enterprise in terms of a code of good practice on black economic empowerment issued in terms of section 9 (1) of the Broad-Based Black Economic Empowerment Act;
- (f) **"functionality"** means the ability of a tenderer to provide goods or services in accordance with specifications as set out in the tender documents.
- (g) **"prices"** includes all applicable taxes less all unconditional discounts;
- (h) **"proof of B-BBEE status level of contributor"** means:
 - 1) B-BBEE Status level certificate issued by an authorized body or person;
 - 2) A sworn affidavit as prescribed by the B-BBEE Codes of Good Practice;
 - 3) Any other requirement prescribed in terms of the B-BBEE Act;
- (i) **"QSE"** means a qualifying small business enterprise in terms of a code of good practice on black economic empowerment issued in terms of section 9 (1) of the Broad-Based Black Economic Empowerment Act;
- (j) **"rand value"** means the total estimated value of a contract in Rand, calculated at the time of bid invitation, and includes all applicable taxes;

3. POINTS AWARDED FOR PRICE

3.1 THE 80/20 PREFERENCE POINT SYSTEMS

A maximum of 80 points is allocated for price on the following basis:

$$P_s = 80 \left(1 - \frac{P_t - P_{\min}}{P_{\min}} \right) \text{ Where}$$

- Ps = Points scored for price of bid under consideration
- Pt = Price of bid under consideration
- Pmin = Price of lowest acceptable bid

4. POINTS AWARDED FOR B-BBEE STATUS LEVEL OF CONTRIBUTOR

4.1 In terms of Regulation 6 (2) and 7 (2) of the Preferential Procurement Regulations, preference points must be awarded to a bidder for attaining the B-BBEE status level of contribution in accordance with the table below:

B-BBEE Status Level of Contributor	Number of points (80/20 system)
1	20
2	18
3	14
4	12
5	8
6	6
7	4
8	2
Non-compliant contributor	0

5. BID DECLARATION

5.1 Bidders who claim points in respect of B-BBEE Status Level of Contribution must complete the following:

6. B-BBEE STATUS LEVEL OF CONTRIBUTOR CLAIMED IN TERMS OF PARAGRAPHS 1.4 AND 4.1

6.1 B-BBEE Status Level of Contributor: =(maximum of 20 points)

(Points claimed in respect of paragraph 7.1 must be in accordance with the table reflected in paragraph 4.1 and must be substantiated by relevant proof of B-BBEE status level of contributor.

7. SUB-CONTRACTING

(Tick applicable box)

7.1 Will any portion of the contract be sub-contracted?

YES		NO	
-----	--	----	--

7.1.1 If yes, indicate:

- i) What percentage of the contract will be subcontracted.....%
- ii) The name of the sub-contractor.....
- iii) The B-BBEE status level of the sub-contractor.....

8. Whether the sub-contractor is an EME or QSE

(Tick applicable box)

iv) Specify, by ticking the appropriate box, if subcontracting with an enterprise in terms of Preferential Procurement Regulations, 2017:

YES		NO	
-----	--	----	--

Designated Group: An EME or QSE which is at least 51% owned by:	EME √	QSE √
Black people		
Black people who are youth		
Black people who are women		
Black people with disabilities		
Black people living in rural or underdeveloped areas or townships		
Cooperative owned by black people		
Black people who are military veterans		
OR		
Any EME		
Any QSE		

9. **DECLARATION WITH REGARD TO COMPANY/FIRM**

9.1 Name of company/firm:.....

9.2 VAT registration number:.....

9.3 Company registration number:.....

9.4 **TYPE OF COMPANY/ FIRM [TICK APPLICABLE BOX]**

- Partnership/Joint Venture / Consortium
- One person business/sole propriety
- Close corporation
- Company
- (Pty) Limited

9.5 **DESCRIBE PRINCIPAL BUSINESS ACTIVITIES**

.....
.....

9.6 **COMPANY CLASSIFICATION [TICK APPLICABLE BOX]**

- Manufacturer
- Supplier
- Professional service provider
- Other service providers, e.g. transporter, etc.

9.7 Total number of years the company/firm has been in business:.....

9.8 I/we, the undersigned, who is / are duly authorised to do so on behalf of the company/firm, certify that the points claimed, based on the B-BBE status level of contributor indicated in paragraphs 1.4 and 6.1 of the foregoing certificate, qualifies the company/ firm for the preference(s) shown and I / we acknowledge that:

- i) The information furnished is true and correct;
- ii) The preference points claimed are in accordance with the General Conditions as indicated in paragraph 1 of this form;
- iii) In the event of a contract being awarded as a result of points claimed as shown in paragraphs 1.4 and 6.1, the contractor may be required to furnish documentary proof to the satisfaction of the purchaser that the claims are correct;
- iv) If the B-BBEE status level of contributor has been claimed or obtained on a fraudulent basis or any of the conditions of contract have not been fulfilled, the purchaser may, in addition to any other remedy it may have –
 - (a) disqualify the person from the bidding process;
 - (b) recover costs, losses or damages it has incurred or suffered as a result of that person's conduct;
 - (c) cancel the contract and claim any damages which it has suffered as a result of having to make less favourable arrangements due to such cancellation;
 - (d) recommend that the bidder or contractor, its shareholders and directors, or only the shareholders and directors who acted on a fraudulent basis, be restricted by the National Treasury from obtaining business from any organ of state for a period not exceeding 10 years, after the *audi alteram partem* (hear the other side) rule has been applied; and
 - (e) forward the matter for criminal prosecution.

<p>WITNESSES</p> <p>1.</p> <p>2.</p>
--

<p>.....</p> <p>SIGNATURE(S) OF BIDDERS(S)</p> <p>DATE:</p> <p>ADDRESS.....</p> <p>.....</p> <p>.....</p>



PROVINCE OF KWAZULU-NATAL
DEPARTMENT OF HEALTH

New block ablutions maintenance and repairs

ZNQ NO: KEH _____

Closing Date & Time : @ 11h00
Contract Period : 03Weeks
Validity Period : 60 Days
Technical Contact Person : MR. MMM Mngomezulu
Contact Telephone Number : 031 360 3716
On Site Inspection :

DOCUMENTS DELIVERED BY HAND MUST BE DEPOSITED IN THE QUOTATION BOX SITUATED IN:

THE TENDER-BOX
KING EDWARD 8 HOPITAL
P/BAG

THE QUOTATION BOX IS AVAILABLE ON THE FOLLOWING DAYS AND TIMES: MONDAYS TO FRIDAYS 07h30 – 16h00

DOCUMENTS POSTED SHALL BE ADDRESSED TO:

SUPPLY CHAIN MANAGEMENT:
KING EDWARD 8 HOPITAL
P/BAG

N.B.: THE QUOTATION BOX WILL BE CLEARED AT 11:00Hrs ON THE DUE DATE.

Name of Tenderer _____

PROVINCE OF KWAZULU-NATAL
DEPARTMENT OF HEALTH

New block ablutions maintenance and repairs

ZNQ NO: KEH

PROJECT SPECIFICATIONS

I. NOTES TO TENDERERS

1.1. SCOPE OF CONTRACT

This Contract is for the complete execution of the project indicated above.

1.2. CONDITIONS OF CONTRACT AND PRELIMINARIES

1.2.1 PERIOD OF CONTRACT

03 Weeks as the Contract Period for the completion of *all Works* from date of Site handover.

1.2.2 CONTRACT GUARANTEE:

The successful Tenderer will **NOT** be required to submit a contract guarantee.

1.2.3 GUARANTEE PERIOD

The guarantee period for *all Works* and all materials must be for a minimum of ***One (1) Year*** from the date of first delivery.

1.2.4 SITE AND MODE OF PROCEDURE

The work contained in this contract will be carried out on the site of the existing Institution.

The Contractor is advised that the existing premises will be occupied throughout the period of the contract.

Damage to existing buildings - Tenderers to note that any damages done or occurring to any of the buildings will be repaired at the expense of the contractor/ Tenderer.

The repairs must be to the satisfaction of the KwaZulu- Natal Department of Health.

1.2.5 **SATISFACTORY INSTALLATION**

The whole of the installation shall be carried out in accordance with the South African Bureau of Standards Code of Practice for the application of National Building Regulations, the KZNPA Standard Preambles to all Trades, the KZNPA General Electrical Specification, the South African Bureau of Standards Code of Practice for the Wiring of Premises 0142-1 and the Occupational Health and Safety Act 85 of 1993 as amended.

Copies of the KZNPA Standard Preambles to all Trades and the KZNPA General Electrical Specification are available at the office of the Secretary for Health – KwaZulu-Natal and can be obtained on request.

1.2.6 **CERTIFICATE OF COMPLIANCE**

NB: COC will be required for any electrical work done

1.2.7 **Health and safety act 85(1993)**

Safety file must be produced and handed to safety department before commencement

**PROVINCE OF KWAZULU-NATAL
DEPARTMENT OF HEALTH
New block ablutions maintenance and repairs
ZNQ NO: KEH _____**

TECHNICAL SPECIFICATIONS

2. TECHNICAL SPECIFICATION

2.1 GENERAL

This TECHNICAL SPECIFICATION shall be read in conjunction with all other sections of the SPECIFICATION and cognisance shall be taken of the clauses relevant to this particular installation, whether any specific clauses are referred to or not.

Specifications

SANITARY PLUMBING AND FITTINGS, WASTE, VENTILATION AND ANTI-SIPHON PIPES

(a) **Unplasticised polyvinyl chloride (UPVC) pipes and fittings** shall be of approved manufacture marked with the manufacturer's name and trade name, the nominal bore and the South African Bureau of Standards mark and shall comply with SANS Specification 967. Joints shall be made with injection moulded fittings in accordance with the manufacturer's instructions and SANS Code of Practice 0112. The pipes must be fixed clear of the finished wall face with aluminium alloy holderbats fitted with plastic cushion strips with the holderbats fixed to plugs in wall.

(b) **Polypropylene pipes and fittings** shall be of approved manufacture and shall have a mechanical form of jointing. Pipes and fittings are to be fixed and jointed in accordance with the manufacturer's instructions.

(c) **Multilayered pipes** shall be of approved manufacture and shall have a mechanical form of jointing. Pipes and fittings are to be fixed and jointed in accordance with the manufacturer's instructions.

SANITARY FITTINGS: — All sanitary ware must comply with SANS 497 Specifications and be fitted with Ball-O-Cock valves in supply lines.

Wash hand basins shall be of white glazed fireclay or vitreous china of the type and size specified. Basins shall have an integral overflow to non patient treatment facilities and be fitted with 32mm chromium plated waste union with flange and grating, rubber plug on chromium plated brass chain and, where required, tap hole stopper cemented in.

WC pans shall be of white glazed fireclay or vitreous china of the type specified with 'S' or 'P' trap with straight or side outlet and shall be fitted with single or double flap plastic seat as required, secured to pan with concealed brass holding down bolts. Pans shall be bedded on the concrete floors in 1:3 cement mortars. Pans in seclusion rooms and other public areas to be 'Gypsy' vandal proof – or other approved.

Glazed ceramic urinals of the bowl or stall type shall be of white glazed fireclay or vitreous china. Bowl urinals shall be fitted with 40mm chromium plated waste union, with flange and

chromium plated domed hinged grating and frame.

RATES FOR SANITARY WARE: — shall include for the supply and fixing of the units as specified and for cleaning, washing and leaving in a satisfactory condition on completion.

TR5 5 Roll Toilet Roll Dispenser- Square- Stainless steel

- Roll Capacity: 5 Toilet Rolls
- Installation Height: 65 - 75 cm to floor
- Installation Height for Disabled People: 70 cm to the floor
- Dimensions (WxHxD): 130 x 570 x 140mm
- Weight: 2,5 kg

PARKTOWN

PARKTOWN BACK TO WALL PAN PRODUCT CODE 431500/431600

DESCRIPTION

Vaal Sanitaryware vitreous china "Parktown" 90° outlet top inlet (code 431500) or back inlet (code 431600) closed rim back-to-wall pan. Top inlet can be used with an exposed flushvalve. Back inlet can be used with a concealed cistern, Vaal Sanitaryware duct cistern (code 7116DP) or a concealed flushvalve. Flush volume 6/3 litres, subject to the pan being installed with a cistern providing an effective 6/3 litre flush volume.

When used in conjunction with the Grohe concealed cisterns

1. Flush 120 Skate Stainless steel control panel (code 431608)
2. Flush 120 Skate white control panel (code 431609)
3. Flush 120 Skate chrome control panel (code 431610)
4. Flush 120 Nova chrome control panel (code 431611)
5. Flush 120 Arena vertical chrome control panel (code 431612)
6. Flush 120 Arena horizontal chrome control panel (code 431613)

RECOMMENDED ACCESSORIES

1. Flushmaster FJ2.000, with pan connector C-FM8.20 and offset flushpipe FJT5.7, or FM 1.210 or equivalent for top entry pan.
2. DPI Flushfit, Marley SG47 pan collar or equivalent.
3. Jazz thermoset toilet seat (code 8531Z0)
4. Wall fixing screws (code 8513Z0)

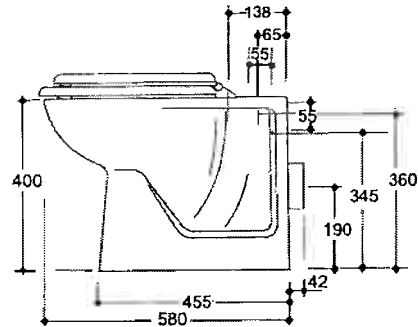
SPECIFICATIONS

	Mass	Volume
Pan	16.00kg	0.080m ³

INSTALLATION

1. Ensure plumbing is in correct position.
2. Place pan into position and mark hole positions on the wall. Remove pan and drill holes. Place pan back into position, fix screw to the wall and secure.
3. Flush the water line.
4. Complete all plumbing connections and test flush.
5. Always use silicone sealant or equivalent between the pan and the finished floor and wall surfaces for a secure and neat installation.

NOTE: The warranty will not apply to any product installed with cement.



Vaal
SANITARYWARE

b12

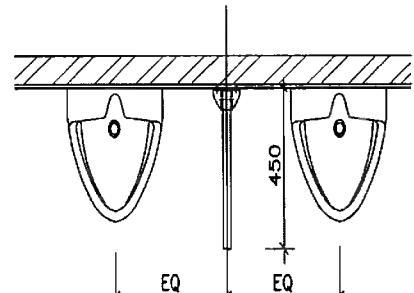
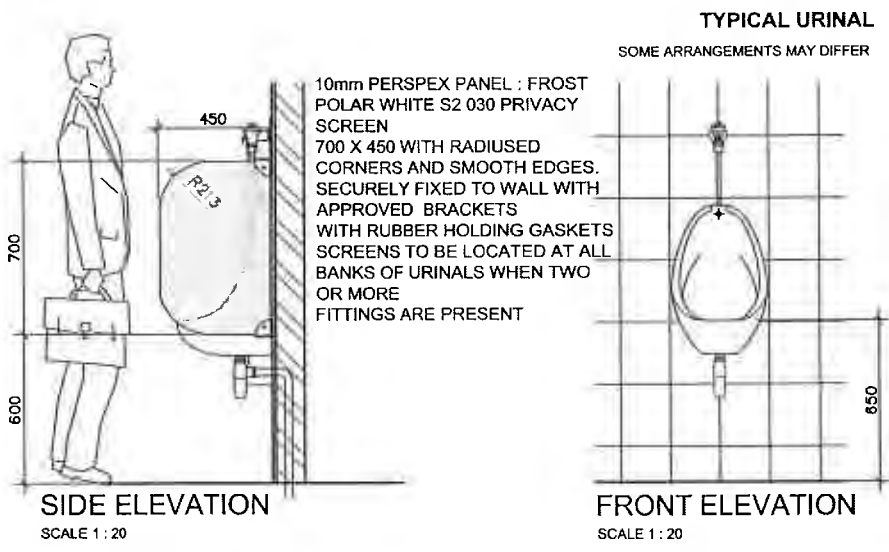


VL-703600WH

Hygia wall hung medical basin with medical elbow operated tap – A modified version of the Cobra 515/055-21



Cobra 515/055-21 wall mounted elbow action medical tap



CHROMIUM PLATED DOMICAL GRATING (CODE: 8787Z0) AND CHROMIUM PLATED TOP INLET SPREADER (CODE: 7054Z1), COBRA FLUSH VALVE FJ6000, FIXED ON AND INCLUDING TWO HANGER BRACKETS (CODE: 8127Z0)(URINAL DIVISION. WITH COBRA WATERTech 32MM CHROME PLATED DEEP SEAL BOTTLE TRAP WITH OUTLET FOR 50MM PVC (CODE: 345/50).

3. SCOPE OF WORKS.

The work to be carried out under this contract includes the OTO maintenance and repairs.

New block ablutions maintenance and repairs

General

- 1. Allow for excavation backfilling and repairs to surfaces.**
- 2. Allow for the plumbing materials as specified**
- 3. Only class 02 copper must be used inside.**
- 4. All waste pipe must be connected to existing PVC pipe and ensure that all supply pipe must be connected to existing pipe**
- 5.**

New block waiting area patients toilets

Male patient's toilets

1. Removed old pan and light duty flush master and replace with flush master F, 2.00 with pan connector C-PM8.20 and offset flush pipe F, TT5, 7 as per specification page 13
2. . Remove old star taps to hand basin and replace with new medical elbow action (code 515/055-21 and battle trap as per spec refer to page 14
3. Supply and install wall mounted folded paper towel dispenser, measuring 1000x100
4. Remove complete urinal and replace with new chrome plated deep seal battle traps with outlet for 50mm PVC (CODE 34550) to urinal refer to page 16

Female patient's toilets

1. Removed old pan and light duty flush master and replace with flush master F, 2.00 with pan connector C-PM8.20 and offset flush pipe F, TT5, 7 as per specification page 13
2. Remove old star taps to hand basin and replace with new medical elbow action (code 515/055-21 and battle trap as per spec refer to page 14
3. Supply and install new paper towel must be mounted folded paper towel dispenser measurement 100x100

Urology

Female toilets

1. Removed old pan and light duty flush master and replace with flush master F, 2.00 with pan connector C-PM8.20 and offset flush pipe F, TT5, 7 as per specification page 13
2. Remove old star taps to hand basin and replace with new medical elbow action (code 515/055-21 and battle trap as per spec refer to page 14
3. Supply and install new paper towel must be mounted folded paper towel dispenser measurement 100x100

Male toilets

- 1 Removed old pan and light duty flush master and replace with flush master F, 2.00 with pan connector C-PM8.20 and offset flush pipe F, TT5, 7 as per specification page 13
2. Remove old star taps to hand basin and replace with new medical elbow action (code 515/055-21 and battle trap as per spec refer to page 14
3. Supply and install new chrome plated deep seal battle traps with outlet for 50mm PVC (CODE 34550) to urinal refer to page 16

Follow up clinic

Staff male toilets

- 1 Removed old pan and light duty flush master and replace with flush master F, 2.00 with pan connector C-PM8.20 and offset flush pipe F, TT5, 7 as per specification page 13
- 2 Remove old star taps to hand basin and replace with new medical elbow action (code 515/055-21 and battle trap as per spec refer to page 14
- 3 Supply and install new paper towel must be mounted folded paper towel dispenser measurement 100x100

Staff female toilets

- 1 Removed old pan and light duty flush master and replace with flush master F, 2.00 with pan connector C-PM8.20 and offset flush pipe F, TT5, 7 as per specification page 13
- 2 Remove old star taps to hand basin and replace with new medical elbow action (code 515/055-21 and battle trap as per spec refer to page 14
- 3 Supply and install new paper towel must be mounted folded paper towel dispenser measurement 100x100

Patient's male toilets

- 1 Removed old pan and light duty flush master and replace with flush master F, 2.00 with pan connector C-PM8.20 and offset flush pipe F, TT5, 7 as per specification page 13
- 2 Remove old star taps to hand basin and replace with new medical elbow action (code 515/055-21 and battle trap as per spec refer to page 14
- 3 Supply and install new paper towel must be mounted folded paper towel dispenser measurement 100x100

Patients female toilets

- 1 Removed old pan and light duty flush master and replace with flush master F, 2.00 with pan connector C-PM8.20 and offset flush pipe F, TT5, 7 as per specification page 13
- 2 Remove old star taps to hand basin and replace with new medical elbow action (code 515/055-21 and battle trap as per spec refer to page 14
- 3 Supply and install new paper towel must be mounted folded paper towel dispenser measurement 100x100

Patient's female toilets next to lift room

- 1 Removed old pan and light duty flush master and replace with flush master F, 2.00 with pan connector C-PM8.20 and offset flush pipe F, TT5, 7 as per specification page 13
- 2 Remove old star taps to hand basin and replace with new medical elbow action (code 515/055-21and battle trap as per spec refer to page 14
- 3 Supply and install new paper towel must be mounted folded paper towel dispenser measurement 100x100

Patient's male toilets next to lift room

- 1 Removed old pan and light duty flush master and replace with flush master F, 2.00 with pan connector C-PM8.20 and offset flush pipe F, TT5, 7 as per specification page 13
- 2 Remove old star taps to hand basin and replace with new medical elbow action (code 515/055-21and battle trap as per spec refer to page 14
- 3 Supply and install new paper towel must be mounted folded paper towel dispenser measurement 100x100

Special clinic**Patient's toilets**

- 1 Removed old pan and light duty flush master and replace with flush master F, 2.00 with pan connector C-PM8.20 and offset flush pipe F, TT5, 7 as per specification page 13
- 2 Remove old star taps to hand basin and replace with new medical elbow action (code 515/055-21and battle trap as per spec refer to page 14
- 3 Supply and install new paper towel must be mounted folded paper towel dispenser measurement 100x100

Staff toilets

- 1 Removed old pan and light duty flush master and replace with flush master F, 2.00 with pan connector C-PM8.20 and offset flush pipe F, TT5, 7 as per specification page 13
- 2 Remove old star taps to hand basin and replace with new medical elbow action (code 515/055-21and battle trap as per spec refer to page 14
- 3 Supply and install new paper towel must be mounted folded paper towel dispenser measurement 100x100

GI unit**Patient's male toilets**

- 1 Removed old pan and light duty flush master and replace with flush master F, 2.00 with pan connector C-PM8.20 and offset flush pipe F, TT5, 7 as per specification page 13
- 2 Remove old star taps to hand basin and replace with new medical elbow action (code 515/055-21and battle trap as per spec refer to page 14
- 3 Supply and install new paper towel must be mounted folded paper towel dispenser measurement 100x100

Patient's female toilets

- 1 Removed old pan and light duty flush master and replace with flush master F, 2.00 with pan connector C-PM8.20 and offset flush pipe F, TT5, 7 as per specification page 13
- 2 Remove old star taps to hand basin and replace with new medical elbow action (code 515/055-21 and battle trap as per spec refer to page 14
- 3 Supply and install new paper towel must be mounted folded paper towel dispenser measurement 100x100

New block theaters**Patient's male toilets**

- 1 Removed old pan and light duty flush master and replace with flush master F, 2.00 with pan connector C-PM8.20 and offset flush pipe F, TT5, 7 as per specification page 13
- 2 Remove old star taps to hand basin and replace with new medical elbow action (code 515/055-21 and battle trap as per spec refer to page 14
- 3 Supply and install new paper towel must be mounted folded paper towel dispenser measurement 100x100

Patient's female toilets

- 1 Removed old pan and light duty flush master and replace with flush master F, 2.00 with pan connector C-PM8.20 and offset flush pipe F, TT5, 7 as per specification page 13
- 2 Remove old star taps to hand basin and replace with new medical elbow action (code 515/055-21 and battle trap as per spec refer to page 14
- 3 Supply and install new paper towel must be mounted folded paper towel dispenser measurement 100x100

Doctors change room toilets

- 1 Removed old pan and light duty flush master and replace with flush master F, 2.00 with pan connector C-PM8.20 and offset flush pipe F, TT5, 7 as per specification page 13
- 2 Remove old star taps to hand basin and replace with new medical elbow action (code 515/055-21 and battle trap as per spec refer to page 14
- 3 Supply and install new paper towel must be mounted folded paper towel dispenser measurement 100x100

Nurses change room toilets

- 1 Removed old pan and light duty flush master and replace with flush master F, 2.00 with pan connector C-PM8.20 and offset flush pipe F, TT5, 7 as per specification page 13
- 2 Remove old star taps to hand basin and replace with new medical elbow action (code 515/055-21 and battle trap as per spec refer to page 14
- 3 Supply and install new paper towel must be mounted folded paper towel dispenser measurement 100x100

Dietician toilets

Staff toilets

- 1 Removed old pan and light duty flush master and replace with flush master F, 2.00 with pan connector C-PM8.20 and offset flush pipe F, TT5, 7 as per specification page 13
- 2 Remove old star taps to hand basin and replace with new medical elbow action (code 515/055-21 and battle trap as per spec refer to page 14

Patient's toilets

- 1 Removed old pan and light duty flush master and replace with flush master F, 2.00 with pan connector C-PM8.20 and offset flush pipe F, TT5, 7 as per specification page 13
- 2 Remove old star taps to hand basin and replace with new medical elbow action (code 515/055-21 and battle trap as per spec refer to page 14

ENT

Patient's male toilets

- 1 Removed old pan and light duty flush master and replace with flush master F, 2.00 with pan connector C-PM8.20 and offset flush pipe F, TT5, 7 as per specification page 13
- 2 Remove old star taps to hand basin and replace with new medical elbow action (code 515/055-21 and battle trap as per spec refer to page 14
- 3 Remove complete urinal and replace with new chrome plated deep seal battle traps with outlet for 50mm PVC (CODE 34550) to urinal refer to page 16

Patient's female toilets

- 1 Removed old pan and light duty flush master and replace with flush master F, 2.00 with pan connector C-PM8.20 and offset flush pipe F, TT5, 7 as per specification page 13
- 2 Remove old star taps to hand basin and replace with new medical elbow action (code 515/055-21 and battle trap as per spec refer to page 14
- 3 Supply and install new paper towel must be mounted folded paper towel dispenser measurement 100x100

Staff female toilets

1. Removed old pan and light duty flush master and replace with flush master F, 2.00 with pan connector C-PM8.20 and offset flush pipe F, TT5, 7 as per specification page 13
2. Remove old star taps to hand basin and replace with new medical elbow action (code 515/055-21 and battle trap as per spec refer to page 14
3. Supply and install new paper towel must be mounted folded paper towel dispenser measurement 100x100

Staff male toilets

- 1 Removed old pan and light duty flush master and replace with flush master F, 2.00 with pan connector C-PM8.20 and offset flush pipe F, TT5, 7 as per specification page 13
- 2 Remove old star taps to hand basin and replace with new medical elbow action (code 515/055-21 and battle trap as per spec refer to page 14
- 3 Remove complete urinal and replace with new chrome plated deep seal battle traps with outlet for 50mm PVC (CODE 34550) to urinal refer to page 16
- 4 Supply and install new paper towel must be mounted folded paper towel dispenser measurement 100x100

SCHEDULE OF RATES

WORK TO BE DONE AT KING EDWARD HOSPITAL AND SCHEDULE OF PRICES:

Item	DESCRIPTION	UNIT	QTY	RATE/ UNIT		TOTAL	
				R	c	R	c
	INSTITUTION:KING EDWARD HOSPITAL ZNQ NO: KEH All rates quoted shall be inclusive of transport, Labour and profit. The Tenderer is advised that the buildings are Occupied.						
	PROPRIETARY ARTICLES: All equipment and material used in this contract shall be that which is specified or other SABS approved.						
	New block waiting area patients toilets						
	Male patient's toilets						
01	Removed old pan and light duty flush master and replace with flush master F, 2.00 with pan connector C-PM8.20 and offset flush pipe F, TT5, 7 as per specification page 13	UNIT	02				
02	Remove old star taps to hand basin and replace with new medical elbow action (code 515/055-21and battle trap as per spec refer to page 14	UNIT	02				
03	Supply and install wall mounted folded paper towel dispenser, measuring 1000x100	UNIT	01				
04	Remove complete urinal and replace with new chrome planted deep seal battle traps with outlet for 50mm PVC (CODE 34550) to urinal refer to page 16	UNIT	02				
	Female patient's toilets						
01	Removed old pan and light duty flush master and replace with flush master F, 2.00 with pan connector C-PM8.20 and offset flush pipe F, TT5, 7 as per specification page 13	UNIT	02				
02	Remove old star taps to hand basin and replace with new medical elbow action (code 515/055-21and battle trap as per spec refer to page 14	UNIT	02				
03	Supply and install new paper towel must be mounted folded paper towel dispenser measurement 100x100	UNIT	01				
CARRIED TO COLLECTION SUMMARY						R	
PS 1							

SCHEDULE OF RATES

WORK TO BE DONE AT KING EDWARD HOSPITAL AND SCHEDULE OF PRICES:

Item	DESCRIPTION	UNIT	QTY	RATE/ UNIT		TOTAL	
				R	c	R	c
	INSTITUTION:KING EDWARD HOSPITAL ZNQ NO: KEH All rates quoted shall be inclusive of transport, Labour and profit. The Tenderer is advised that the buildings are occupied						
	PROPRIETARY ARTICLES: All equipment and material used in this contract shall be that which is specified or other SABS approved.						
	Urology						
	Female toilets						
1	Removed old pan and light duty flush master and replace with flush master F, 2.00 with pan connector C-PM8.20 and offset flush pipe F, TT5, 7 as per specification page 13	UNIT	02				
2	Remove old star taps to hand basin and replace with new medical elbow action (code 515/055-21and battle trap as per spec refer to page 14	UNIT	02				
3	Supply and install new paper towel must be mounted folded paper towel dispenser measurement 100x100	UNIT	01				
	Male toilets						
1	Removed old pan and light duty flush master and replace with flush master F, 2.00 with pan connector C-PM8.20 and offset flush pipe F, TT5, 7 as per specification page 13	UNIT	02				
2	Remove old star taps to hand basin and replace with new medical elbow action (code 515/055-21and battle trap as per spec refer to page 14	UNIT	02				
3	Supply and install new chrome plated deep seal battle traps with outlet for 50mm PVC (CODE 34550) to urinal refer to page 16	UNIT	02				
						R	
CARRIED TO COLLECTION SUMMARY		PS 2					

SCHEDULE OF RATES

WORK TO BE DONE AT KING EDWARD HOSPITAL AND SCHEDULE OF PRICES:

Item	DESCRIPTION	UNIT	QTY	RATE/ UNIT		TOTAL	
				R	c	R	c
	INSTITUTION:KING EDWARD HOSPITAL						
	ZNQ NO: KEH						
	All rates quoted shall be inclusive of transport, Labour and profit.						
	The Tenderer is advised that the buildings are occupied						
	PROPRIETARY ARTICLES:						
	All equipment and material used in this contract shall be that which is specified or other SABS approved.						
	Follow up clinic						
	Staff male toilets						
1	Removed old pan and light duty flush master and replace with flush master F, 2.00 with pan connector C-PM8.20 and offset flush pipe F, TT5, 7 as per specification page 13	UNIT	01				
2	Remove old star taps to hand basin and replace with new medical elbow action (code 515/055-21and battle trap as per spec refer to page 14	UNIT	01				
3	Supply and install new paper towel must be mounted folded paper towel dispenser measurement 100x100	UNIT	01				
	Staff female toilets						
1	Removed old pan and light duty flush master and replace with flush master F, 2.00 with pan connector C-PM8.20 and offset flush pipe F, TT5, 7 as per specification page 13	UNIT	01				
2	Remove old star taps to hand basin and replace with new medical elbow action (code 515/055-21and battle trap as per spec refer to page 14	UNIT	01				
3	Supply and install new paper towel must be mounted folded paper towel dispenser measurement 100x100	UNIT	01				
	Patient's male toilets						
1	Removed old pan and light duty flush master and replace with flush master F, 2.00 with pan connector C-PM8.20 and offset flush pipe F, TT5, 7 as per specification page 13	UNIT	01				
2	Remove old star taps to hand basin and replace with new medical elbow action (code 515/055-21and battle trap as per spec refer to page 14	UNIT	01				
3	Supply and install new paper towel must be mounted folded paper towel dispenser measurement 100x100		01				
						R	
CARRIED TO COLLECTION SUMMARY		PS 3					

SCHEDULE OF RATES

WORK TO BE DONE AT KING EDWARD HOSPITAL AND SCHEDULE OF PRICES:

Item	DESCRIPTION	UNIT	QTY	RATE/ UNIT		TOTAL	
				R	c	R	c
	INSTITUTION:KING EDWARD HOSPITAL						
	ZNQ NO: KEH						
	All rates quoted shall be inclusive of transport, Labour and profit.						
	The Tenderer is advised that the buildings are occupied						
	PROPRIETARY ARTICLES:						
	All equipment and material used in this contract shall be that which is specified or other SABS approved.						
	Patients female toilets						
1	Removed old pan and light duty flush master and replace with flush master F, 2.00 with pan connector C-PM8.20 and offset flush pipe F, TT5, 7 as per specification page 13	UNIT	01				
2	Remove old star taps to hand basin and replace with new medical elbow action (code 515/055-21and battle trap as per spec refer to page 14	UNIT	01				
3	Supply and install new paper towel must be mounted folded paper towel dispenser measurement 100x100	UNIT	01				
	Patient's female toilets next to lift room						
1	Removed old pan and light duty flush master and replace with flush master F, 2.00 with pan connector C-PM8.20 and offset flush pipe F, TT5, 7 as per specification page 13	UNIT	02				
2	Remove old star taps to hand basin and replace with new medical elbow action (code 515/055-21and battle trap as per spec refer to page 14	UNIT	02				
3	Supply and install new paper towel must be mounted folded paper towel dispenser measurement 100x100	UNIT	01				
	Patient's male toilets next to lift room						
1	Removed old pan and light duty flush master and replace with flush master F, 2.00 with pan connector C-PM8.20 and offset flush pipe F, TT5, 7 as per specification page 13	UNIT	02				
2	Remove old star taps to hand basin and replace with new medical elbow action (code 515/055-21and battle trap as per spec refer to page 14	UNIT	02				
3	Supply and install new paper towel must be mounted folded paper towel dispenser measurement 100x100	UNIT	01				
CARRIED TO COLLECTION SUMMARY						R	
PS 4							

SCHEDULE OF RATES

WORK TO BE DONE AT KING EDWARD HOSPITAL AND SCHEDULE OF PRICES:

Item	DESCRIPTION	UNIT	QTY	RATE/ UNIT		TOTAL	
				R	c	R	c
	INSTITUTION: KING EDWARD HOSPITAL						
	ZNO NO: KEH						
	All rates quoted shall be inclusive of transport, Labour and profit. The Tenderer is advised that the buildings are occupied						
	PROPRIETARY ARTICLES: All equipment and material used in this contract shall be that which is specified or other SABS approved.						
	Special clinic:						
	Patient's toilets						
1	Removed old pan and light duty flush master and replace with flush master F, 2.00 with pan connector C-PM8.20 and offset flush pipe F, TT5, 7 as per specification page 13	UNIT	01				
2	Remove old star taps to hand basin and replace with new medical elbow action (code 515/055-21 and battle trap as per spec refer to page 14	UNIT	01				
3	Supply and install new paper towel must be mounted folded paper towel dispenser measurement 100x100	UNIT	01				
	Staff toilets						
1	Removed old pan and light duty flush master and replace with flush master F, 2.00 with pan connector C-PM8.20 and offset flush pipe F, TT5, 7 as per specification page 13	UNIT	01				
2	Remove old star taps to hand basin and replace with new medical elbow action (code 515/055-21 and battle trap as per spec refer to page 14	UNIT	01				
3	Supply and install new paper towel must be mounted folded paper towel dispenser measurement 100x100	UNIT	01				
	GI unit						
	Patient's male toilets						
1	Removed old pan and light duty flush master and replace with flush master F, 2.00 with pan connector C-PM8.20 and offset flush pipe F, TT5, 7 as per specification page 13	UNIT	01				
2	Remove old star taps to hand basin and replace with new medical elbow action (code 515/055-21 and battle trap as per spec refer to page 14	UNIT	01				
3	Supply and install new paper towel must be mounted folded paper towel dispenser measurement 100x100	UNIT	01				
						R	
CARRIED TO COLLECTION SUMMARY		PS 5					

SCHEDULE OF RATES

WORK TO BE DONE AT KING EDWARD HOSPITAL AND SCHEDULE OF PRICES:

Item	DESCRIPTION	UNIT	QTY	RATE/ UNIT		TOTAL		
				R	c	R	c	
	INSTITUTION:KING EDWARD HOSPITAL ZNO NO: KEH All rates quoted shall be inclusive of transport, Labour and profit. The Tenderer is advised that the buildings are occupied							
	PROPRIETARY ARTICLES: All equipment and material used in this contract shall be that which is specified or other SABS approved.							
	GI unit							
	Patient's female toilets							
1	Removed old pan and light duty flush master and replace with flush master F, 2.00 with pan connector C-PM8.20 and offset flush pipe F, TT5, 7 as per specification page 13	UNIT	02					
2	Remove old star taps to hand basin and replace with new medical elbow action (code 515/055-21and battle trap as per spec refer to page 14	UNIT	01					
3	Supply and install new paper towel must be mounted folded paper towel dispenser measurement 100x100	UNIT	01					
	New block theaters							
	Patient's male toilets							
1	Removed old pan and light duty flush master and replace with flush master F, 2.00 with pan connector C-PM8.20 and offset flush pipe F, TT5, 7 as per specification page 13	UNIT	02					
2	Remove old star taps to hand basin and replace with new medical elbow action (code 515/055-21and battle trap as per spec refer to page 14	UNIT	01					
3	Supply and install new paper towel must be mounted folded paper towel dispenser measurement 100x100	UNIT	01					
							R	
CARRIED TO COLLECTION SUMMARY		PS 6						

Item	DESCRIPTION	UNIT	QTY	RATE/ UNIT		TOTAL		
				R	c	R	c	
	INSTITUTION: KING EDWARD HOSPITAL ZNO NO: KEH All rates quoted shall be inclusive of transport, Labour and profit. The Tenderer is advised that the buildings are occupied							
	PROPRIETARY ARTICLES: All equipment and material used in this contract shall be that which is specified or other SABS approved.							
	Patient's female toilets							
1	Removed old pan and light duty flush master and replace with flush master F, 2.00 with pan connector C-PM8.20 and offset flush pipe F, TT5, 7 as per specification page 13	UNIT	01					
2	Remove old star taps to hand basin and replace with new medical elbow action (code 515/055-21 and battle trap as per spec refer to page 14	UNIT	01					
3	Supply and install new paper towel must be mounted folded paper towel dispenser measurement 100x100	UNIT	01					
	Doctors change room toilets							
1	Removed old pan and light duty flush master and replace with flush master F, 2.00 with pan connector C-PM8.20 and offset flush pipe F, TT5, 7 as per specification page 13	UNIT	01					
2	Remove old star taps to hand basin and replace with new medical elbow action (code 515/055-21 and battle trap as per spec refer to page 14	UNIT	01					
3	Supply and install new paper towel must be mounted folded paper towel dispenser measurement 100x100	UNIT	01					
	Nurses change room toilets							
1	Removed old pan and light duty flush master and replace with flush master F, 2.00 with pan connector C-PM8.20 and offset flush pipe F, TT5, 7 as per specification page 13	UNIT	01					
2	Remove old star taps to hand basin and replace with new medical elbow action (code 515/055-21 and battle trap as per spec refer to page 14	UNIT	01					
3	Supply and install new paper towel must be mounted folded paper towel dispenser measurement 100x100	UNIT	01					
							R	
CARRIED TO COLLECTION SUMMARY								
PS 7								

Item	DESCRIPTION	UNIT	QTY	RATE/ UNIT		TOTAL	
				R	c	R	c
	INSTITUTION: KING EDWARD HOSPITAL ZNO NO: KEH All rates quoted shall be inclusive of transport, Labour and profit. The Tenderer is advised that the buildings are occupied						
	PROPRIETARY ARTICLES: All equipment and material used in this contract shall be that which is specified or other SABS approved.						
	Dietician toilets						
	Staff toilets						
1	Removed old pan and light duty flush master and replace with flush master F, 2.00 with pan connector C-PM8.20 and offset flush pipe F, TT5, 7 as per specification page 13	UNIT	01				
2	Remove old star taps to hand basin and replace with new medical elbow action (code 515/055-21 and battle trap as per spec refer to page 14	UNIT	01				
	Patient's toilets						
1	Removed old pan and light duty flush master and replace with flush master F, 2.00 with pan connector C-PM8.20 and offset flush pipe F, TT5, 7 as per specification page 13	UNIT	01				
2	Remove old star taps to hand basin and replace with new medical elbow action (code 515/055-21 and battle trap as per spec refer to page 14	UNIT	01				
	ENT						
	Patient's male toilets						
1	Removed old pan and light duty flush master and replace with flush master F, 2.00 with pan connector C-PM8.20 and offset flush pipe F, TT5, 7 as per specification page 13	UNIT	02				
2	Remove old star taps to hand basin and replace with new medical elbow action (code 515/055-21 and battle trap as per spec refer to page 14	UNIT	02				
3	Remove complete urinal and replace with new chrome plated deep seal battle traps with outlet for 50mm PVC (CODE 34550) to urinal refer to page 16	UNIT	01				
						R	
CARRIED TO COLLECTION SUMMARY		PS 8					

Item	DESCRIPTION	UNIT	QTY	RATE/ UNIT		TOTAL	
				R	c	R	c
	INSTITUTION:KING EDWARD HOSPITAL ZNQ NO: KEH All rates quoted shall be inclusive of transport, Labour and profit. The Tenderer is advised that the buildings are occupied						
	PROPRIETARY ARTICLES: All equipment and material used in this contract shall be that which is specified or other SABS approved.						
	Patient's female toilets						
1	Removed old pan and light duty flush master and replace with flush master F, 2.00 with pan connector C-PM8.20 and offset flush pipe F, TT5, 7 as per specification page 13	UNIT	02				
2	Remove old star taps to hand basin and replace with new medical elbow action (code 515/055-21and battle trap as per spec refer to page 14	UNIT	02				
3	Supply and install new paper towel must be mounted folded paper towel dispenser measurement 100x100	UNIT	01				
	Staff female toilets						
1	Removed old pan and light duty flush master and replace with flush master F, 2.00 with pan connector C-PM8.20 and offset flush pipe F, TT5, 7 as per specification page 13	UNIT	02				
2	Remove old star taps to hand basin and replace with new medical elbow action (code 515/055-21and battle trap as per spec refer to page 14	UNIT	02				
3	Supply and install new paper towel must be mounted folded paper towel dispenser measurement 100x100	UNIT	02				
	Staff male toilets						
1	Removed old pan and light duty flush master and replace with flush master F, 2.00 with pan connector C-PM8.20 and offset flush pipe F, TT5, 7 as per specification page 13	UNIT	02				
2	Remove old star taps to hand basin and replace with new medical elbow action (code 515/055-21and battle trap as per spec refer to page 14	UNIT	02				
3	Remove complete urinal and replace with new chrome plated deep seal battle traps with outlet for 50mm PVC (CODE 34550) to urinal refer to page 16	UNIT	01				
4	Supply and install new paper towel must be mounted folded paper towel dispenser measurement 100x100	UNIT	01				
CARRIED TO COLLECTION SUMMARY							
PS 9							
R							

SCHEDULE OF RATES

WORK TO BE DONE AT KING EDWARD HOSPITAL AND SCHEDULE OF PRICES:

PROJECT
DESCRIPTION:

ZNQ NO: KEH_____

NOTE:

THIS COLLECTION SUMMARY MUST BE COMPLETED IN FULL BY THE CONTRACTOR AND RETURNED TOGETHER WITH THE QUOTATION FORM.

Collection Summary	PS 1	R	
Collection Summary	PS 2	R	
Collection Summary	PS 3	R	
Collection Summary	PS 4	R	
Collection Summary	PS 5	R	
Collection Summary	PS 6	R	
Collection Summary	PS 7	R	
Collection Summary	PS 8	R	
Collection Summary	PS 9	R	
Safety requirements		R	
10% Contingencies		R	
Sub total		R	

Company Director/ Company name

KEH-Maintenance Project Policy

1. Stores issue the Company an order number and company confirms.
2. Stores notify the maintenance department
3. The Company contacts the maintenance department within a period of 2 days to confirm that they have received an order number.
4. Company is given a period of 1 week to compile and submit a work plan, safety requirements as briefed by a safety officer **(In a table form)**
5. Presentation of an official order, work plan
6. No work will be commenced without submitting a work plan and a safety plan.
7. **Company must sign a contractors register and complete the daily job card (This will be done on a daily basis with no fail)**
8. There will be progress meeting every week depending on the project period.

Evaluation criteria

1. The rates must be clear and be on the attached schedule.
2. Collection summary.
3. Schedule of references
4. Detailed work plan showing the all the mile stones. (to cover the contract period)
5. Valid CIDB grading SO, GB – level 3
6. Qualifications of artisan
7. References

Company Director/ Company name

Sign

Date

PROVINCE OF KWAZULU-NATAL
DEPARTMENT OF HEALTH

New block ablutions maintenance and repairs

ZNQ NO: KEH

SCHEDULE OF RATES

3.1 ITEMS AND PRICING

The Department reserves the right to place an order for any quantities of items included in the Schedules. The Schedule of Rates must also not be assumed to include and describe every detail of the supply requirement, but must be taken and read in conjunction with the other parts of the document. Thus the supplier shall not have claim for further payment in respect of any order which may be described or implied in the contract, although apparently no corresponding items are given in the Schedule of Rates. **The supplier shall be deemed to have satisfied himself before quoting as to the correctness and sufficiency of his quote for the contract and of the rates and prices stated in the Schedule of Rates.**

3.2 TAX AND DUTIES

Prices, quoted and paid, must include all customs, excise and import duties, and any other tariffs or taxes levied by the government or statutory body having jurisdiction on the goods provided under this contract, including Value Added Tax (applicable to the current rate).

3.3 RATES

Except where provision is made in the Schedule of Rates, the rates and prices inserted shall be the full rates and prices for the service delivered described under the respective items and shall cover all Labour, transport, overhead charges and profit, etc. as well as the general liabilities, obligations and risks arising out of the Conditions of Contract, the overhead charges and profit being spread proportionately over the rates of the relative items in the Schedule of Rates.

OFFICIAL BRIEFING SESSION / SITE INSPECTION CERTIFICATE KING EDWARD HOSPITAL

Site/Security Office
King Edward Hospital
involved:

New block ablutions maintenance and repairs

Quotation No.
ZNQ NO.: KEH _____

THIS IS TO CERTIFY THAT OF
(_____) VISITED AND INSPECTED THE SITE
ON..... (DATE) AND IS THEREFORE FAMILIAR WITH THE
CIRCUMSTANCES AND THE SCOPE OF THE SERVICE TO BE RENDERED.

.....
SIGNATURE OF TENDERER OR AUTHORISED REPRESENTATIVE

DATE:.....

SCHEDULE OF REFERENCES

References of previous work completed for the department of health or other to be listed below.

PLACE WORK WAS DONE	CONTACT PERSON	PHONE NUMBER	JOB COMPLETED

NB. If this is not filled, your document will not be evaluated.

SIGNATURE OF TENDERER:.....

DATE: