



Quotation Advert

Opening Date: 2020-10-09

Closing Date: 2020-10-20

Closing Time: 11:00

INSTITUTION DETAILS

Institution Name: Bethesda hospital

Province: KwaZulu-Natal

Department or Entity: Department of Health

Division or section: Central Supply Chain Management

Place where goods / services is required: Bethesda hospital

Date Submitted: 2020-10-08

ITEM CATEGORY AND DETAILS

Quotation Number: ZNQ: 254/2021

Item Category: Goods

Item Description: REPLACE ALL DOORS IN OPD & PHARMACY AND ELECTRONIC SECURITY IN THE PHARMACY

Quantity (if supplies): SPEC ATTACH

COMPULSORY BRIEFING SESSION / SITE VISIT

Select Type: Compulsory Site Visit

Date: 2020-10-13

Time: 10H00

Venue: Bethesda Hospital chapel hall

QUOTES CAN BE COLLECTED FROM: print on website/request to bongumusa.mthembu@kznhealth.gov.za

QUOTES SHOULD BE DELIVERED TO: tender box/mail:hlengiwe.nxumalo@kznhealth.gov.za/f 355953187

ENQUIRIES REGARDING THE ADVERT MAY BE DIRECTED TO:

Name: Bongumusa Masango

Email: bongumusa.mthembu@kznhealth.gov.za

Contact Number: 0355953187

Finance Manager Name:

Finance Manager Signature:

UMNYANGO WEZEMPILO
 KWISIFUNDAZWE SAKWAZULU NATAL
 BETHESDA HOSPITAL
 STORES

09 OCT 2020

PRIVATE BAG X602 UBOMBO 3970
 PROVINCE OF KWAZULU NATAL
 DEPARTMENT OF HEALTH

OFFICIAL PRICE PAGE FOR QUOTATIONS

ZNQ NUMBER: 254/20/21

DESCRIPTION: REPLACE ALL DOORS IN OPD & PHARMACY AND ELECTRONIC SECURITY IN THE PHARMACY

SIGNATURE OF BIDDER _____ DATE _____

[By signing this document I hereby agree to all terms and conditions]

CAPACITY UNDER WHICH THIS QUOTE IS SIGNED _____

Item No	Quantity	Description	Brand & model	Country of manufacture	Price	
					R	c
01.	SPEC	REPLACE ALL DOORS IN OPD & PHARMACY AND				
	ATTACH	ELECTRONIC SECURITY IN THE PHARMACY				
		AS PER ATTACHED SPECIFICATION				
		PLEASE ATTACH PRINTED CSD NUMBERS				
VALUE ADDED TAX @ 15% (Only if VAT Vendor)						
TOTAL QUOTATION PRICE (VALIDITY PERIOD 60 Days)						

Does This Offer Comply With The Specification?	Does The Article Conform To The S.A.N.S. / S.A.B.S. Specification?
Is The Price Firm?	State Delivery Period E.G. 1day, 1week

<p>Enquiries regarding the quote may be directed to:</p> <p>Contact Person: BONGUMUSA Tel: 035.595.3167</p> <p>E-Mail Address: bongumusa.mthembu@kznhealth</p>	<p>Enquiries regarding technical information may be directed to:</p> <p>Contact Person: Tel: 035.5953167</p>
--	--

UMNYANGO WEZEMPILO
 KWISIFUNDAZWE SAKWAZULU NATAL
 BETHESDA HOSPITAL
 STORES
 09 OCT 2020
 PRIVATE BAG X602 UBOMBO 3970
 PROVINCE OF KWAZULU NATAL
 DEPARTMENT OF HEALTH

DECLARATION OF INTEREST

1. Any legal person, including persons employed by the state¹, or persons having a kinship with persons employed by the state, including a blood relationship, may make an offer or offers in terms of this invitation to quote (includes a price quotation, advertised competitive quote, limited quote or proposal). In view of possible allegations of favouritism, should the resulting quote, or part thereof, be awarded to persons employed by the state, or to persons connected with or related to them, it is required that the bidder or his/her authorised representative declare his/her position in relation to the evaluating/adjudicating authority where-
 - the bidder is employed by the state; and/or
 - the legal person on whose behalf the bidding document is signed, has a relationship with persons/a person who are/is involved in the evaluation and or adjudication of the quote(s), or where it is known that such a relationship exists between the person or persons for or on whose behalf the declarant acts and persons who are involved with the evaluation and or adjudication of the quote.
2. In order to give effect to the above, the following questionnaire must be completed and submitted with the quote.

- 2.1. Full Name of bidder/representative..... 2.4. Company Registration Number:
- 2.2. Identity Number: 2.5. Tax Reference Number:
- 2.3. Position occupied in the Company (director, trustee, shareholder?);2.6. VAT Registration Number:

2.7. The names of all directors / trustees / shareholders / members, their individual identity numbers, tax reference numbers and, if applicable, employee / persal numbers must be indicated in paragraph 3 below. [TICK APPLICABLE]

2.8. Are you or any person connected with the bidder presently employed by the state? YES NO

2.8.1. If so, furnish the following particulars:
 Name of person / director / trustee / shareholder/ member:
 Name of state institution at which you or the person connected to the bidder is employed:.....
 Position occupied in the state institution:Any other particulars:.....

2.8.2. If you are presently employed by the state, did you obtain the appropriate authority to undertake remunerative work outside employment in the public sector? YES NO

2.8.2.1. If yes, did you attach proof of such authority to the quote document?

(Note: Failure to submit proof of such authority, where applicable, may result in the disqualification of the quote.)

2.8.2.2. If no, furnish reasons for non-submission of such proof:

2.9. Did you or your spouse, or any of the company's directors / trustees / shareholders / members or their spouses conduct business with the state in the previous twelve months? YES NO

2.9.1. If so, furnish particulars:.....

2.10. Do you, or any person connected with the bidder, have any relationship (family, friend, other) with a person employed by the state and who may be involved with the evaluation and or adjudication of this quote? YES NO

2.10.1. If so, furnish particulars:.....

2.11. Are you, or any person connected with the bidder, aware of any relationship (family, friend, other) between any other bidder and any person employed by the state who may be involved with the evaluation and or adjudication of this quote? YES NO

2.11.1. If so, furnish particulars:.....

2.12. Do you or any of the directors / trustees / shareholders / members of the company have any interest in any other related companies whether or not they are bidding for this contract? YES NO

2.12.1. If so, furnish particulars:.....

3. Full details of directors / trustees / members / shareholders.

NB: The Department Of Health will validate details of directors / trustees / members / shareholders on CSD. It is the suppliers' responsibility to ensure that their details are up-to-date and verified on CSD. If the Department cannot validate the information on CSD, the quote will not be considered and passed over as non-compliant according to National Treasury Instruction Note 4 (a) 2016/17.

4. DECLARATION

I, THE UNDERSIGNED (NAME).....CERTIFY THAT THE INFORMATION FURNISHED IN PARAGRAPHS 2.

I ACCEPT THAT THE STATE MAY REJECT THE QUOTE OR ACT AGAINST ME SHOULD THIS DECLARATION PROVE TO BE FALSE.

.....
 Name of bidder Signature Position Date

"State" means -

- a) any national or provincial department, national or provincial public entity or constitutional institution within the meaning of the Public Finance Management Act, 1999 (Act No. 1 of 1999);
- b) any municipality or municipal entity;
- c) provincial legislature;
- d) national Assembly or the national Council of provinces; or
- e) Parliament.

"Shareholder" means a person who owns shares in the company and is actively involved in the management of the enterprise or business and exercises control over the enterprise.

SPECIAL CONTRACT CONDITIONS OF QUOTATIONS

1. AMENDMENT OF CONTRACT

- 1.1. Any amendment to or renunciation of the provisions of the contract shall at all times be done in writing and shall be signed by both parties.

2. CHANGE OF ADDRESS

- 2.1. Bidders must advise the Department of Health (institution where the offer was submitted) should their address (*domicilium citandi et executandi*) details change from the time of bidding to the expiry of the contract.

3. GENERAL CONDITIONS ATTACHED TO THIS QUOTATION

- 3.1. The institution is under no obligation to accept the lowest or any quote.
- 3.2. The price quoted must include VAT (if VAT vendor). However, it must be noted that the department reserves the right to evaluate all quotations excluding VAT as some bidders may not be VAT vendors.
- 3.3. The bidder must ensure the correctness & validity of quote:
(i) *that the price(s), rate(s) & preference quoted cover all for the work/item (s) & accept that any mistakes regarding the price (s) & calculations will be at the bidder's risk*
- 3.4. The bidder must accept full responsibility for the proper execution & fulfilment of all obligations conditions devolving on under this agreement, as the Principal (s) liable for the due fulfilment of this contract.
- 3.5. This quotation will be evaluated based on the 80/20 points system, specification & correctness of information. All required documentation must be completed in full and submitted.
- 3.6. Offers must comply strictly with the specification.
- 3.7. Only offers that meet or are greater than the specification will be considered.
- 3.8. Late quotes will not be considered.
- 3.9. Expired product/s will not be accepted. All products supplied must be valid for a minimum period of six months.
- 3.10. A bidder not registered on the Central Suppliers Database or verification has failed will not be considered.
- 3.11. All delivery costs must be included in the quote price, for delivery at the prescribed destination.
- 3.12. Only firm prices will be accepted. Such prices must remain firm for the contract period. Non-firm prices (including rates of exchange variations) will not be considered.
- 3.13. In cases where different delivery points influence the pricing, a separate pricing schedule must be submitted for each delivery point.
- 3.14. In the event of a bidder having multiple quotes, only the cheapest according to specification will be considered. Furthermore a verification will be done to identify if bidders have multiple companies and are quoting (cover-quoting) for this bid. In such instances only the cheapest bid according to specification will be considered.

4. SPECIAL INSTRUCTIONS AND NOTICES TO BIDDERS REGARDING THE COMPLETION OF THIS QUOTATION.

- 4.1. Unless inconsistent with or expressly indicated otherwise by the context, the singular shall include the plural and vice versa and with words importing the masculine gender shall include the feminine and the neuter.
- 4.2. Under no circumstances whatsoever may the quotation/bid forms be retyped or redrafted. Photocopies of the original bid documentation may be used, but an original signature must appear on such photocopies.
- 4.3. The bidder is advised to check the number of pages and to satisfy himself that none are missing or duplicated.
- 4.4. Quotation submitted must be complete in all respects.
- 4.5. Any alteration made by the bidder must be initialled.
- 4.6. Use of correcting fluid is prohibited
- 4.7. Quotation will be opened in public as soon as practicable after the closing time of quotation.
- 4.8. Where practical, prices are made public at the time of opening quotations.
- 4.9. If it is desired to make more than one offer against any individual item, such offers should be given on a photocopy of the page in question. Clear indication thereof must be stated on the schedules attached.

5. SPECIAL INSTRUCTIONS REGARDING HAND DELIVERED QUOTATIONS

- 5.1. Quotation shall be lodged at the address indicated not later than the closing time specified for their receipt, and in accordance with the directives in the quotation documents.
- 5.2. Each quotation shall be addressed in accordance with the directives in the quotation documents and shall be lodged in a separate sealed envelope, with the name and address of the bidder, the quotation number and closing date indicated on the envelope. The envelope shall not contain documents relating to any quotation other than that shown on the envelope. If this provision is not complied with, such quotations/bids may be rejected as being invalid.
- 5.3. All quotations received in sealed envelopes with the relevant quotation numbers on the envelopes are kept unopened in safe custody until the closing time of the quotation/bids. Where, however, a quotation is received open, it shall be sealed. If it is received without a quotation/bid number on the envelope, it shall be opened, the quotation number ascertained, the envelope sealed and the quotation number written on the envelope.
- 5.4. A specific box is provided for the receipt of quotations, and no quotation found in any other box or elsewhere subsequent to the closing date and time of quotation will be considered.

- 5.5. No quotation/bid sent through the post will be considered if it is received after the closing date and time stipulated in the quotation documentation, and proof of posting will not be accepted as proof of delivery.
- 5.6. Quotation documents must not be included in packages containing samples. Such quotations may be rejected as being invalid.

6. SAMPLES

- 6.1. In the case of the quote document stipulating that samples are required, the supplier will be informed in due course when samples should be provided to the institution. (This decreases the time of safety and storage risk that may be incurred by the respective institution). The bidders sample will be retained if such bidder wins the contract.
 - (i) If a company/s who has not won the quote requires their samples, they must advise the institution in writing of such.
 - (ii) If samples are not collected within three months of close of quote the institution reserves the right to dispose of them at their discretion.
- 6.2. **Samples must be made available when requested in writing or if stipulated on the document.**
 - (i) If a Bidder fails to provide a sample of their product on offer for scrutiny against the set specification when requested, their offer will be rejected. All testing will be for the account of the bidder.

7. COMPULSORY SITE INSPECTION / BRIEFING SESSION

7.1. Bidders who fail to attend the compulsory meeting will be disqualified from the evaluation process.

- (i) The institution has determined that a compulsory site meeting take place
- (ii) Date / / Time : Place

Institution Stamp:	Institution Site Inspection / briefing session Official Full Name: Signature: Date:
--------------------	--

8. STATEMENT OF SUPPLIES AND SERVICES

8.1. The contractor shall, when requested to do so, furnish particulars of supplies delivered or services executed. If he/she fails to do so, the Department may, without prejudice to any other rights which it may have, institute inquiries at the expense of the contractor to obtain the required particulars.

9. SUBMISSION AND COMPLETION OF SBD 6.1

9.1. Should a bidder wish to qualify for preference points they must complete a SBD 6.1 document. Failure by a bidder to provide all relevant information required, will result in such a bidder not being considered for preference point's allocation. The preferences applicable on the closing date will be utilized. Any changes after the closing date will not be considered for that particular quote.

10. TAX COMPLIANCE REQUIREMENTS

- 10.1. In the event that the tax compliance status has failed on CSD, **it is the suppliers' responsibility to provide a SARS pin in order for the institution to validate the tax compliance status of the supplier.**
- 10.2. In the event that the institution cannot validate the suppliers' tax clearance on SARS as well as the Central Suppliers Database, **the quote will not be considered and passed over as non-compliant according to National Treasury Instruction Note 4 (a) 2016/17.**

11. TAX INVOICE

11.1. A tax invoice shall be in the currency of the Republic of South Africa and shall contain the following particulars:

- (i) the name, address and registration number of the supplier;
- (ii) the name and address of the recipient;
- (iii) an individual serialized number and the date upon which the tax invoice is issued;
- (iv) a description and quantity or volume of the goods or services supplied;
- (v) the official department order number issued to the supplier;
- (vi) the value of the supply, the amount of tax charged;
- (vii) the words tax invoice in a prominent place.

12. PATENT RIGHTS

The supplier shall indemnify the **KZN Department of Health** (here after known as the purchaser) against all third-party claims of infringement of patent, trademark, or industrial design rights arising from use of the goods or any part thereof by the purchaser.

13. PENALTIES

- 13.1. If at any time during the contract period, the service provider is unable to perform in a timely manner, the service provider must notify the institution in writing/email of the cause of and the duration of the delay. Upon receipt of the notification, the institution should evaluate the circumstances and, if deemed necessary, the institution may extend the service provider's time for performance.
- 13.2. In the event of delayed performance that extends beyond the delivery period, the institution is entitled to purchase commodities of a similar quantity and quality as a substitution for the outstanding commodities, without terminating the contract, as well as return commodities delivered at a later stage at the service provider's expense.
- 13.3. Alternatively, the institution may elect to terminate the contract and procure the necessary commodities in order to complete the contract. In the event that the contract is terminated the institution may claim damages from the service provider in the form of a penalty. The service provider's performance should be captured on the service provider database in order to determine whether or not the service provider should be awarded any contracts in the future.
- 13.4. If the supplier fails to deliver any or all of the goods or to perform the services within the period(s) specified in the contract, the purchaser shall, without prejudice to its other remedies under the contract, deduct from the contract price, as a penalty, a sum calculated on the delivered price of the delayed goods or unperformed services using the current prime interest rate calculated for each day of the delay until actual delivery or performance.

14. TERMINATION FOR DEFAULT

- 14.1. The purchaser, without prejudice to any other remedy for breach of contract, by written notice of default sent to the supplier, may terminate this contract in whole or in part:
 - (i) if the supplier fails to deliver any or all of the goods within the period(s) specified in the contract,
 - (ii) if the supplier fails to perform any other obligation(s) under the contract; or
 - (iii) if the supplier, in the judgment of the purchaser, has engaged in corrupt or fraudulent practices in competing for or in executing the contract.
- 14.2. In the event the purchaser terminates the contract in whole or in part, the purchaser may procure, upon such terms and in such manner as it deems appropriate, goods, works or services similar to those undelivered, and the supplier shall be liable to the purchaser for any excess costs for such similar goods, works or services.
- 14.3. Where the purchaser terminates the contract in whole or in part, the purchaser may decide to impose a restriction penalty on the supplier by prohibiting such supplier from doing business with the public sector for a period not exceeding 10 years.

15. FAILURE TO COMPLY WITH ABOVE WILL RESULT IN YOUR QUOTE BEING PASSED OVER.

PREFERENCE POINTS CLAIM FORM IN TERMS OF THE PREFERENTIAL PROCUREMENT REGULATIONS 2017

This preference form must form part of all quotes invited. It contains general information and serves as a claim form for preference points for Broad-Based Black Economic Empowerment (B-BBEE) Status Level of Contribution

NB: BEFORE COMPLETING THIS FORM, BIDDERS MUST STUDY THE GENERAL CONDITIONS, DEFINITIONS AND DIRECTIVES APPLICABLE IN RESPECT OF B-BBEE, AS PRESCRIBED IN THE PREFERENTIAL PROCUREMENT REGULATIONS, 2017.

1. GENERAL CONDITIONS

- 1.1 The following preference point systems are applicable to all quotes:
- the 80/20 system for requirements with a Rand value of up to R50 000 000 (all applicable taxes included); and
- 1.2 The value of this quote is estimated to not exceed R50 000 000 (all applicable taxes included) and therefore the 80/20 preference point system shall be applicable.
- 1.3 Points for this quote shall be awarded for:
- (a) Price; and
 - (b) B-BBEE Status Level of Contributor.
- 1.4 The maximum points for this quote is allocated as follows:

	POINTS
PRICE	80
B-BBEE STATUS LEVEL OF CONTRIBUTOR	20
Total points for Price and B-BBEE must not exceed	100

- 1.5 Failure on the part of a bidder to submit proof of B-BBEE Status level of contributor together with the quote, will be interpreted to mean that preference points for B-BBEE status level of contribution are not claimed.
- 1.6 The purchaser reserves the right to require of a bidder, either before a quote is adjudicated or at any time subsequently, to substantiate any claim in regard to preferences, in any manner required by the purchaser.

2. DEFINITIONS

- (a) **"B-BBEE"** means broad-based black economic empowerment as defined in section 1 of the Broad-Based Black Economic Empowerment Act;
- (b) **"B-BBEE status level of contributor"** means the B-BBEE status of an entity in terms of a code of good practice on black economic empowerment, issued in terms of section 9(1) of the Broad-Based Black Economic Empowerment Act;
- (c) **"bid"** means a written offer in a prescribed or stipulated form in response to an invitation by an organ of state for the provision of goods or services, through price quotations, advertised competitive bidding processes or proposals;
- (d) **"Broad-Based Black Economic Empowerment Act"** means the Broad-Based Black Economic Empowerment Act, 2003 (Act No. 53 of 2003);
- (e) **"EME"** means an Exempted Micro Enterprise in terms of a code of good practice on black economic empowerment issued in terms of section 9 (1) of the Broad-Based Black Economic Empowerment Act;
- (f) **"functionality"** means the ability of a tenderer to provide goods or services in accordance with specifications as set out in the tender documents.
- (g) **"prices"** includes all applicable taxes less all unconditional discounts;
- (h) **"proof of B-BBEE status level of contributor"** means:
 - 1) B-BBEE Status level certificate issued by an authorized body or person;
 - 2) A sworn affidavit as prescribed by the B-BBEE Codes of Good Practice;
 - 3) Any other requirement prescribed in terms of the B-BBEE Act;
- (i) **"QSE"** means a qualifying small business enterprise in terms of a code of good practice on black economic empowerment issued in terms of section 9 (1) of the Broad-Based Black Economic Empowerment Act;
- (j) **"rand value"** means the total estimated value of a contract in Rand, calculated at the time of bid invitation, and includes all applicable taxes;

3. POINTS AWARDED FOR PRICE

3.1 THE 80/20 PREFERENCE POINT SYSTEMS

A maximum of 80 points is allocated for price on the following basis:

$$P_s = 80 \left(1 - \frac{P_t - P_{\min}}{P_{\min}} \right) \text{ Where}$$

- Ps = Points scored for price of bid under consideration
- Pt = Price of bid under consideration ;
- Pmin = Price of lowest acceptable bid

4. POINTS AWARDED FOR B-BBEE STATUS LEVEL OF CONTRIBUTOR

4.1 In terms of Regulation 6 (2) and 7 (2) of the Preferential Procurement Regulations, preference points must be awarded to a bidder for attaining the B-BBEE status level of contribution in accordance with the table below:

B-BBEE Status Level of Contributor	Number of points (80/20 system)
1	20
2	18
3	14
4	12
5	8
6	6
7	4
8	2
Non-compliant contributor	0

5. BID DECLARATION

5.1 Bidders who claim points in respect of B-BBEE Status Level of Contribution must complete the following:

6. B-BBEE STATUS LEVEL OF CONTRIBUTOR CLAIMED IN TERMS OF PARAGRAPHS 1.4 AND 4.1

6.1 B-BBEE Status Level of Contributor: = (maximum of 20 points)

(Points claimed in respect of paragraph 7.1 must be in accordance with the table reflected in paragraph 4.1 and must be substantiated by relevant proof of B-BBEE status level of contributor.

7. SUB-CONTRACTING

(Tick applicable box)

7.1 Will any portion of the contract be sub-contracted?

YES	<input type="checkbox"/>	NO	<input type="checkbox"/>
-----	--------------------------	----	--------------------------

7.1.1 If yes, indicate:

- i) What percentage of the contract will be subcontracted.....%
- ii) The name of the sub-contractor.....
- iii) The B-BBEE status level of the sub-contractor.....

8. Whether the sub-contractor is an EME or QSE

(Tick applicable box)

iv) Specify, by ticking the appropriate box, if subcontracting with an enterprise in terms of Preferential Procurement Regulations, 2017:

YES	<input type="checkbox"/>	NO	<input type="checkbox"/>
-----	--------------------------	----	--------------------------

Designated Group: An EME or QSE which is at least 51% owned by:	EME √	QSE √
Black people		
Black people who are youth		
Black people who are women		
Black people with disabilities		
Black people living in rural or underdeveloped areas or townships		
Cooperative owned by black people		
Black people who are military veterans		
OR		
Any EME		
Any QSE		

9. DECLARATION WITH REGARD TO COMPANY/FIRM

9.1 Name of company/firm:.....

9.2 VAT registration number:.....

9.3 Company registration number:.....

9.4 TYPE OF COMPANY/ FIRM [TICK APPLICABLE BOX]

- Partnership/Joint Venture / Consortium
- One person business/sole propriety
- Close corporation
- Company
- (Pty) Limited

9.5 DESCRIBE PRINCIPAL BUSINESS ACTIVITIES

.....
.....

9.6 COMPANY CLASSIFICATION [TICK APPLICABLE BOX]

- Manufacturer
- Supplier
- Professional service provider
- Other service providers, e.g. transporter, etc.

9.7 Total number of years the company/firm has been in business:.....

9.8 I/we, the undersigned, who is / are duly authorised to do so on behalf of the company/firm, certify that the points claimed, based on the B-BBE status level of contributor indicated in paragraphs 1.4 and 6.1 of the foregoing certificate, qualifies the company/ firm for the preference(s) shown and I / we acknowledge that:

- i) The information furnished is true and correct;
- ii) The preference points claimed are in accordance with the General Conditions as indicated in paragraph 1 of this form;
- iii) In the event of a contract being awarded as a result of points claimed as shown in paragraphs 1.4 and 6.1, the contractor may be required to furnish documentary proof to the satisfaction of the purchaser that the claims are correct;
- iv) If the B-BBEE status level of contributor has been claimed or obtained on a fraudulent basis or any of the conditions of contract have not been fulfilled, the purchaser may, in addition to any other remedy it may have –
 - (a) disqualify the person from the bidding process;
 - (b) recover costs, losses or damages it has incurred or suffered as a result of that person's conduct;
 - (c) cancel the contract and claim any damages which it has suffered as a result of having to make less favourable arrangements due to such cancellation;
 - (d) recommend that the bidder or contractor, its shareholders and directors, or only the shareholders and directors who acted on a fraudulent basis, be restricted by the National Treasury from obtaining business from any organ of state for a period not exceeding 10 years, after the *audi alteram partem* (hear the other side) rule has been applied; and
 - (e) forward the matter for criminal prosecution.

WITNESSES	
1.
2.

..... SIGNATURE(S) OF BIDDERS(S)
DATE:
ADDRESS.....



health

Department:
Health
PROVINCE OF KWAZULU-NATAL

Physical Address: Ubombo Main Road, Ubombo
Postal Address: P/Bag x 602, UBOMBO, 3970
Tel: 035 595 1004; Fax: 035 595 1973 Email: vusi.mbalha@kznhlth.gov.za

BETHESDA HOSPITAL

HEALTH PROMOTION HOSPITAL

PROVINCE OF KWAZULU-NATAL: DEPARTMENT OF HEALTH

BETHESDA DISTRICT HOSPITAL

Project name: Replace All doors in OPD & Pharmacy and Electronic Security in the Pharmacy

Site Name: Bethesda Hospital

QUOTATION NO: _____

1. Retainable document during tender submission

- Signed tender document
- Valid tax Clearance
- Valid BBBEE Certificate
- Valid GB/CE CIDB Grade

2. Evaluation Criteria

- Valid tax Clearance
- Valid BBBEE Certificate
- Valid GB/CE CIDB Grade
- Valid CSD

5. Terms and condition

CONTRACT TERMS AND CONDITIONS

The following terms and conditions the contract shall comply with before and while is on process of the project.

- The contractor shall start the project after he/she have an official order.
- Sign all necessary documentation.
- Submitted written program of the project. The programme shall have full information how the project will be done, start date and when it will be finished.
- The contractor shall finish the project on the date which is agreed on.
- If there is any delay the contractor shall submit in written report with full information to the project manager
- The contactor shall submit a safety plan and waste management plan.

No payment shall be done until the project is completely done as per specification including Cleaning and tidy the site and hand over to the project manager.

The complete installation/job done shall be guaranteed for a period of twelve (12) months calculated from the date of site acceptance by the administration. (First delivery), any fault or defect in material or workmanship discovered during the guarantee period shall be immediately attended to by the contractor, at no cost to, and to the complete satisfaction of the administration.

Performance and quality must satisfying the department, if not the department has the right to cancel the order and the contract is liable for all expenses accumulated in that regard.

Contractor period

The contract period for the completion of the project will be 8 weeks calculated from the date of official site handover to the contractor.

Technical Enquiries

All technical enquiries pertaining to this project can be directed to: Mr. V E Mbatha (maintenance section) 035 595 3100 EXT:3128

The contractor is bided by the terms and conditions of the above maintained and must comply if not he/she will be paying penalty 10% per day for non-completion within the contract period time or any extension of time granted. The contractor is liable for all expenses accumulated in the regard if the order is cancelled.

Contractor Representative: _____ Sign : _____

Date: _____

Company stamp

This document shall be sign and submitted with your tender documentation

6. GENERAL INFORMATION

6.1 VISIT SITE: - The tenders are to visit the site prior to tendering and satisfy themselves as to the nature and extent of the work to be done, also to examine the condition of all buildings as no claim to entertained on the grounds of ignorance of the condition under which the work was to be executed.

- The contractor will start work once an official order number is issued.
- The contractor must not take more than **eight (8) weeks** to complete the work **including VOs**.
- The contractor workmanship and material must be approved by SABS and guaranteed.
- The contractor must at all times adhere to the Health and safety regulations and contraction act.
- The contractor must not damage any equipment or fixture as he will be responsible by claim.
- The contractor must not disrupt service and prior arrangement must be made with Chief ART or Artisan Foreman.
- The contractor staff must be cleared identifiable-with name of the company and the hospital is not responsible for any theft of contractor's equipment and materials.
- The contractor must move all dirt/rubble of site and leave the area /department neat and clean.
- Contractor to sign on the in the contract's register every time they are on site.
- *The hospital is not responsible to loan contractor Labour, tools, machines and ladders or any other item.*
- As the work proceeds it is the duty of the contractor to have the work checked by an official.
- Poor quality of workmanship will not be acceptable and that could affect payment for the work done.
- **It is a duty of the contractor to have correct spec for the project**
- **When contractor com to start the project the contractor must have the spec on the hands it is a duty of the contract to make sure about that**

6.2 Obstacles on site

The building that you have to work on is occupied by the staff, you will have to work around them but make sure that the service is not disturbed. The contractor must make arrangements with CHIEF ART or FOREMEN in time when you are coming to start. The contractor must try by all means to limit the dust as much as he/she can because of staff living in

All building works shall be in according with the Standard Preambles of all Trades.

Health and Safety Specification

Health and safety Plan with Risk assessment schedule is to be compiled taking cognizance of the specific type of patient's that walk around the institution all day.

All areas are to be protected at all times from patients falling in. All new and old materials are to be securely stored during constriction to eliminate any person from rolling to them or playing inside them.

6.3 Reporting

Prior agreement must be done with Chief Artisan / Artisan Foreman

The contract must always report to Chief Artisan / Artisan Foreman before starting working and signing contractor logbook time in & time out. On the completion of the project inspection will be done with Chief Artisan / Artisan Foreman then hand over the site.

NB: The work place must be left health and clean, if that is not done the project will be taken as incomplete and they will be no payment will be processed

Specification of automatic sliding door

Basic information:

Material: aluminium frame and shatterproof glass

Open style: Sliding

Special Function : Security

Surface Finishing : Finished

Type: Air tight

Opening type: Induced

Specification : ISO9001/2008

HS Code: 7303500

Description

Door plate is made of High grade aluminium stud sheet powder Coated, thickness 1mm.

Door panel with SS304 edge covers

Core material is good quality alum ally Honey comb t thickness of 40mm.

150mm SS304 kick plate in thinness 1mm, From 850 mm above the ground both inside and outside room.

Build-in type operator system, profile in alum ally material and with SS304 cover , matt finish surface.

It must designed frame view window with special handle when power failure, door can be easy open manually.

It must be foot sensor so that the door will be open before you tosh it.

It must be fitted with safety beam to reduce the chances of hurt when barriers at the door gate.

The air tight must be able to realized through the coordinate work between the special corresponding to the idler pulley and the guide rail and the combined action between the special groove in the bottom of the sliding door and the small positioning pole.

Product features

To build the track rail and door plate in the wall and make it plane to the wall. Looks elegant of the entire area. Strong door plate and operation system can minimize the cold air and dust isolated outside and the temperature and witness inside room wall kept, and environmental friendly and energy saving.

Technical data

Door Leaf weight: max 150kg
Door width: DW=1070mm-1570m
Opens speed: D250-550mm/s(adjustable)
Closing speed: D250-550mm/s(adjustable)
Open Delay timed: 2-20s (adjustable)
Closing force: >70N
Manual open force :<70N
Power consumption :<150W

Food Sensor OZ2507

Feature: Automatic will door open/close that opposite to the previous state after the tiptoe touch.

OZ1802 Emergency power:

Feature: For use in emergent situation if the normal power is shut off the emergent power can be used for automatic door system to open or close the door for only ones

Specification

The contractor must break the existing wall to be able to fit new aluminium door farm and door as per list given.

Plaster and paint the wall marching the existing with all aspect

Aluminium material shall be approved by SABS with stamp on each part

All glasses shall be Approved By SABS and it must be shatterproof

Electric door shall be controlled from inside the position will be pointed on side

Expanding burglar guard must be SABS approved with 2 keys

All doors will be clear shatterproof glass on the top with door handles

The contractor must install door and door frames to march new doors

The contractor will design the new aluminium door same as existing ones unless the official instructed

The bell door and electronic locker system shall be installing in pharmacy and the control point will pointed by project leader on site

7. Bills of quantity

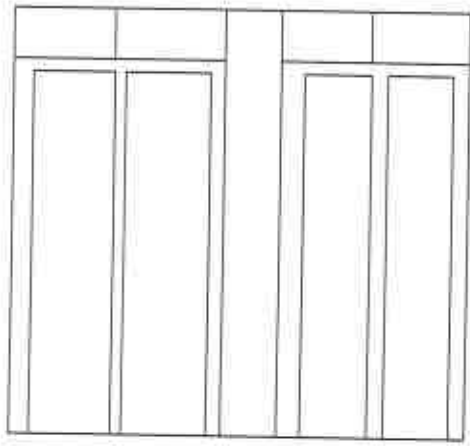
7.1. Replace All doors in OPD & Pharmacy and Electronic Security in the Pharmacy

The specification shall be read Inco-junction with the drawing. The quotation shall include labour and material

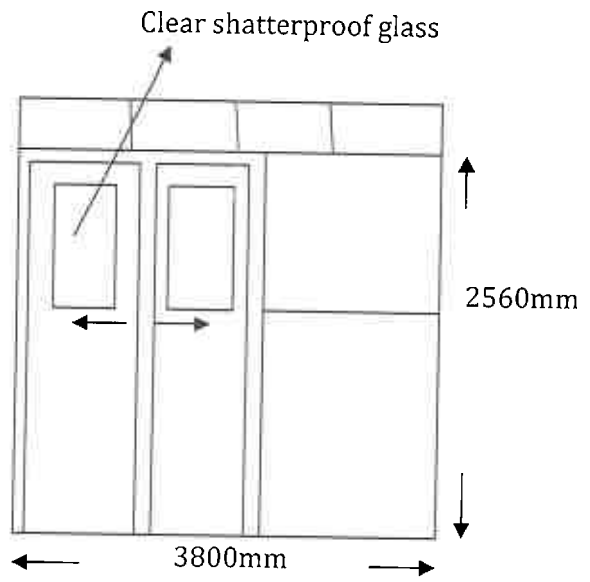
Item No	Description	QTY	Total Price
1. Consultant rooms:	Remove the existing wooden sliding doors in all rooms. Supply and fit new aluminium door which is opening sideways. All must be lockable, the contractor shall issue 3keys on each door	8	
2. OPD Main doors	Remove the existing door. Supply and install new aluminium doors with viewing glass on top. The door shall be automatic operated as per above specification. It shall slide sideways. It must be fitted with sensor to open and close And must also fitted with the emergency power	2	
3. Pharmacy	Replace the existing with aluminium door. The must be door open to the wall side with door hinges on the side. The contractor to fit new electric locking system and electric door bell. Supply and fit new expanding burglar with locker	1	
4. Passages doors Pharmacy	Remove the existing double door and replace with new aluminium double door in all passage as listed. Supply and install new locker in all doors	5	
5. ICU/Orthopaedic Theatre	The contractor must remove the existing door and dray wall. Supply and fit new aluminium from walls and fit new double doors and it must be lockable with key.		
6. ICU ward	Remove the existing and supply and fit new aluminium doors must be able to swing both side incoming and outgoing. One door is big single door	2 1	

Item No	Description	QTY	Total Price
7. Theatre doors	Remove the existing double door and replace with new aluminium double door which can swing inside and outside	2	
8. CCV Camera	Supply and install new SABS approved CCV camera complete with screen and hard Drive. The contractor shall install cameras on the appointed area and allowed 7 x cameras. We shall be able to retrieve video which was recorded 6 month ago from the time you want retrieve. The contractor shall allow for electric supply and extension of camera wire.	1	

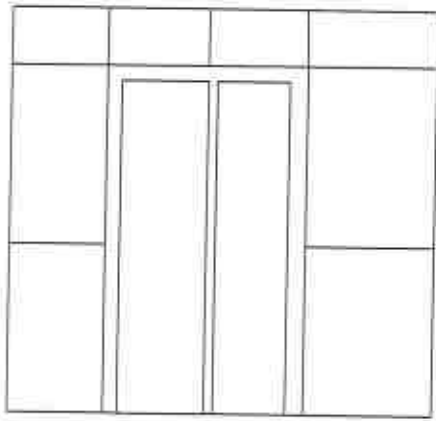
TOTAL



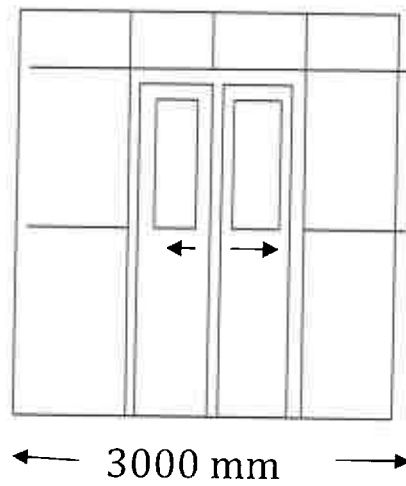
The existing one main door OPD



The new one to install main Door OPD

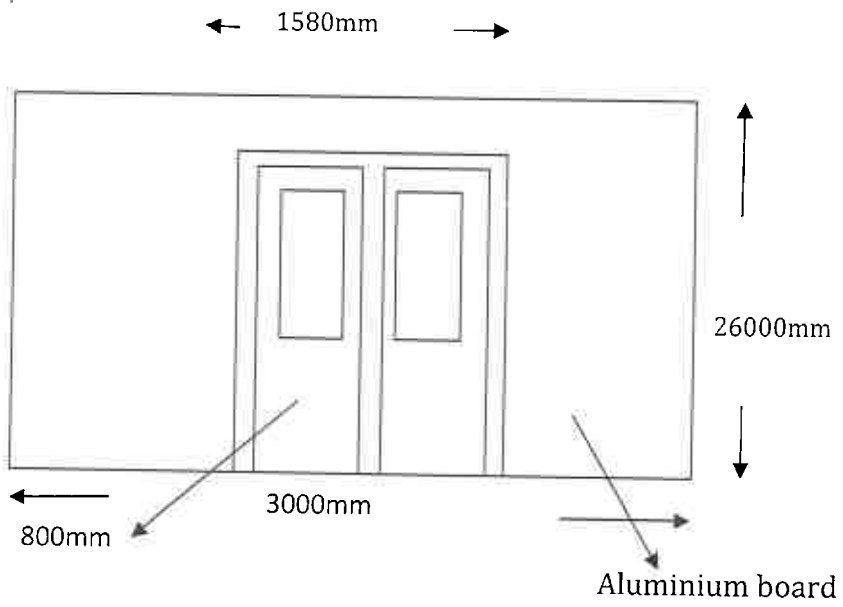


The existing Double Door OPD

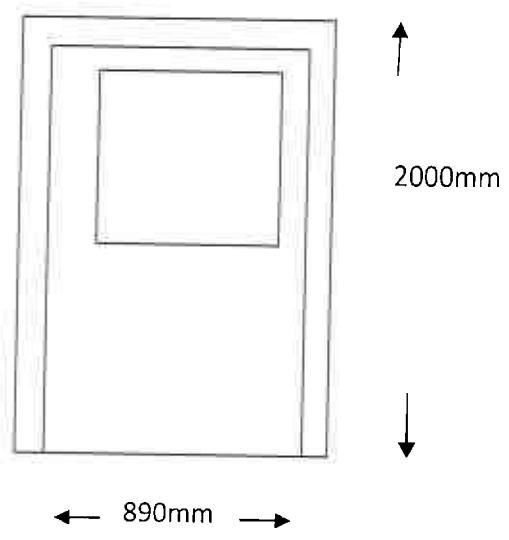


New to install in OPD

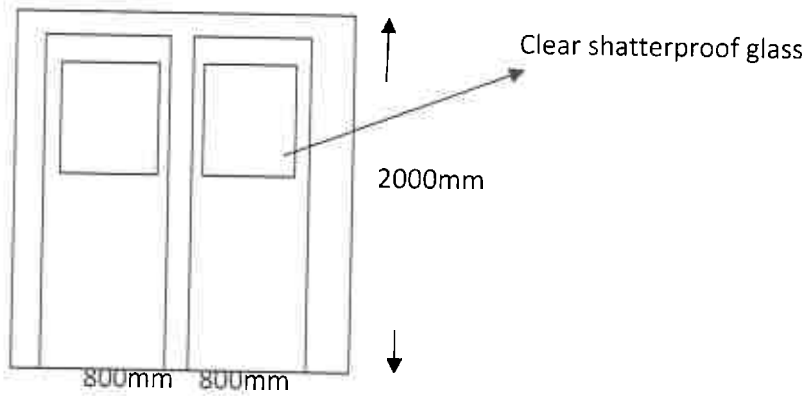
This door must be Electrical automatic opening and closing with sensor and emergent power



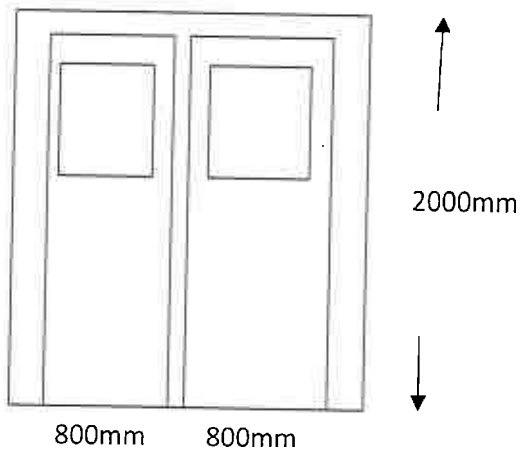
ICU/Orthopaedic Theatre double door
 This will be same but it must be done in aluminium



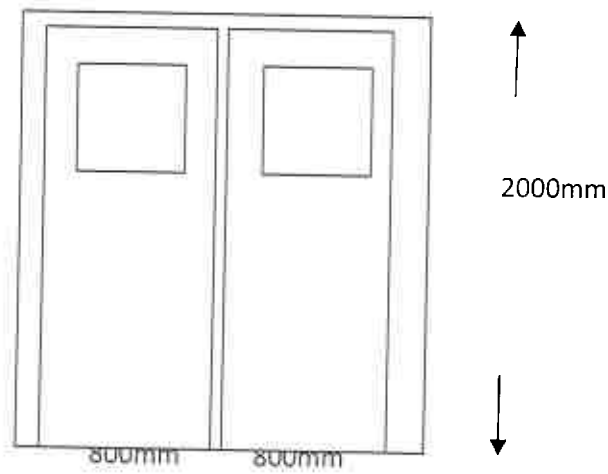
The existing will be as the new one but it must be aluminium



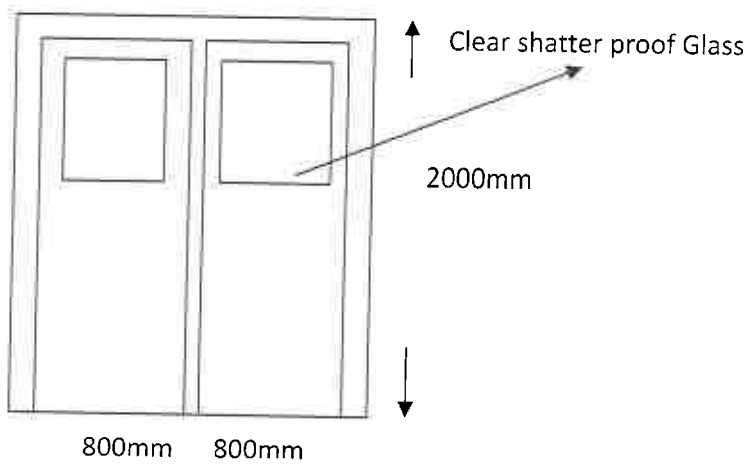
ICU ward double door to install as existing one but it must be Aluminium



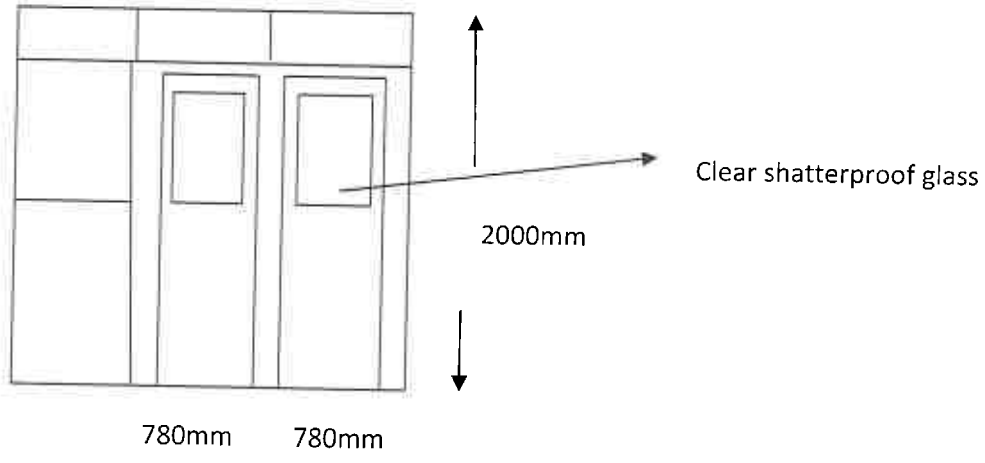
For Theater 1 and 2 it must be aluminium



Pharmacy double door must be aluminium and burglar guard with electric locker



Pharmacy double door aluminium with shatterproof glass



Pharmacy passage double door