



KZN HEALTH

## KZN Health Intranet

HOME CORPORATE INFORMATION COMPONENTS DIRECTORY DISTRICT OFFICES HEALTH FACILITIES

KZN Health > Components > Supply Chain Management

### AdvertQuote



## Quotation Advert

<b>Opening Date:</b>	2021-12-10	<input type="text"/>
<b>Closing Date:</b>	2021-12-20	<input type="text"/>
<b>Closing Time:</b>	11:00	<input type="text"/>

### INSTITUTION DETAILS

<b>Institution Name:</b>	St Andrews hospital	<input type="text"/>
<b>Province:</b>	KwaZulu-Natal	<input type="text"/>
<b>Department or Entity:</b>	Department of Health	<input type="text"/>
<b>Division or section:</b>	Central Supply Chain Management	<input type="text"/>
<b>Place where goods / services is required</b>	St Andrews Hospital	<input type="text"/>
<b>Date Submitted</b>	2021-12-10	<input type="text"/>

### ITEM CATEGORY AND DETAILS

<b>Quotation Number:</b>	ZNQ: SAH: 362/21/22	<input type="text"/>
<b>Item Category:</b>	Services	<input type="text"/>
<b>Item Description:</b>	INSTALLATION OF BED PAN WASHER, WRACK & SINK IN THE NEW SLUICE ROOM	<input type="text"/>

**Quantity (if supplies)**

### COMPULSORY BRIEFING SESSION / SITE VISIT

<b>Select Type:</b>	Compulsory Briefing Session	<input type="text"/>
<b>Date :</b>	2021-12-14	<input type="text"/>
<b>Time:</b>	13H00	<input type="text"/>
<b>Venue:</b>	St Andrews Hospital	<input type="text"/>

**QUOTES CAN BE COLLECTED FROM:**

**QUOTES SHOULD BE DELIVERED TO:** DEPOSITE QUOTES IN THE TENDER BOX SUITED IN THE MAIN BOTTOM SECURITY GATE OR SEND TO [Nkosindiphile.Mdingi@kznhealth.gov.za](mailto:Nkosindiphile.Mdingi@kznhealth.gov.za)

### ENQUIRIES REGARDING THE ADVERT MAY BE DIRECTED TO:

<b>Name:</b>	MR N MBUTHUMA	<input type="text"/>
<b>Email:</b>	Nhlanhla.Mbuthuma@kznhealth.gov.za	<input type="text"/>
<b>Contact Number:</b>	039 433 1955	<input type="text"/>
<b>Finance Manager Name:</b>	MR N MDINGI	<input type="text"/>

**Finance Manager Signature:** 

No late quotes will be considered



OFFICIAL PRICE PAGE FOR QUOTATIONS

ZNQ NUMBER: SAH: 362/21/22

DESCRIPTION: INSTALLATION OF BED PAN WASHER, RACK AND SINK

SIGNATURE OF BIDDER ..... DATE.....  
 [By signing this document I hereby agree to all terms and conditions]

CAPACITY UNDER WHICH THIS QUOTE IS SIGNED.....

Item No	Quantity	Description	Brand & model	Country of manufacture	Price	
					R	c
		KINDLY QUOTE TO SUPPLY AND DELIVER THE FOLLOWING ITEMS				
		INSTALLATION OF BED PAN WASHER, RACK AND SINK IN THE NEW SLUICE AS PER ATTACHED SPECIFICATION				
		NB:SUBMIT QUOTATION WITH THE FOLLOWING DOCUMENTS:				
		1. CSD				
		2. BBBEE				
		3.SARS PIN				
		NB: SEE SPECIFICATION ATTACHED				
		NB:STRICTLY COMPLY WITH THE DELIVERY PERIOD.				
VALUE ADDED TAX @ 15% (Only if VAT Vendor)						
TOTAL QUOTATION PRICE (VALIDITY PERIOD 60 Days)						

Does This Offer Comply With The Specification? Is The Price Firm?	Does The Article Conform To The S.A.N.S. / S.A.B.S. Specification? State Delivery Period E.G. E.G. 1day, 1week
--	---

<p><b>Enquiries regarding the quote may be directed to:</b></p> <p>Contact Person: MR. MBUTHUIMA Tel: 0394331955</p> <p>E-Mail Address: Nhlanhla.Mbuthuma@kznhealth</p>	<p><b>Enquiries regarding technical information may be directed to:</b></p> <p>Contact Person: ..... Tel: .....</p>
---	---

DECLARATION OF INTEREST

1. Any legal person, including persons employed by the state<sup>1</sup>, or persons having a kinship with persons employed by the state, including a blood relationship, may make an offer or offers in terms of this invitation to quote (includes a price quotation, advertised competitive quote, limited quote or proposal). In view of possible allegations of favouritism, should the resulting quote, or part thereof, be awarded to persons employed by the state, or to persons connected with or related to them, it is required that the bidder or his/her authorised representative declare his/her position in relation to the evaluating/adjudicating authority where-
  - the bidder is employed by the state; and/or
  - the legal person on whose behalf the bidding document is signed, has a relationship with persons/a person who are/is involved in the evaluation and or adjudication of the quote(s), or where it is known that such a relationship exists between the person or persons for or on whose behalf the declarant acts and persons who are involved with the evaluation and or adjudication of the quote.
2. In order to give effect to the above, the following questionnaire must be completed and submitted with the quote.

- |  |   |
|--|---|
| 2.1. Full Name of bidder/representative.....   | 2.4. Company Registration Number: ..... |
| 2.2. Identity Number: .....  | 2.5. Tax Reference Number: .....        |
| 2.3. Position occupied in the Company (director, trustee, shareholder <sup>2</sup> ):..... | 2.6. VAT Registration Number: .....     |

2.7. The names of all directors / trustees / shareholders / members, their individual identity numbers, tax reference numbers and, if applicable, employee / persal numbers must be indicated in paragraph 3 below. [TICK APPLICABLE]

2.8. Are you or any person connected with the bidder presently employed by the state? YES  NO

2.8.1. If so, furnish the following particulars:  
 Name of person / director / trustee / shareholder/ member: .....  
 Name of state institution at which you or the person connected to the bidder is employed:.....  
 Position occupied in the state institution: .....Any other particulars:.....

2.8.2. If you are presently employed by the state, did you obtain the appropriate authority to undertake remunerative work outside employment in the public sector? YES  NO

2.8.2.1. If yes, did you attach proof of such authority to the quote document?

*(Note: Failure to submit proof of such authority, where applicable, may result in the disqualification of the quote.)*

2.8.2.2. If no, furnish reasons for non-submission of such proof: .....

2.9. Did you or your spouse, or any of the company's directors / trustees / shareholders / members or their spouses conduct business with the state in the previous twelve months? YES  NO

2.9.1. If so, furnish particulars:.....

2.10. Do you, or any person connected with the bidder, have any relationship (family, friend, other) with a person employed by the state and who may be involved with the evaluation and or adjudication of this quote? YES  NO

2.10.1. If so, furnish particulars:.....

2.11. Are you, or any person connected with the bidder, aware of any relationship (family, friend, other) between any other bidder and any person employed by the state who may be involved with the evaluation and or adjudication of this quote? YES  NO

2.11.1. If so, furnish particulars:.....

2.12. Do you or any of the directors / trustees / shareholders / members of the company have any interest in any other related companies whether or not they are bidding for this contract? YES  NO

2.12.1. If so, furnish particulars:.....

**3. Full details of directors / trustees / members / shareholders.**

NB: The Department Of Health will validate **details of directors / trustees / members / shareholders** on CSD. It is the suppliers' responsibility to ensure that their details are up-to-date and verified on CSD. If the Department cannot validate the **information** on CSD, the quote will not be considered and passed over as non-compliant according to National Treasury Instruction Note 4 (a) 2016/17.

**4 DECLARATION**

I, THE UNDERSIGNED (NAME).....CERTIFY THAT THE INFORMATION FURNISHED IN PARAGRAPHS 2.

I ACCEPT THAT THE STATE MAY REJECT THE QUOTE OR ACT AGAINST ME SHOULD THIS DECLARATION PROVE TO BE FALSE.

.....	.....	.....	.....
Name of bidder	Signature	Position	Date

<sup>1</sup>"State" means –

- |   |   |
|---|---|
| a) any national or provincial department, national or provincial public entity or constitutional institution within the meaning of the Public Finance Management Act, 1999 (Act No. 1 of 1999); | c) provincial legislature;                                    |
| b) any municipality or municipal entity;  | d) national Assembly or the national Council of provinces; or |
|   | e) Parliament.  |

<sup>2</sup>"Shareholder" means a person who owns shares in the company and is actively involved in the management of the enterprise or business and exercises control over the enterprise.



## SPECIAL CONTRACT CONDITIONS OF QUOTATIONS

### 1. AMENDMENT OF CONTRACT

- 1.1. Any amendment to or renunciation of the provisions of the contract shall at all times be done in writing and shall be signed by both parties.

### 2. CHANGE OF ADDRESS

- 2.1. Bidders must advise the Department of Health (institution where the offer was submitted) should their address (*domicilium citandi et executandi*) details change from the time of bidding to the expiry of the contract.

### 3. GENERAL CONDITIONS ATTACHED TO THIS QUOTATION

- 3.1. The institution is under no obligation to accept the lowest or any quote.
- 3.2. The price quoted must include VAT (if VAT vendor). However, it must be noted that the department reserves the right to evaluate all quotations excluding VAT as some bidders may not be VAT vendors.
- 3.3. The bidder must ensure the correctness & validity of quote:
- (i) *that the price(s), rate(s) & preference quoted cover all for the work/item (s) & accept that any mistakes regarding the price (s) & calculations will be at the bidder's risk*
- 3.4. The bidder must accept full responsibility for the proper execution & fulfilment of all obligations conditions devolving on under this agreement, as the Principal (s) liable for the due fulfilment of this contract.
- 3.5. This quotation will be evaluated based on the 80/20 points system, specification & correctness of information. All required documentation must be completed in full and submitted.
- 3.6. Offers must comply strictly with the specification.
- 3.7. Only offers that meet or are greater than the specification will be considered.
- 3.8. Late quotes will not be considered.
- 3.9. Expired product/s will not be accepted. All products supplied must be valid for a minimum period of six months.
- 3.10. A bidder not registered on the Central Suppliers Database or verification has failed will not be considered.
- 3.11. All delivery costs must be included in the quote price, for delivery at the prescribed destination.
- 3.12. Only firm prices will be accepted. Such prices must remain firm for the contract period. Non-firm prices (including rates of exchange variations) will not be considered.
- 3.13. In cases where different delivery points influence the pricing, a separate pricing schedule must be submitted for each delivery point.
- 3.14. In the event of a bidder having multiple quotes, only the cheapest according to specification will be considered. Furthermore a verification will be done to identify if bidders have multiple companies and are quoting (cover-quoting) for this bid. In such instances only the cheapest bid according to specification will be considered.

### 4. SPECIAL INSTRUCTIONS AND NOTICES TO BIDDERS REGARDING THE COMPLETION OF THIS QUOTATION.

- 4.1. Unless inconsistent with or expressly indicated otherwise by the context, the singular shall include the plural and vice versa and with words importing the masculine gender shall include the feminine and the neuter.
- 4.2. Under no circumstances whatsoever may the quotation/bid forms be retyped or redrafted. Photocopies of the original bid documentation may be used, but an original signature must appear on such photocopies.
- 4.3. The bidder is advised to check the number of pages and to satisfy himself that none are missing or duplicated.
- 4.4. Quotation submitted must be complete in all respects.
- 4.5. Any alteration made by the bidder must be initialled.
- 4.6. Use of correcting fluid is prohibited
- 4.7. Quotation will be opened in public as soon as practicable after the closing time of quotation.
- 4.8. Where practical, prices are made public at the time of opening quotations.
- 4.9. If it is desired to make more than one offer against any individual item, such offers should be given on a photocopy of the page in question. Clear indication thereof must be stated on the schedules attached.

### 5. SPECIAL INSTRUCTIONS REGARDING HAND DELIVERED QUOTATIONS

- 5.1. Quotation shall be lodged at the address indicated not later than the closing time specified for their receipt, and in accordance with the directives in the quotation documents.
- 5.2. Each quotation shall be addressed in accordance with the directives in the quotation documents and shall be lodged in a separate sealed envelope, with the name and address of the bidder, the quotation number and closing date indicated on the envelope. The envelope shall not contain documents relating to any quotation other than that shown on the envelope. If this provision is not complied with, such quotations/bids may be rejected as being invalid.
- 5.3. All quotations received in sealed envelopes with the relevant quotation numbers on the envelopes are kept unopened in safe custody until the closing time of the quotation/bids. Where, however, a quotation is received open, it shall be sealed. If it is received without a quotation/bid number on the envelope, it shall be opened, the quotation number ascertained, the envelope sealed and the quotation number written on the envelope.
- 5.4. A specific box is provided for the receipt of quotations, and no quotation found in any other box or elsewhere subsequent to the closing date and time of quotation will be considered.

- 5.5. No quotation/bid sent through the post will be considered if it is received after the closing date and time stipulated in the quotation documentation, and proof of posting will not be accepted as proof of delivery.
- 5.6. Quotation documents must not be included in packages containing samples. Such quotations may be rejected as being invalid.

**6. SAMPLES**

- 6.1. In the case of the quote document stipulating that samples are required, the supplier will be informed in due course when samples should be provided to the institution. (This decreases the time of safety and storage risk that may be incurred by the respective institution). The bidders sample will be retained if such bidder wins the contract.
  - (i) If a company/s who has not won the quote requires their samples, they must advise the institution in writing of such.
  - (ii) If samples are not collected within three months of close of quote the institution reserves the right to dispose of them at their discretion.
- 6.2. **Samples must be made available when requested in writing or if stipulated on the document.**
  - (i) If a Bidder fails to provide a sample of their product on offer for scrutiny against the set specification when requested, their offer will be rejected. All testing will be for the account of the bidder.

**7. COMPULSORY SITE INSPECTION / BRIEFING SESSION**

7.1. Bidders who fail to attend the compulsory meeting will be disqualified from the evaluation process.

- (i) The institution has determined that a compulsory site meeting [redacted] take place
- (ii) Date [redacted] / [redacted] / [redacted] Time [redacted]:[redacted] Place [redacted]

Institution Stamp:	Institution Site Inspection / briefing session Official  Full Name: .....  Signature: .....  Date: .....
--------------------	--

**8. STATEMENT OF SUPPLIES AND SERVICES**

8.1. The contractor shall, when requested to do so, furnish particulars of supplies delivered or services executed. If he/she fails to do so, the Department may, without prejudice to any other rights which it may have, institute inquiries at the expense of the contractor to obtain the required particulars.

**9. SUBMISSION AND COMPLETION OF SBD 6.1**

9.1. Should a bidder wish to qualify for preference points they must complete a SBD 6.1 document. Failure by a bidder to provide all relevant information required, will result in such a bidder not being considered for preference point's allocation. The preferences applicable on the closing date will be utilized. Any changes after the closing date will not be considered for that particular quote.

**10. TAX COMPLIANCE REQUIREMENTS**

- 10.1. In the event that the tax compliance status has failed on CSD, **it is the suppliers' responsibility to provide a SARS pin in order for the institution to validate the tax compliance status of the supplier.**
- 10.2. In the event that the institution cannot validate the suppliers' tax clearance on SARS as well as the Central Suppliers Database, **the quote will not be considered and passed over as non-compliant according to National Treasury Instruction Note 4 (a) 2016/17.**

**11. TAX INVOICE**

11.1. A tax invoice shall be in the currency of the Republic of South Africa and shall contain the following particulars:

- (i) the name, address and registration number of the supplier;
- (ii) the name and address of the recipient;
- (iii) an individual serialized number and the date upon which the tax invoice is issued;
- (iv) a description and quantity or volume of the goods or services supplied;
- (v) the official department order number issued to the supplier;
- (vi) the value of the supply, the amount of tax charged;
- (vii) the words tax invoice in a prominent place.

**12. PATENT RIGHTS**

The supplier shall indemnify the **KZN Department of Health** (hereafter known as the purchaser) against all third-party claims of infringement of patent, trademark, or industrial design rights arising from use of the goods or any part thereof by the purchaser.

### 13. PENALTIES

- 13.1. If at any time during the contract period, the service provider is unable to perform in a timely manner, the service provider must notify the institution in writing/email of the cause of and the duration of the delay. Upon receipt of the notification, the institution should evaluate the circumstances and, if deemed necessary, the institution may extend the service provider's time for performance.
- 13.2. In the event of delayed performance that extends beyond the delivery period, the institution is entitled to purchase commodities of a similar quantity and quality as a substitution for the outstanding commodities, without terminating the contract, as well as return commodities delivered at a later stage at the service provider's expense.
- 13.3. Alternatively, the institution may elect to terminate the contract and procure the necessary commodities in order to complete the contract. In the event that the contract is terminated the institution may claim damages from the service provider in the form of a penalty. The service provider's performance should be captured on the service provider database in order to determine whether or not the service provider should be awarded any contracts in the future.
- 13.4. If the supplier fails to deliver any or all of the goods or to perform the services within the period(s) specified in the contract, the purchaser shall, without prejudice to its other remedies under the contract, deduct from the contract price, as a penalty, a sum calculated on the delivered price of the delayed goods or unperformed services using the current prime interest rate calculated for each day of the delay until actual delivery or performance.

### 14. TERMINATION FOR DEFAULT

- 14.1. The purchaser, without prejudice to any other remedy for breach of contract, by written notice of default sent to the supplier, may terminate this contract in whole or in part:
  - (i) if the supplier fails to deliver any or all of the goods within the period(s) specified in the contract,
  - (ii) if the supplier fails to perform any other obligation(s) under the contract; or
  - (iii) if the supplier, in the judgment of the purchaser, has engaged in corrupt or fraudulent practices in competing for or in executing the contract.
- 14.2. In the event the purchaser terminates the contract in whole or in part, the purchaser may procure, upon such terms and in such manner as it deems appropriate, goods, works or services similar to those undelivered, and the supplier shall be liable to the purchaser for any excess costs for such similar goods, works or services.
- 14.3. Where the purchaser terminates the contract in whole or in part, the purchaser may decide to impose a restriction penalty on the supplier by prohibiting such supplier from doing business with the public sector for a period not exceeding 10 years.

### 15. FAILURE TO COMPLY WITH ABOVE WILL RESULT IN YOUR QUOTE BEING PASSED OVER.

**PREFERENCE POINTS CLAIM FORM IN TERMS OF THE PREFERENTIAL PROCUREMENT REGULATIONS 2017**

This preference form must form part of all quotes invited. It contains general information and serves as a claim form for preference points for Broad-Based Black Economic Empowerment (B-BBEE) Status Level of Contribution

**NB: BEFORE COMPLETING THIS FORM, BIDDERS MUST STUDY THE GENERAL CONDITIONS, DEFINITIONS AND DIRECTIVES APPLICABLE IN RESPECT OF B-BBEE, AS PRESCRIBED IN THE PREFERENTIAL PROCUREMENT REGULATIONS, 2017.**

**1. GENERAL CONDITIONS**

1.1 The following preference point systems are applicable to all quotes:

- the 80/20 system for requirements with a Rand value of up to R50 000 000 (all applicable taxes included); and

1.2 The value of this quote is estimated to not exceed R50 000 000 (all applicable taxes included) and therefore the 80/20 preference point system shall be applicable.

1.3 Points for this quote shall be awarded for:

- (a) Price; and
- (b) B-BBEE Status Level of Contributor.

1.4 The maximum points for this quote is allocated as follows:

	<b>POINTS</b>
<b>PRICE</b>	80
<b>B-BBEE STATUS LEVEL OF CONTRIBUTOR</b>	20
<b>Total points for Price and B-BBEE must not exceed</b>	<b>100</b>

1.5 Failure on the part of a bidder to submit proof of B-BBEE Status level of contributor together with the quote, will be interpreted to mean that preference points for B-BBEE status level of contribution are not claimed.

1.6 The purchaser reserves the right to require of a bidder, either before a quote is adjudicated or at any time subsequently, to substantiate any claim in regard to preferences, in any manner required by the purchaser.

**2. DEFINITIONS**

- (a) **"B-BBEE"** means broad-based black economic empowerment as defined in section 1 of the Broad-Based Black Economic Empowerment Act;
- (b) **"B-BBEE status level of contributor"** means the B-BBEE status of an entity in terms of a code of good practice on black economic empowerment, issued in terms of section 9(1) of the Broad-Based Black Economic Empowerment Act;
- (c) **"bid"** means a written offer in a prescribed or stipulated form in response to an invitation by an organ of state for the provision of goods or services, through price quotations, advertised competitive bidding processes or proposals;
- (d) **"Broad-Based Black Economic Empowerment Act"** means the Broad-Based Black Economic Empowerment Act, 2003 (Act No. 53 of 2003);
- (e) **"EME"** means an Exempted Micro Enterprise in terms of a code of good practice on black economic empowerment issued in terms of section 9 (1) of the Broad-Based Black Economic Empowerment Act;
- (f) **"functionality"** means the ability of a tenderer to provide goods or services in accordance with specifications as set out in the tender documents.
- (g) **"prices"** includes all applicable taxes less all unconditional discounts;
- (h) **"proof of B-BBEE status level of contributor"** means:
  - 1) B-BBEE Status level certificate issued by an authorized body or person;
  - 2) A sworn affidavit as prescribed by the B-BBEE Codes of Good Practice;
  - 3) Any other requirement prescribed in terms of the B-BBEE Act;
- (i) **"QSE"** means a qualifying small business enterprise in terms of a code of good practice on black economic empowerment issued in terms of section 9 (1) of the Broad-Based Black Economic Empowerment Act;
- (j) **"rand value"** means the total estimated value of a contract in Rand, calculated at the time of bid invitation, and includes all applicable taxes;



**3. POINTS AWARDED FOR PRICE**

**3.1 THE 80/20 PREFERENCE POINT SYSTEMS**

A maximum of 80 points is allocated for price on the following basis:

$$P_s = 80 \left( 1 - \frac{P_t - P_{\min}}{P_{\min}} \right) \text{ Where}$$

- P<sub>s</sub> = Points scored for price of bid under consideration
- P<sub>t</sub> = Price of bid under consideration
- P<sub>min</sub> = Price of lowest acceptable bid

**4. POINTS AWARDED FOR B-BBEE STATUS LEVEL OF CONTRIBUTOR**

4.1 In terms of Regulation 6 (2) and 7 (2) of the Preferential Procurement Regulations, preference points must be awarded to a bidder for attaining the B-BBEE status level of contribution in accordance with the table below:

B-BBEE Status Level of Contributor	Number of points (80/20 system)
1	20
2	18
3	14
4	12
5	8
6	6
7	4
8	2
Non-compliant contributor	0

**5. BID DECLARATION**

5.1 Bidders who claim points in respect of B-BBEE Status Level of Contribution must complete the following:

**6. B-BBEE STATUS LEVEL OF CONTRIBUTOR CLAIMED IN TERMS OF PARAGRAPHS 1.4 AND 4.1**

6.1 B-BBEE Status Level of Contributor: = .....(maximum of 20 points)

(Points claimed in respect of paragraph 7.1 must be in accordance with the table reflected in paragraph 4.1 and must be substantiated by relevant proof of B-BBEE status level of contributor.

**7. SUB-CONTRACTING**

(Tick applicable box)

7.1 Will any portion of the contract be sub-contracted?

YES	<input type="checkbox"/>	NO	<input type="checkbox"/>
-----	--------------------------	----	--------------------------

7.1.1 If yes, indicate:

- i) What percentage of the contract will be subcontracted.....%
- ii) The name of the sub-contractor.....
- iii) The B-BBEE status level of the sub-contractor.....

8. Whether the sub-contractor is an EME or QSE

(Tick applicable box)

iv) Specify, by ticking the appropriate box, if subcontracting with an enterprise in terms of Preferential Procurement Regulations,2017:

YES	<input type="checkbox"/>	NO	<input type="checkbox"/>
-----	--------------------------	----	--------------------------

Designated Group: An EME or QSE which is at last 51% owned by:	EME √	QSE √
Black people		
Black people who are youth		
Black people who are women		
Black people with disabilities		
Black people living in rural or underdeveloped areas or townships		
Cooperative owned by black people		
Black people who are military veterans		
OR		
Any EME		
Any QSE		

9. DECLARATION WITH REGARD TO COMPANY/FIRM

9.1 Name of company/firm:.....

9.2 VAT registration number:.....

9.3 Company registration number:.....

9.4 TYPE OF COMPANY/ FIRM [TICK APPLICABLE BOX]

- Partnership/Joint Venture / Consortium
- One person business/sole propriety
- Close corporation
- Company
- (Pty) Limited

9.5 DESCRIBE PRINCIPAL BUSINESS ACTIVITIES

.....

.....

9.6 COMPANY CLASSIFICATION [TICK APPLICABLE BOX]

- Manufacturer
- Supplier
- Professional service provider
- Other service providers, e.g. transporter, etc.

9.7 Total number of years the company/firm has been in business:.....

9.8 I/we, the undersigned, who is / are duly authorised to do so on behalf of the company/firm, certify that the points claimed, based on the B-BBE status level of contributor indicated in paragraphs 1.4 and 6.1 of the foregoing certificate, qualifies the company/ firm for the preference(s) shown and I / we acknowledge that:

- i) The information furnished is true and correct;
- ii) The preference points claimed are in accordance with the General Conditions as indicated in paragraph 1 of this form;
- iii) In the event of a contract being awarded as a result of points claimed as shown in paragraphs 1.4 and 6.1, the contractor may be required to furnish documentary proof to the satisfaction of the purchaser that the claims are correct;
- iv) If the B-BBEE status level of contributor has been claimed or obtained on a fraudulent basis or any of the conditions of contract have not been fulfilled, the purchaser may, in addition to any other remedy it may have –
  - (a) disqualify the person from the bidding process;
  - (b) recover costs, losses or damages it has incurred or suffered as a result of that person's conduct;
  - (c) cancel the contract and claim any damages which it has suffered as a result of having to make less favourable arrangements due to such cancellation;
  - (d) recommend that the bidder or contractor, its shareholders and directors, or only the shareholders and directors who acted on a fraudulent basis, be restricted by the National Treasury from obtaining business from any organ of state for a period not exceeding 10 years, after the *audi alteram partem* (hear the other side) rule has been applied; and
  - (e) forward the matter for criminal prosecution.

WITNESSES

1. ....

2. ....

.....

SIGNATURE(S) OF BIDDERS(S)

DATE: .....

ADDRESS.....

.....

.....



Enquires:

---- Reference: ZNQ

---- Date: ----- 18 Nov 2021

**MINUTES OF SITE MEETING HELD ON:**

**Date:**

**Venue:** St Andrews District Hospital

**1. Matter Discussed:**

- 1.1. Signing of attendance register and site inspection briefing certificate.
- 1.2. Handing out of quotation documents.
- 1.3. Completion of quotation documents.
  - 1.3.1. SBD 4
  - 1.3.2. SBD 6.1
  - 1.3.3. Form 9
  - 1.3.4. Bill of Quantities
- 1.4. Submission of required information.
  - 1.4.1. Documents as per page 3 of the specification.
- 1.5. Site visit and deliberations on specifications and requirements.
- 1.6. Bidders are compelled to re-visit the site for one-on-one clarification of measurements and requirements. Post Site Inspection Briefing certificate to be signed on day of re-visit.
- 1.7. No part payments will be made and any stage of the project.
- 1.8. No payment will be made for incomplete or poor quality of work.
- 1.9. Material list page to be completed for all quotation documents. Failure to attach signed and completed document will render the quotation as not valid.
- 1.10. Past poor performance of contractors.
  - 1.10.1. Contractors that have performed poorly in the past will not be considered.
  - 1.10.2. Contractors that have not completed previous projects fully will not be considered.
  - 1.10.3. Contractors will be referred to National Treasury as a defaulter to be listed on the Database of Restricted Suppliers.**

I, ..... from ..... do hereby  
 (Print Name) (Name of Business)  
 acknowledge that I have read and understand the items discussed as laid out above and will ensure that the quotation price submitted will address all the requirements as stipulated.

..... / ..... / .....  
 Signature Date

**2. General matters during site visit:**

2.1. \_\_\_\_\_  
\_\_\_\_\_  
\_\_\_\_\_

2.2. \_\_\_\_\_  
\_\_\_\_\_  
\_\_\_\_\_

2.3. \_\_\_\_\_  
\_\_\_\_\_  
\_\_\_\_\_

2.4. \_\_\_\_\_  
\_\_\_\_\_  
\_\_\_\_\_

2.5. \_\_\_\_\_  
\_\_\_\_\_  
\_\_\_\_\_

2.6. \_\_\_\_\_  
\_\_\_\_\_  
\_\_\_\_\_

2.7. \_\_\_\_\_  
\_\_\_\_\_  
\_\_\_\_\_

2.8. \_\_\_\_\_  
\_\_\_\_\_  
\_\_\_\_\_

2.9. \_\_\_\_\_  
\_\_\_\_\_  
\_\_\_\_\_

2.10. \_\_\_\_\_  
\_\_\_\_\_  
\_\_\_\_\_





**health**

Department:  
Health  
**PROVINCE OF KWAZULU-NATAL**

**CERTIFICATE OF BIDDERS ATTENDANCE AT COMPULSORY  
SITE INSPECTION BRIEFING MEETING**

**St Andrews District Hospital**

QUOTATION NO.	DESCRIPTION	SITE INSPECTION DATE
ZNQ	COVID WARD NEW SLUICE	

This is to certify that I \_\_\_\_\_

A representative of (Bidder) \_\_\_\_\_

of Address: \_\_\_\_\_

\_\_\_\_\_

\_\_\_\_\_

Telephone No: \_\_\_\_\_

Telefax No.: \_\_\_\_\_

Attended the Pre-Bid Site Briefing Meeting on (date) \_\_\_\_\_

And at the following venue (mark in appropriate block):

**St Andrews District  
Hospital**

**BIDDERS REPRESENTATIVE** \_\_\_\_\_

**DEPARTMENT REPRESENTATIVE** \_\_\_\_\_

**DEPARTMENTAL STAMP:**

ENQUIRIES:

REF:

CLOSING DATE:

CONTRACTOR: \_\_\_\_\_

1. On behalf of the KwaZulu-Natal Department of Health, we hereby invite you to quote for the above service
2. Your quotation must be submitted to the following address:

HAND DELIVERED	
	<b>To be Placed in the Quotation Box Situating at Main Entrance</b>

In a sealed envelope, the front of the envelope being clearly endorsed with the Quotation Number **ZNQ** and the service type as stated above, not later than \_\_\_\_\_ on

3. The quotation shall be fully detailed as follows:
  - 3.1 Itemised list of additional Material/Spare parts required by the Contractor, showing costs and contracts mark-up.
  - 3.2 Labour hours, rate and total travelling costs.
  - 3.3 Kilometres, Rate and Total Travelling Cost (specify number of trips).
  - 3.4 Subsistence: Number of Days, Rate and Total Subsistence Costs.
4. Kindly complete the attached document and return all pages as per paragraph two above, each page being initialled by the Contractor's authorized signatory.
5. The Contractor's attention is drawn to the following, which under no circumstances will be acceptable and will result in the automatic disqualification of the quotation.
  - 5.1 Use of correcting fluid i.e. Tippex on the quotation documents.
  - 5.2 Faxed quotations
  - 5.3 Photocopies of quotations
  - 5.4 Incomplete quotation document including Bill of Quantities.
6. Only the original document, duly signed and completed in its entirety will be given any consideration.
7. **Bidder to sign and date every page in acknowledgment that he/she has read and understood all the requirements contained in this document. Failure to do so will render your offer as non-responsive.**

**DOCUMENTATION TO BE SUBMITTED**

No.	Document Details	Doc. Type	Submitted	
			Yes	No
1.	Tax Clearance Certificate	Original		
2.	CIDB Registration <b>SO, EB,</b>	Certified Copy of Original		
3.	Company Registration Documents (CK)	Certified Copy of Original		
4.	B-BBEE Status Verification Certificate	Certified Copy of Original		
5.	Fully Completed and Signed Quotation Document	Original		
6.	SBD 4 Document Declaration of Interest (Fully completed and signed)	Original		
7.	Bill of Quantities (fully priced for each item as listed)	Original		
8.	CSD	Certified Copy of Original		
9.	Registration with Department of Labour Letter of Good Standing.	Certified Copy of Original		

**PLEASE NOTE: FAILURE TO SUBMIT ANY OF THE DOCUMENTS AS REQUIRED IN THE TABLE ABOVE WILL RESULT IN THE OFFER BEING REGARDED AS NON-RESPONSIVE.**

**A COVERING LETTER REFERRING TO THE DOCUMENT WHERE A SET OF THESE DOCUMENTS HAVE BEEN ATTACHED MUST BE ATTACHED TO EVERY OTHER QUOTATION DOCUMENT.**



1. **NOTES TO BIDDERS**

1.1 **GENERAL CONDITIONS AND PROCEDURES FOR PROCUREMENT**

The KwaZulu-Natal Treasury's General Conditions and Procedures for Procurement (ZNT 6 – September 2002), copies of which are available from the offices of the Head: Works (as well as at <http://www.kzntreasury.gov.za>), will apply.

1.2 **VISIT TO SITE**

Bidders are advised to visit the site before quoting in order to satisfy themselves as to the nature and full extent of the work to be done and the conditions generally affecting the execution of the contract. Claims on the grounds of lack of knowledge in such respects or otherwise will not be entertained.

1.3 **SUPERVISION**

The work shall at all times, for the duration of the contract, be carried out under the supervision of a skilled and competent representative of the contractor, who will be able and authorized to receive and carry out instructions on behalf of the contractor. A sufficient number of workers shall be employed at all times to ensure satisfactory progress of the work.

1.4 **PROTECTING AND MAKING GOOD**

The contractor shall allow for covering up and protecting, as necessary, from time to time, throughout the performance of the contract, all work liable to suffer damage and on completion clear away and make good any damage caused to the works by his negligence and shall be liable for all costs incurred in making good any such damage, to the satisfaction of the Head: Works.

The contractor shall allow for making good in all surrounding trades, which have been disturbed during alterations, repairs and renovations.

1.5 **RECLAIMABLE MATERIAL**

Reclaimable material will become the property of the contractor and who must allow for any credit in the quotation.

1.6 **COMPLIANCE**

All work must comply with the Local Authority regulations and National Building Regulations, as well as SABS specifications applicable to the work to be executed.

1.7 **LEAVE PERFECT**

The contractor shall at all times keep the site in a clean and tidy condition and on completion, remove all superfluous materials, debris, etc. and leave the premises in a thoroughly clean and perfect state, fit for occupation.

1.8 **ARRANGEMENT WITH OCCUPANTS**

The contractor shall arrange with the occupants of the buildings for access to the site/building to render the service and put the work in hand within twenty four (24) hours after being notified, telephonically or otherwise, of acceptance of the contractor's quotation.

1.9 **PRECAUTIONS TO PROTECT**

The contractor shall take all necessary precautions and steps to protect furniture and fittings in the building and on the site against damage and/or contamination.

1.10 **INDEMNITIES**

- (a) The contractor shall indemnify the Head: Works against any claims of whatever nature arising from the contractor's activities and accept responsibility for all damage caused to property and persons as a result of such activities.
- (b) The contractor shall indemnify his workers in terms of the Compensation for Occupational Injuries and Diseases Act.



**1.11 OCCUPATIONAL HEALTH AND SAFETY ACT NO. 85 OF 1993**

By the submission of a quotation, any Tenderer will, if awarded the contract to which this quotation document relates, be deemed to be a mandatory as envisaged by Section 37(2) of the Act. As a mandatory the successful Tenderer will be deemed to be an employer in his/her/their own right with duties as prescribed in the Act and accordingly will be deemed to have agreed to be solely responsible for ensuring that in connection with the project to which this quotation document relates, all work will be performed and machinery and plant used in accordance with the Act. Should the successful Tenderer, for whatever reason be unable to perform as required by the Act, the successful Tenderer undertakes to inform the Employer accordingly.

**1.12 ESCALATION**

Bidders are advised that the contract with the successful tenderer will not be subject to the Contract Price Adjustment Provisions (CPAP) or any other escalation formula, and they are therefore to allow for any increases in the costs of labor, material, transport, etc. However, any statutory increase or decrease in Value-Added Tax will be for the account of the Province.

**1.13 GUARANTEE**

The successful tenderer shall guarantee that no faulty material or workmanship was used in the execution of services. Should the guarantee not be complied with, the State may, without prejudice to any other rights it may have, demand that the services be repaired without cost to the State.

**1.14 PENALTIES**

If the contractor fails to render the service within the period stipulated in the contract, the State shall have the right, in its sole discretion either to deduct as a penalty from the value of the contract sum an amount of one-fourteenth percent thereof per calendar day for the period of delay or to claim any damages or loss suffered in lieu of such penalty: provided that where beneficial use of the completed portion is enjoyed, penalty shall be applied to the value of the outstanding portion only.

**1.15 ALTERATIONS TO QUOTATION DOCUMENTS**

Any amendment or correction in the quotation document of a quoted amount/sum/rate or other entry must be effected only by deleting the incorrect entry and writing the correct amount/sum/rate entry just above it in **INK**. Each and every amendment/correction must be initialed by the signatory to the quotation.

The use of "TIPPEX" or any other similar substances to make corrections and/or alterations **ANYWHERE** in the quotation is **NOT** permitted and any quotation altered/amended in such a manner may be declared invalid or be disregarded.

**1.16 REGISTRATION ON THE PROVINCIAL SUPPLIERS DATABASE**

1. In terms of the KwaZulu-Natal Procurement Regulations promulgated in terms of Section 47 of the KwaZulu-Natal Procurement Act, all suppliers of goods and services to the Province of KwaZulu-Natal are required to register on the Provincial Suppliers Database.
2. If you wish to apply for registration, forms may be downloaded from the website, <http://www.kzntreasury.gov.za> or obtained by phoning the toll free number **0800 201 049**. This number is also available for general enquiries relating to Provincial procurement.
3. If a business is registered on the Database and it is found subsequently that false or incorrect information has been supplied, then the Province may, without prejudice to any other legal rights or remedies it may have:
  - 3.1 de-register the supplier from the Database,
  - 3.2 cancel a tender or a contract awarded to such supplier,and the supplier would become liable for any damages if a less favorable quotation is accepted or less favorable arrangements are made.
4. The same principles as set out in paragraph 3 above are applicable should the supplier fail to request updating of its information on the Provincial Suppliers Database, relating to changed circumstances.

- 1.2.14. When existing paint film is in good condition any flaking or bared patches are to be properly feathered into the surrounding paint and spot primed as necessary.
- 1.2.15. When existing paint films are in poor condition and require to be removed completely, they are to be removed by means of wire brushing, paint remover, burning off, or other approved method. Paint removers shall be free of wax and caustic substances and shall preferably be of water soluble type. When burning off paint from wood, care must be taken to avoid charring the wood.
- 1.2.16. The final state of preparatory work to existing decorated surfaces shall in all cases produce in the finished decorated surfaces a condition similar to new work.
- 1.2.17. The Contractor will be held responsible for the proper and adequate preparation of the surfaces and any work which fails to meet the manufacturers recommendations must be made good at the Contractors expense to the satisfaction of the Department.



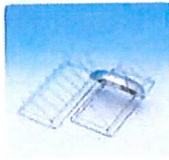
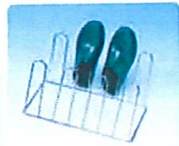
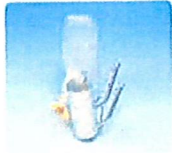




DEKO 190 LC Model

#### DEKO190 ACCESSORIES

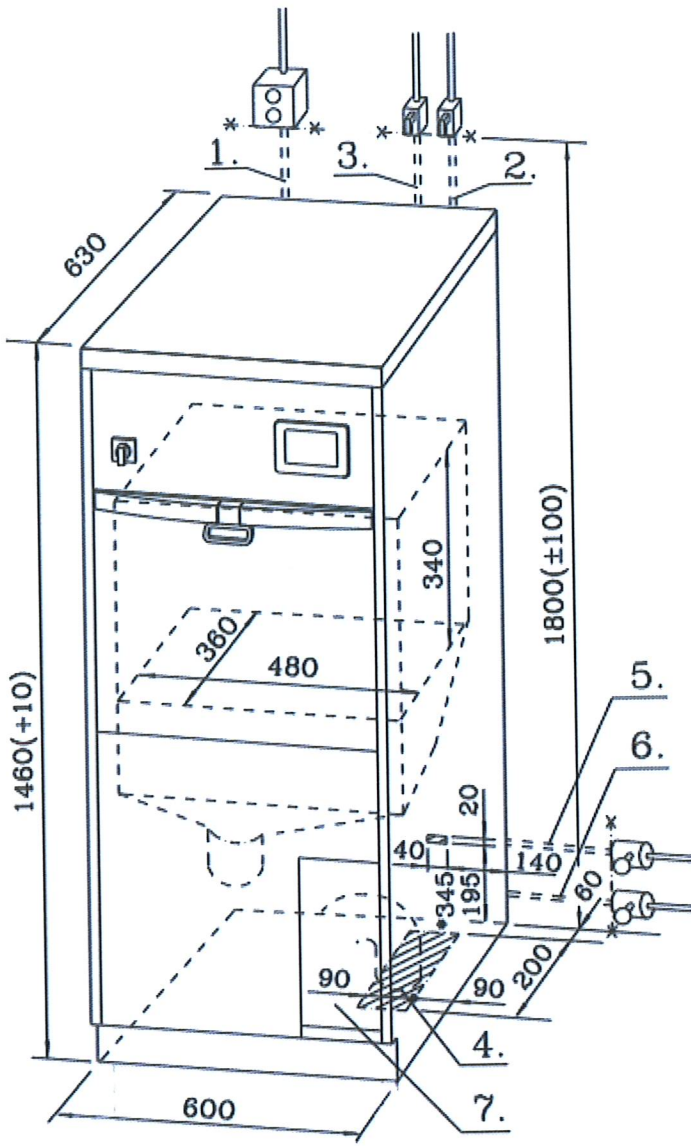
The DEKO 190 bedpan washer disinfector has a fold down shelf that allows the washing of various other products like slop buckets, suction bottle, measuring jugs and even kidney dishes. There are various add on accessories and racks for the DEKO 190. Inserts are available to increase the washing capacity of urine bottles allowing the washing of 4 additional urine bottles. Also available are racks for shoes and kidney bowls.



Insert for 4 urine bottles

Shoe rack, 4 pairs

Kidney bowl rack

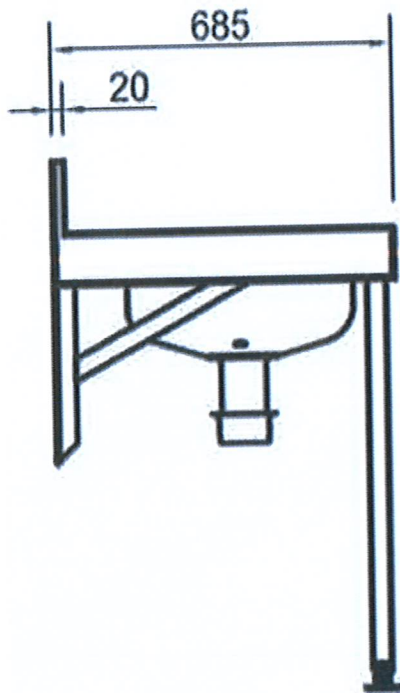


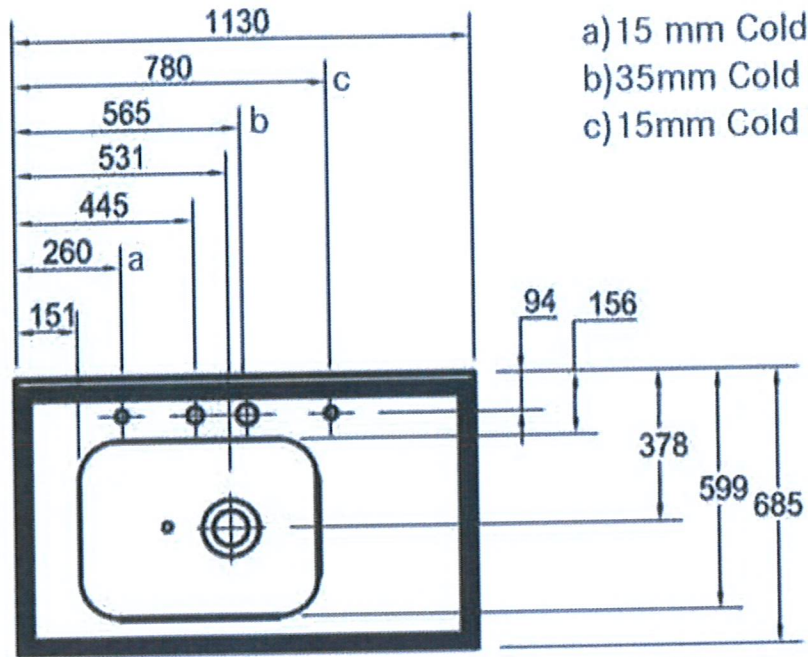


# EL BEDPAN SLUICE SINK



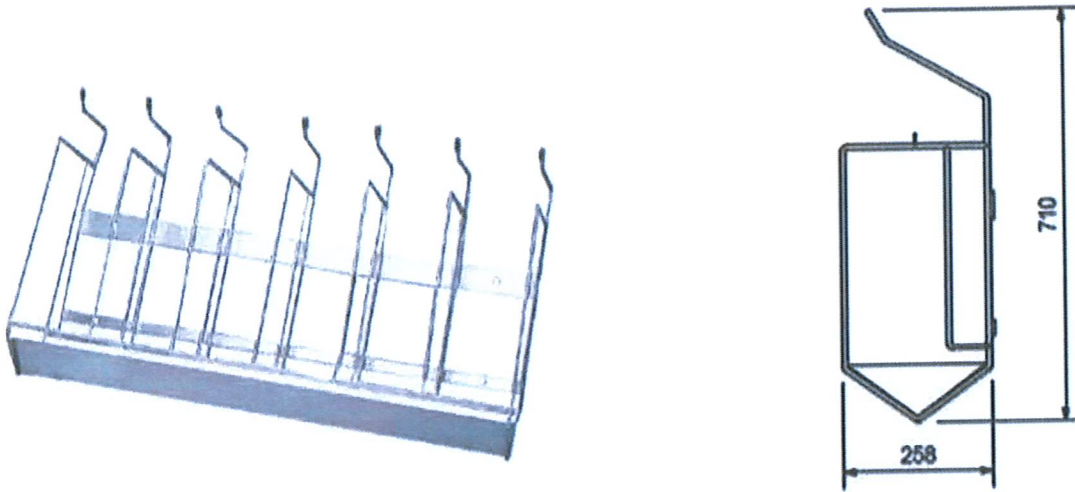
RIGHT HAND BOWL  
FITTINGS & FIXTURES OPTIONAL



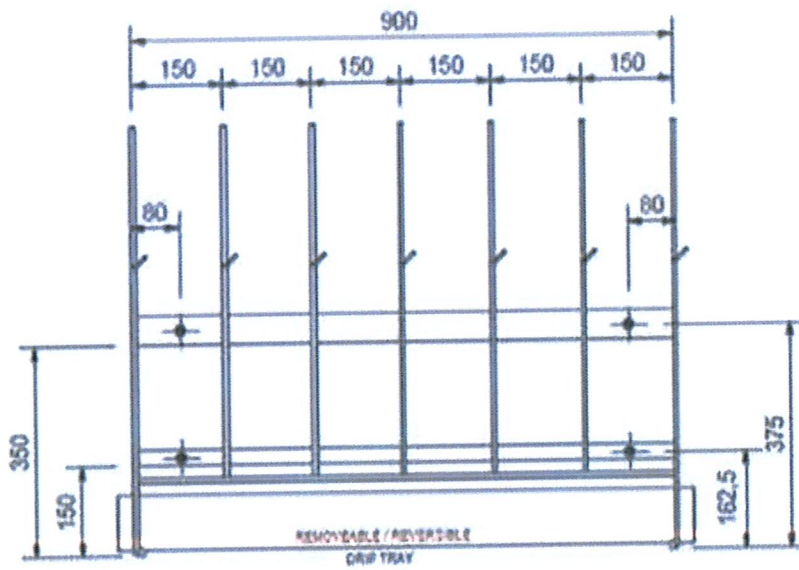


# BR BEDPAN & BOTTLE RACK

Hygienic and durable in various dimensions



BR 6



BR 6

# CONTRACTORS STAFF AND SUPPLIERS INFORMATION

## FORM

### Supplier information

<u>Company name</u>	<u>Contact person</u>	<u>Telephone No.</u>	<u>Supplier of</u>

### Sup contractor information

<u>Company name</u>	<u>Contact person</u>	<u>Telephone No.</u>	<u>Sub contract for</u>	<u>Name of responsible person on site</u>

### Contractor staff information as per registration with Department of Labour

<u>Name</u>	<u>ID Number</u>	<u>Salary number</u>	<u>Rank</u>	<u>Qualification</u>



O 008	DIST HOSP MAINTENANCE (POST)					
S 005	EX INFRA:MAINT&REP:BUILDINGS					
A 007	HOSPITAL LEVEL 1 (DISTRICT HOSP)					
P 004	MAINTENANCE A (CUR)					
I 003	GOODS AND SERVICES					
I 005	P/P:CONTRCTD MAINT PROP	736,604.84	30,000.00	1,600,000.00	833,395.16	
TOTAL	I 003	GOODS AND SERVICES-----	736,604.84	30,000.00	1,600,000.00	833,395.16
TOTAL	P 004	MAINTENANCE A (CUR)-----	736,604.84	30,000.00	1,600,000.00	833,395.16