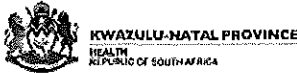


SharePoint

Ngcongco Sizwe ▾ ?



KZN Health Intranet

KZN HEALTH

HOME CORPORATE INFORMATION COMPONENTS DIRECTORY DISTRICT OFFICES HEALTH FACILITIES

KZN Health > Components > Supply Chain Management

AdvertQuote



Quotation-Advert

Opening Date:

Closing Date: *2021-01-28*

Closing Time: 11:00

INSTITUTION DETAILS

Institution Name:

Province:

Department or Entity:

Division or section:

Place where goods / services is required:

Date Submitted:

ITEM CATEGORY AND DETAILS

Quotation Number:

Item Category:

Item Description:
Kindly refer to QUOTATION PRICE PAGE attached for full description and quantities (SPECS ARE ALSO ATTACHED)

Quantity (if supplies):

COMPULSORY BRIEFING SESSION / SITE VISIT

Select Type:

Date:

Time:

Venue:

QUOTES CAN BE COLLECTED FROM:

QUOTES SHOULD BE DELIVERED TO:

ENQUIRIES REGARDING THE ADVERT MAY BE DIRECTED TO:

Name:

Email:

Contact Number:

Finance Manager Name:

Finance Manager Signature: *[Signature]*

No late quotes will be considered

STANDARD QUOTE DOCUMENTATION SUPPLY CHAIN MANAGEMENT OVER R30 000.00

YOU ARE HEREBY INVITED TO QUOTE FOR REQUIREMENTS AT: **EDENDALE HOSPITAL**
DATE ADVERTISED: **20/01/2021** CLOSING DATE: **28/01/2021** CLOSING TIME: **11:00**
FACSIMILE NUMBER: **033-3954028** E-MAIL ADDRESS: **michelle.sookoo@kznhealth.gov.za**
PHYSICAL ADDRESS: **Lot 89 Selby Msimand Road, Plessislaer Pietermaritzburg 3201**

ZNQ NUMBER: **270/20-21**

DESCRIPTION: **Surgical & Medical Equipment**

CONTRACT PERIOD: **ADHOC** VALIDITY PERIOD 60 Days SARS PIN:
(if applicable)

CENTRAL SUPPLIER DATABASE REGISTRATION (CSD) NO.

UNIQUE REGISTRATION REFERENCE

DEPOSITED IN THE QUOTE BOX SITUATED AT (STREET ADDRESS)

Edendale hospital, Blue tender box on the Main gate behind security house

Bidders should ensure that quotes are delivered timeously to the correct address. If the quote is late, it will not be accepted for consideration.

The quote box is open from 08:00 to 15:30.

ALL QUOTES MUST BE SUBMITTED ON THE OFFICIAL FORMS – (NOT TO BE RE-TYPED)

THIS QUOTE IS SUBJECT TO THE PREFERENTIAL PROCUREMENT POLICY FRAMEWORK ACT AND THE PREFERENTIAL PROCUREMENT REGULATIONS, 2011, THE GENERAL CONDITIONS OF CONTRACT (GCC) AND, IF APPLICABLE, ANY OTHER SPECIAL CONDITIONS OF CONTRACT.

THE FOLLOWING PARTICULARS MUST BE FURNISHED
(FAILURE TO DO SO WILL RESULT IN YOUR QUOTE BEING DISQUALIFIED)

NAME OF BIDDER

POSTAL ADDRESS

STREET ADDRESS

TELEPHONE NUMBER CODE.....NUMBER..... FACSIMILE NUMBER CODENUMBER.....

CELLPHONE NUMBER

E-MAIL ADDRESS

VAT REGISTRATION NUMBER (If VAT vendor)

HAS A B-BBEE STATUS LEVEL VERIFICATION CERTIFICATE BEEN SUBMITTED? (SBD 6.1) YES NO

[A B-BBEE STATUS LEVEL VERIFICATION CERTIFICATE/SWORN AFFIDAVIT (FOR EMEs & QSEs) MUST BE SUBMITTED IN ORDER TO QUALIFY FOR PREFERENCE POINTS FOR B-BBEE]

OFFICIAL PRICE PAGE FOR QUOTATIONS

ZNQ NUMBER: 270/20-21

DESCRIPTION: Surgical & Medical Equipment

SIGNATURE OF BIDDER DATE.....
 [By signing this document I hereby agree to all terms and conditions]

CAPACITY UNDER WHICH THIS QUOTE IS SIGNED.....

Item No	Quantity	Description	Brand & model	Country of manufacture	Price	
					R	c
1.	01 unit	Meshes with handle for skin graft (meshgraft, manually operated)				
2.	01 unit	Medication Fridge Thermometer				
3.	3000 units	Surgical shaving double edged single use razor (medical)				
4.	03 units	Haemoglobinometers - Electronic portable (spec H.T.S NO.E43)				
5.	10 units	Sphygmomanometer - aneroid (free standing desk type)				
6.	02 units	UMDNS: 16488 Blood glucose monitor/ meter - Portable				
7.	03 units	Pin index regulators/ Gauges for ventilated patients				
8.	10 boxes	ECG bulb attached to the silver cup (adult) (box/6)				
9.	01 unit	Riester ri-Scope (Diagnostic set)				
10.	01 unit	Flexible video bronchoscope - Paediatric				
		SPECIFICATION ATTACHED				
VALUE ADDED TAX @ 15% (Only if VAT Vendor)						
TOTAL QUOTATION PRICE (VALIDITY PERIOD 60 Days)						

Does This Offer Comply With The Specification?	Does The Article Conform To The S.A.N.S. / S.A.B.S. Specification?
Is The Price Firm?	State Delivery Period E.G. E.G. 1day, 1week

<p>Enquiries regarding the <u>quote</u> may be directed to:</p> <p>Contact Person: Tel:</p> <p>E-Mail Address:</p>	<p>Enquiries regarding <u>technical information</u> may be directed to:</p> <p>Contact Person: Tel:</p>
--	---

DECLARATION OF INTEREST

1. Any legal person, including persons employed by the state¹, or persons having a kinship with persons employed by the state, including a blood relationship, may make an offer or offers in terms of this invitation to quote (includes a price quotation, advertised competitive quote, limited quote or proposal). In view of possible allegations of favouritism, should the resulting quote, or part thereof, be awarded to persons employed by the state, or to persons connected with or related to them, it is required that the bidder or his/her authorised representative declare his/her position in relation to the evaluating/adjudicating authority where-
 - the bidder is employed by the state; and/or
 - the legal person on whose behalf the bidding document is signed, has a relationship with persons/a person who are/is involved in the evaluation and or adjudication of the quote(s), or where it is known that such a relationship exists between the person or persons for or on whose behalf the declarant acts and persons who are involved with the evaluation and or adjudication of the quote.

2. In order to give effect to the above, the following questionnaire must be completed and submitted with the quote.

- | | |
|--|---|
| 2.1. Full Name of bidder/representative..... | 2.4. Company Registration Number: |
| 2.2. Identity Number: | 2.5. Tax Reference Number: |
| 2.3. Position occupied in the Company (director, trustee, shareholder ²):..... | 2.6. VAT Registration Number: |

2.7. The names of all directors / trustees / shareholders / members, their individual identity numbers, tax reference numbers and, if applicable, employee / persal numbers must be indicated in paragraph 3 below. [TICK APPLICABLE]

2.8. Are you or any person connected with the bidder presently employed by the state? YES NO

2.8.1. If so, furnish the following particulars:
 Name of person / director / trustee / shareholder/ member:
 Name of state institution at which you or the person connected to the bidder is employed:.....
 Position occupied in the state institution: Any other particulars:.....

2.8.2. If you are presently employed by the state, did you obtain the appropriate authority to undertake remunerative work outside employment in the public sector? YES NO

2.8.2.1. If yes, did you attach proof of such authority to the quote document?

(Note: Failure to submit proof of such authority, where applicable, may result in the disqualification of the quote.)

2.8.2.2. If no, furnish reasons for non-submission of such proof:

2.9. Did you or your spouse, or any of the company's directors / trustees / shareholders / members or their spouses conduct business with the state in the previous twelve months? YES NO

2.9.1. If so, furnish particulars:.....

2.10. Do you, or any person connected with the bidder, have any relationship (family, friend, other) with a person employed by the state and who may be involved with the evaluation and or adjudication of this quote? YES NO

2.10.1. If so, furnish particulars:.....

2.11. Are you, or any person connected with the bidder, aware of any relationship (family, friend, other) between any other bidder and any person employed by the state who may be involved with the evaluation and or adjudication of this quote? YES NO

2.11.1. If so, furnish particulars:.....

2.12. Do you or any of the directors / trustees / shareholders / members of the company have any interest in any other related companies whether or not they are bidding for this contract? YES NO

2.12.1. If so, furnish particulars:.....

3. Full details of directors / trustees / members / shareholders.

NB: The Department Of Health will validate details of directors / trustees / members / shareholders on CSD. It is the suppliers' responsibility to ensure that their details are up-to-date and verified on CSD. If the Department cannot validate the information on CSD, the quote will not be considered and passed over as non-compliant according to National Treasury Instruction Note 4 (a) 2016/17.

4 DECLARATION

I, THE UNDERSIGNED (NAME).....CERTIFY THAT THE INFORMATION FURNISHED IN PARAGRAPHS 2.

I ACCEPT THAT THE STATE MAY REJECT THE QUOTE OR ACT AGAINST ME SHOULD THIS DECLARATION PROVE TO BE FALSE.

.....
Name of bidder	Signature	Position	Date

¹"State" means --
 a) any national or provincial department, national or provincial public entity or constitutional institution within the meaning of the Public Finance Management Act, 1999 (Act No. 1 of 1999);
 b) any municipality or municipal entity;
 c) provincial legislature;
 d) national Assembly or the national Council of provinces; or
 e) Parliament.

²"Shareholder" means a person who owns shares in the company and is actively involved in the management of the enterprise or business and exercises control over the enterprise.

SPECIAL CONTRACT CONDITIONS OF QUOTATIONS

1. AMENDMENT OF CONTRACT

- 1.1. Any amendment to or renunciation of the provisions of the contract shall at all times be done in writing and shall be signed by both parties.

2. CHANGE OF ADDRESS

- 2.1. Bidders must advise the Department of Health (institution where the offer was submitted) should their address (*domicilium citandi et executandi*) details change from the time of bidding to the expiry of the contract.

3. GENERAL CONDITIONS ATTACHED TO THIS QUOTATION

- 3.1. The institution is under no obligation to accept the lowest or any quote.
- 3.2. The price quoted must include VAT (if VAT vendor). However, it must be noted that the department reserves the right to evaluate all quotations excluding VAT as some bidders may not be VAT vendors.
- 3.3. The bidder must ensure the correctness & validity of quote:
(i) *that the price(s), rate(s) & preference quoted cover all for the work/item (s) & accept that any mistakes regarding the price (s) & calculations will be at the bidder's risk*
- 3.4. The bidder must accept full responsibility for the proper execution & fulfilment of all obligations conditions devolving on under this agreement, as the Principal (s) liable for the due fulfilment of this contract.
- 3.5. This quotation will be evaluated based on the 80/20 points system, specification & correctness of information. All required documentation must be completed in full and submitted.
- 3.6. Offers must comply strictly with the specification.
- 3.7. Only offers that meet or are greater than the specification will be considered.
- 3.8. Late quotes will not be considered.
- 3.9. Expired product/s will not be accepted. All products supplied must be valid for a minimum period of six months.
- 3.10. A bidder not registered on the Central Suppliers Database or verification has failed will not be considered.
- 3.11. All delivery costs must be included in the quote price, for delivery at the prescribed destination.
- 3.12. Only firm prices will be accepted. Such prices must remain firm for the contract period. Non-firm prices (including rates of exchange variations) will not be considered.
- 3.13. In cases where different delivery points influence the pricing, a separate pricing schedule must be submitted for each delivery point.
- 3.14. In the event of a bidder having multiple quotes, only the cheapest according to specification will be considered. Furthermore a verification will be done to identify if bidders have multiple companies and are quoting (cover-quoting) for this bid. In such instances only the cheapest bid according to specification will be considered.

4. SPECIAL INSTRUCTIONS AND NOTICES TO BIDDERS REGARDING THE COMPLETION OF THIS QUOTATION.

- 4.1. Unless inconsistent with or expressly indicated otherwise by the context, the singular shall include the plural and vice versa and with words importing the masculine gender shall include the feminine and the neuter.
- 4.2. Under no circumstances whatsoever may the quotation/bid forms be retyped or redrafted. Photocopies of the original bid documentation may be used, but an original signature must appear on such photocopies.
- 4.3. The bidder is advised to check the number of pages and to satisfy himself that none are missing or duplicated.
- 4.4. Quotation submitted must be complete in all respects.
- 4.5. Any alteration made by the bidder must be initialled.
- 4.6. Use of correcting fluid is prohibited
- 4.7. Quotation will be opened in public as soon as practicable after the closing time of quotation.
- 4.8. Where practical, prices are made public at the time of opening quotations.
- 4.9. If it is desired to make more than one offer against any individual item, such offers should be given on a photocopy of the page in question. Clear indication thereof must be stated on the schedules attached.

5. SPECIAL INSTRUCTIONS REGARDING HAND DELIVERED QUOTATIONS

- 5.1. Quotation shall be lodged at the address indicated not later than the closing time specified for their receipt, and in accordance with the directives in the quotation documents.
- 5.2. Each quotation shall be addressed in accordance with the directives in the quotation documents and shall be lodged in a separate sealed envelope, with the name and address of the bidder, the quotation number and closing date indicated on the envelope. The envelope shall not contain documents relating to any quotation other than that shown on the envelope. If this provision is not complied with, such quotations/bids may be rejected as being invalid.
- 5.3. All quotations received in sealed envelopes with the relevant quotation numbers on the envelopes are kept unopened in safe custody until the closing time of the quotation/bids. Where, however, a quotation is received open, it shall be sealed. If it is received without a quotation/bid number on the envelope, it shall be opened, the quotation number ascertained, the envelope sealed and the quotation number written on the envelope.
- 5.4. A specific box is provided for the receipt of quotations, and no quotation found in any other box or elsewhere subsequent to the closing date and time of quotation will be considered.

- 5.5. No quotation/bid sent through the post will be considered if it is received after the closing date and time stipulated in the quotation documentation, and proof of posting will not be accepted as proof of delivery.
- 5.6. Quotation documents must not be included in packages containing samples. Such quotations may be rejected as being invalid.

6. SAMPLES

- 6.1. In the case of the quote document stipulating that samples are required, the supplier will be informed in due course when samples should be provided to the institution. (This decreases the time of safety and storage risk that may be incurred by the respective institution). The bidders sample will be retained if such bidder wins the contract.
 - (i) If a company/s who has not won the quote requires their samples, they must advise the institution in writing of such.
 - (ii) If samples are not collected within three months of close of quote the institution reserves the right to dispose of them at their discretion.
- 6.2. **Samples must be made available when requested in writing or if stipulated on the document.**
 - (i) If a Bidder fails to provide a sample of their product on offer for scrutiny against the set specification when requested, their offer will be rejected. All testing will be for the account of the bidder.

7. COMPULSORY SITE INSPECTION / BRIEFING SESSION

- 7.1. Bidders who fail to attend the compulsory meeting will be disqualified from the evaluation process.
 - (i) The institution has determined that a compulsory site meeting take place
 - (ii) Date / / Time Place

Institution Stamp:	Institution Site Inspection / briefing session Official Full Name: Signature: Date:
--------------------	--

8. STATEMENT OF SUPPLIES AND SERVICES

- 8.1. The contractor shall, when requested to do so, furnish particulars of supplies delivered or services executed. If he/she fails to do so, the Department may, without prejudice to any other rights which it may have, institute inquiries at the expense of the contractor to obtain the required particulars.

9. SUBMISSION AND COMPLETION OF SBD 6.1

- 9.1. Should a bidder wish to qualify for preference points they must complete a SBD 6.1 document. Failure by a bidder to provide all relevant information required, will result in such a bidder not being considered for preference point's allocation. The preferences applicable on the closing date will be utilized. Any changes after the closing date will not be considered for that particular quote.

10. TAX COMPLIANCE REQUIREMENTS

- 10.1. In the event that the tax compliance status has failed on CSD, **it is the suppliers' responsibility to provide a SARS pin in order for the institution to validate the tax compliance status of the supplier.**
- 10.2. In the event that the institution cannot validate the suppliers' tax clearance on SARS as well as the Central Suppliers Database, **the quote will not be considered and passed over as non-compliant according to National Treasury Instruction Note 4 (a) 2016/17.**

11. TAX INVOICE

- 11.1. A tax invoice shall be in the currency of the Republic of South Africa and shall contain the following particulars:
 - (i) the name, address and registration number of the supplier;
 - (iv) a description and quantity or volume of the goods or services supplied;
 - (ii) the name and address of the recipient;
 - (v) the official department order number issued to the supplier;
 - (iii) an individual serialized number and the date upon which the tax invoice is issued;
 - (vi) the value of the supply, the amount of tax charged;
 - (vii) the words tax invoice in a prominent place.

12. PATENT RIGHTS

The supplier shall indemnify the **KZN Department of Health** (hereafter known as the purchaser) against all third-party claims of infringement of patent, trademark, or industrial design rights arising from use of the goods or any part thereof by the purchaser.

13. PENALTIES

- 13.1. If at any time during the contract period, the service provider is unable to perform in a timely manner, the service provider must notify the institution in writing/email of the cause of and the duration of the delay. Upon receipt of the notification, the institution should evaluate the circumstances and, if deemed necessary, the institution may extend the service provider's time for performance.
- 13.2. In the event of delayed performance that extends beyond the delivery period, the institution is entitled to purchase commodities of a similar quantity and quality as a substitution for the outstanding commodities, without terminating the contract, as well as return commodities delivered at a later stage at the service provider's expense.
- 13.3. Alternatively, the institution may elect to terminate the contract and procure the necessary commodities in order to complete the contract. In the event that the contract is terminated the institution may claim damages from the service provider in the form of a penalty. The service provider's performance should be captured on the service provider database in order to determine whether or not the service provider should be awarded any contracts in the future.
- 13.4. If the supplier fails to deliver any or all of the goods or to perform the services within the period(s) specified in the contract, the purchaser shall, without prejudice to its other remedies under the contract, deduct from the contract price, as a penalty, a sum calculated on the delivered price of the delayed goods or unperformed services using the current prime interest rate calculated for each day of the delay until actual delivery or performance.

14. TERMINATION FOR DEFAULT

- 14.1. The purchaser, without prejudice to any other remedy for breach of contract, by written notice of default sent to the supplier, may terminate this contract in whole or in part:
 - (i) if the supplier fails to deliver any or all of the goods within the period(s) specified in the contract,
 - (ii) if the supplier fails to perform any other obligation(s) under the contract; or
 - (iii) if the supplier, in the judgment of the purchaser, has engaged in corrupt or fraudulent practices in competing for or in executing the contract.
- 14.2. In the event the purchaser terminates the contract in whole or in part, the purchaser may procure, upon such terms and in such manner as it deems appropriate, goods, works or services similar to those undelivered, and the supplier shall be liable to the purchaser for any excess costs for such similar goods, works or services.
- 14.3. Where the purchaser terminates the contract in whole or in part, the purchaser may decide to impose a restriction penalty on the supplier by prohibiting such supplier from doing business with the public sector for a period not exceeding 10 years.

15. FAILURE TO COMPLY WITH ABOVE WILL RESULT IN YOUR QUOTE BEING PASSED OVER.

PREFERENCE POINTS CLAIM FORM IN TERMS OF THE PREFERENTIAL PROCUREMENT REGULATIONS 2017

This preference form must form part of all quotes invited. It contains general information and serves as a claim form for preference points for Broad-Based Black Economic Empowerment (B-BBEE) Status Level of Contribution

NB: BEFORE COMPLETING THIS FORM, BIDDERS MUST STUDY THE GENERAL CONDITIONS, DEFINITIONS AND DIRECTIVES APPLICABLE IN RESPECT OF B-BBEE, AS PRESCRIBED IN THE PREFERENTIAL PROCUREMENT REGULATIONS, 2017.

1. GENERAL CONDITIONS

1.1 The following preference point systems are applicable to all quotes:

- the 80/20 system for requirements with a Rand value of up to R50 000 000 (all applicable taxes included); and

1.2 The value of this quote is estimated to not exceed R50 000 000 (all applicable taxes included) and therefore the 80/20 preference point system shall be applicable.

1.3 Points for this quote shall be awarded for:

- (a) Price; and
- (b) B-BBEE Status Level of Contributor.

1.4 The maximum points for this quote is allocated as follows:

	POINTS
PRICE	80
B-BBEE STATUS LEVEL OF CONTRIBUTOR	20
Total points for Price and B-BBEE must not exceed	100

1.5 Failure on the part of a bidder to submit proof of B-BBEE Status level of contributor together with the quote, will be interpreted to mean that preference points for B-BBEE status level of contribution are not claimed.

1.6 The purchaser reserves the right to require of a bidder, either before a quote is adjudicated or at any time subsequently, to substantiate any claim in regard to preferences, in any manner required by the purchaser.

2. DEFINITIONS

- (a) **"B-BBEE"** means broad-based black economic empowerment as defined in section 1 of the Broad-Based Black Economic Empowerment Act;
- (b) **"B-BBEE status level of contributor"** means the B-BBEE status of an entity in terms of a code of good practice on black economic empowerment, issued in terms of section 9(1) of the Broad-Based Black Economic Empowerment Act;
- (c) **"bid"** means a written offer in a prescribed or stipulated form in response to an invitation by an organ of state for the provision of goods or services, through price quotations, advertised competitive bidding processes or proposals;
- (d) **"Broad-Based Black Economic Empowerment Act"** means the Broad-Based Black Economic Empowerment Act, 2003 (Act No. 53 of 2003);
- (e) **"EME"** means an Exempted Micro Enterprise in terms of a code of good practice on black economic empowerment issued in terms of section 9 (1) of the Broad-Based Black Economic Empowerment Act;
- (f) **"functionality"** means the ability of a tenderer to provide goods or services in accordance with specifications as set out in the tender documents.
- (g) **"prices"** includes all applicable taxes less all unconditional discounts;
- (h) **"proof of B-BBEE status level of contributor"** means:
 - 1) B-BBEE Status level certificate issued by an authorized body or person;
 - 2) A sworn affidavit as prescribed by the B-BBEE Codes of Good Practice;
 - 3) Any other requirement prescribed in terms of the B-BBEE Act;
- (i) **"QSE"** means a qualifying small business enterprise in terms of a code of good practice on black economic empowerment issued in terms of section 9 (1) of the Broad-Based Black Economic Empowerment Act;
- (j) **"rand value"** means the total estimated value of a contract in Rand, calculated at the time of bid invitation, and includes all applicable taxes;

3. POINTS AWARDED FOR PRICE

3.1 THE 80/20 PREFERENCE POINT SYSTEMS

A maximum of 80 points is allocated for price on the following basis:

$$P_s = 80 \left(1 - \frac{P_t - P_{\min}}{P_{\min}} \right) \text{ Where}$$

- P_s = Points scored for price of bid under consideration
- P_t = Price of bid under consideration
- P_{min} = Price of lowest acceptable bid

4. POINTS AWARDED FOR B-BBEE STATUS LEVEL OF CONTRIBUTOR

4.1 In terms of Regulation 6 (2) and 7 (2) of the Preferential Procurement Regulations, preference points must be awarded to a bidder for attaining the B-BBEE status level of contribution in accordance with the table below:

B-BBEE Status Level of Contributor	Number of points (80/20 system)
1	20
2	18
3	14
4	12
5	8
6	6
7	4
8	2
Non-compliant contributor	0

5. BID DECLARATION

5.1 Bidders who claim points in respect of B-BBEE Status Level of Contribution must complete the following:

6. B-BBEE STATUS LEVEL OF CONTRIBUTOR CLAIMED IN TERMS OF PARAGRAPHS 1.4 AND 4.1

6.1 B-BBEE Status Level of Contributor: =(maximum of 20 points)

(Points claimed in respect of paragraph 7.1 must be in accordance with the table reflected in paragraph 4.1 and must be substantiated by relevant proof of B-BBEE status level of contributor.

7. SUB-CONTRACTING

(Tick applicable box)

7.1 Will any portion of the contract be sub-contracted?

YES	<input type="checkbox"/>	NO	<input type="checkbox"/>
-----	--------------------------	----	--------------------------

7.1.1 If yes, indicate:

- i) What percentage of the contract will be subcontracted.....%
- ii) The name of the sub-contractor.....
- iii) The B-BBEE status level of the sub-contractor.....

8. Whether the sub-contractor is an EME or QSE

(Tick applicable box)

iv) Specify, by ticking the appropriate box, if subcontracting with an enterprise in terms of Preferential Procurement Regulations, 2017:

YES	<input type="checkbox"/>	NO	<input type="checkbox"/>
-----	--------------------------	----	--------------------------

Designated Group: An EME or QSE which is at least 51% owned by:	EME √	QSE √
Black people		
Black people who are youth		
Black people who are women		
Black people with disabilities		
Black people living in rural or underdeveloped areas or townships		
Cooperative owned by black people		
Black people who are military veterans		
OR		
Any EME		
Any QSE		

9. DECLARATION WITH REGARD TO COMPANY/FIRM

9.1 Name of company/firm:.....

9.2 VAT registration number:.....

9.3 Company registration number:.....

9.4 TYPE OF COMPANY/ FIRM [TICK APPLICABLE BOX]

- Partnership/Joint Venture / Consortium
- One person business/sole propriety
- Close corporation
- Company
- (Pty) Limited

9.5 DESCRIBE PRINCIPAL BUSINESS ACTIVITIES

.....

.....

9.6 COMPANY CLASSIFICATION [TICK APPLICABLE BOX]

- Manufacturer
- Supplier
- Professional service provider
- Other service providers, e.g. transporter, etc.

9.7 Total number of years the company/firm has been in business:.....

9.8 I/we, the undersigned, who is / are duly authorised to do so on behalf of the company/firm, certify that the points claimed, based on the B-BBE status level of contributor indicated in paragraphs 1.4 and 6.1 of the foregoing certificate, qualifies the company/ firm for the preference(s) shown and I / we acknowledge that:

- i) The information furnished is true and correct;
- ii) The preference points claimed are in accordance with the General Conditions as indicated in paragraph 1 of this form;
- iii) In the event of a contract being awarded as a result of points claimed as shown in paragraphs 1.4 and 6.1, the contractor may be required to furnish documentary proof to the satisfaction of the purchaser that the claims are correct;
- iv) If the B-BBEE status level of contributor has been claimed or obtained on a fraudulent basis or any of the conditions of contract have not been fulfilled, the purchaser may, in addition to any other remedy it may have –
 - (a) disqualify the person from the bidding process;
 - (b) recover costs, losses or damages it has incurred or suffered as a result of that person's conduct;
 - (c) cancel the contract and claim any damages which it has suffered as a result of having to make less favourable arrangements due to such cancellation;
 - (d) recommend that the bidder or contractor, its shareholders and directors, or only the shareholders and directors who acted on a fraudulent basis, be restricted by the National Treasury from obtaining business from any organ of state for a period not exceeding 10 years, after the *audi alteram partem* (hear the other side) rule has been applied; and
 - (e) forward the matter for criminal prosecution.

WITNESSES

1.

2.

.....

SIGNATURE(S) OF BIDDERS(S)

DATE:

ADDRESS.....

.....

.....



health

Department:
Health

PROVINCE OF KWAZULU-NATAL

ZNQ 546/2012

01

Edendale Hospital
Private Bag X 509, Plessislaer, 3216
Tel.: 033 395 4244, Fax: 033 395 4570
email: Mawonga.mazibuko@kznhealth.gov.za
www.kznhealth.gov.za

Ref: ZNQ:

Enquiries: A. SOOKDAVU
Telephone: 033-395-4244

Description: MESHER - MESH GRAFT TISSUE EXPANSION SYSTEM

SECTION A - General

Clause	Clause Description	Bidders Remarks
G1	Bidders must quote on the supply and delivery of the item.	
G2	SABS/SANS proof of certification or any other relevant certification documentation must be provided with the quotation.	
G3	Please state brand name of item quoted for.	
G4	The packet/box must include the following details: 4.1 Manufacturing date. 4.2 Name and contact details of the company. 4.3 Manuals on how to use the item must be included.	
G5	If in-service training is to be given on how to operate the required item, the bidder must be made available at no extra cost.	
G6	Bidder must state the guarantee period of the item quoted for.	_____ Months
G7	Bidder to please note that the guarantee period of this item must not be less than 12 months. Failure to this will cause refusal to accept delivery and the uplifting and return of the stock will be for the suppliers own account.	

SECTION B - Technical Specification

Clause	Clause Description	Bidders Remarks
T1	- MANUALLY OPERATED, USED WITH A DERMACARRIER	
T2	- HAVE A RATCHET HANDLE TO FACILITATE	
T3	PROPER ALIGNMENT OF THE DERMACARRIER.	
T4	- HAS A CONTINUOUS FEED ROLLER, A CUTTER, AGUIDANCE PLATEAU & A CURVED STABILISING BAR / CARRYING HANDLE.	
T5		

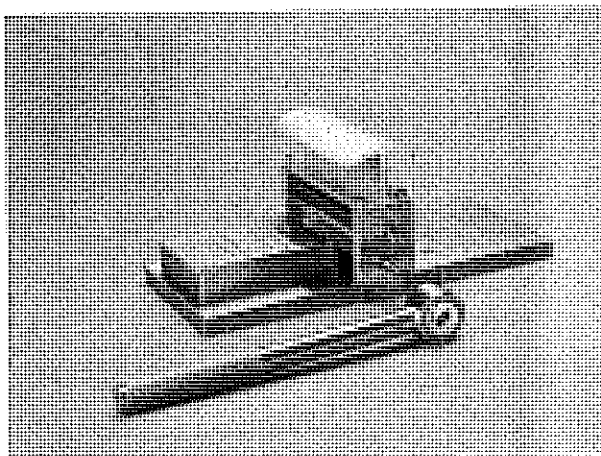
Complied by: R. L. KUMANO

signature: Rekmalu ^{Amu}

SECTION C - Confirmation

2NB 546/20-21

2





2 NA/67E/20-B1
02

Physical Address: Main Road Edendale, Edendale
Postal Address: Private Bag X509, Plessislaer, 3216
Tel: 033 3954251 Fax: 033 3954270 Email: anil.sookdavu@kznhealth.gov.za
www.kznhealth.gov.za

SUPPLY CHAIN MANAGEMENT

SPECIFICATION FOR STAINLESS STEEL MEDICATION FRIDGE THERMOMETER

SECTION A – General

Clause	Clause Description	Bidders Remarks
G1	Bidders must quote on the supply and delivery of the item.	
G2	SABS/SANS proof of certification or any other relevant certification documentation must be provided with the quotation.	
G3	Bidders must provide a sample of the item quoted for.	
G3.1	Please state brand name of item quoted for:	
G4	Bidder must state the guarantee period of the item quoted for.	_____ Months
G5	Bidder must ensure that brochures and directions for use are included.	

SECTION B – Technical Specification

Clause	Clause Description	Bidders Remarks
T1	The required thermometer for refrigerator -65mm Dial with colour zones for safe keeping of medication	
T2	The thermometer ideal for safe refrigeration temperature control and monitoring	
T3	The required thermometer must be easy to hang inside the fridge	
T4	The thermometer must have visible colored temperature scale indicating the recommended and accurate temperature for safe storage of medication in the refrigerator	
T5	The thermometer must have a see through glass coverage to enable easy cleaning and temperature reading	
T6	Dimensions: 85X 65 X 14.5mm Accuracy: +/- 2.0 ^o C	
T7	The thermometer must have a nominal range of -30 to +30 ^o C	
T8	The Thermometer must be light in weight	
T9	The thermometer must be round in shape with easy hook and must be stainless steel	

SECTION C – Confirmation

Compulsory to be completed by the bidder and returned with quotation:

I, _____, from _____ do hereby
 (Print Name) (Name of Business)
 acknowledge that I have read and understand the specifications as laid out above and will ensure that the quotation price submitted will address all the requirements as stipulated.

 Signature Date



ZNA 1348/20-2103

Physical Address: Main Road Edendale, Edendale
Postal Address: Private Bag X509, Plessislaer, 3216
Tel: 033 3954251 Fax: 033 3954270 Email: anil.sookdavu@kznhealth.gov.za
www.kznhealth.gov.za

SPECIFICATION SAFETY SHAVING DISPOSABLE RAZOR

SECTION A – General

Clause	Clause Description	Bidders Remarks
G1	Bidders must quote on the supply and delivery of the item.	
G2	SABS/SANS proof of certification or any other relevant certification documentation must be provided with the quotation. G2.1 Failure to provide proof of certification may render your bid as not valid.	
G3	Bidders must provide a sample of the item quoted for.	
G3.1	Please state brand name of item quoted for:	
G4	Preference will be given to a brand that all clinicians have been trained and skilled to use. Any other brands will have to be trialed and the end-user training given at no extra cost to the final bid price.	
G5	Bidder to provide an operating manual which gives clear instructions.	
G8	Bidder to ensure that the following information is clearly indicated on each of the units. G8.1 The correct description of the contents. G8.2 The correct size of the contents. G8.3 The Lot/batch number. G8.4 The manner in which sterilization was done. G8.5 Date of manufacture. G8.6 Name and contact details of the manufacturer. G8.7 The expiry date. G8.8 Bidder to note that the expiry date must not be less than 18 months. Failing this the delivery will not be accepted and will have to be returned at the expense of the supplier. G8.9 Item code.	
G9	Bidder to provide references of other health institutions or clinicians currently utilizing the product offered.	
G10	Failure to return this specification document fully completed and signed may render your bid as not valid and will not be considered.	

3

SECTION B – Technical Specification

Clause	Clause Description	Bidders Remarks
T1	The required disposable razors are to be suitable for the preparation for surgical procedures.	
T2	The razor is to be double edged single use	
T3	The required razor must have a plastic casing. The razor must have a non-slip, comfortable handle.	
T4	The disposable razors must be individually wrapped in the clear sealed pouch.	

SECTION C – Confirmation

Compulsory to be completed by the bidder and returned with quotation:

I,, from do hereby	
(Print Name)	(Name of Business)
acknowledge that I have read and understand the specifications as laid out above and will ensure that the quotation price submitted will address all the requirements as stipulated.	
..... Signature / / Date

5

04.

REVISED: 13/09/2016

PROVINCE OF KWAZULU-NATAL

DEPARTMENT OF HEALTH

HEALTH TECHNOLOGY SERVICES (H.T.S)

SPECIFICATION FOR:

UMDNS: 15146

HAEMOGLOBINOMETERS – ELECTRONIC PORTABLE

SPECIFICATION: H.T.S. NO. E 143 (ELECTRONICS)

Description of Unit:

HAEMOGLOBINOMETERS – ELECTRONIC PORTABLE

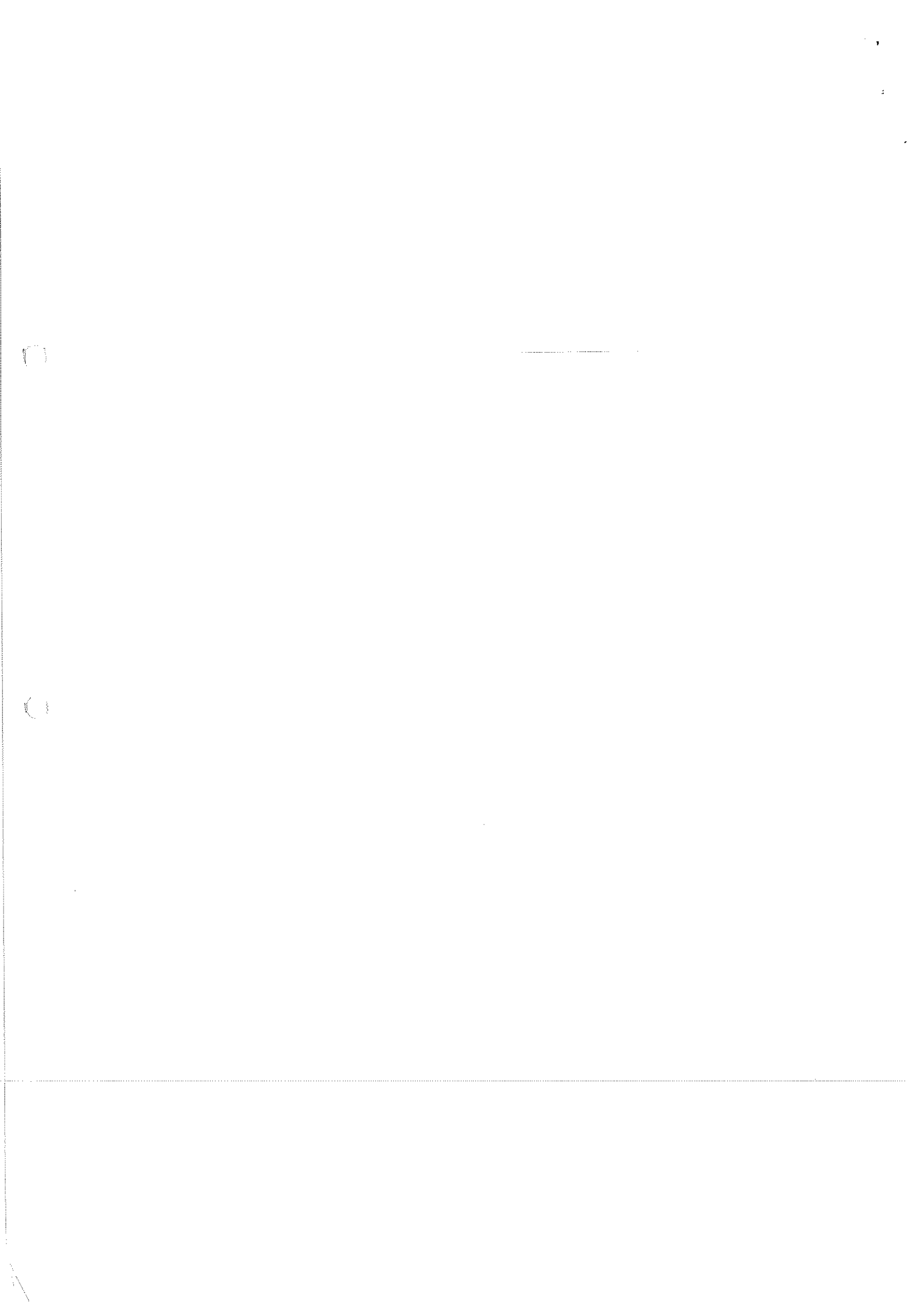
Intended Areas of Use:

District Hospitals
Regional Hospitals
Tertiary Hospitals

Expert Advisory Group:

Anaesthesia, Critical Care
and Emergency Medicine

Handwritten signature



REVISED: 13/09/2016

PROVINCE OF KWAZULU-NATAL

DEPARTMENT OF HEALTH

**HEALTH TECHNOLOGY SERVICES
(H.T.S)**

SPECIFICATION FOR:

UMDNS: 15146

HAEMOGLOBINOMETERS – ELECTRONIC PORTABLE

SPECIFICATION: H.T.S. NO. E 143 (ELECTRONICS)

Description of Unit:

HAEMOGLOBINOMETERS – ELECTRONIC PORTABLE

Intended Areas of Use:

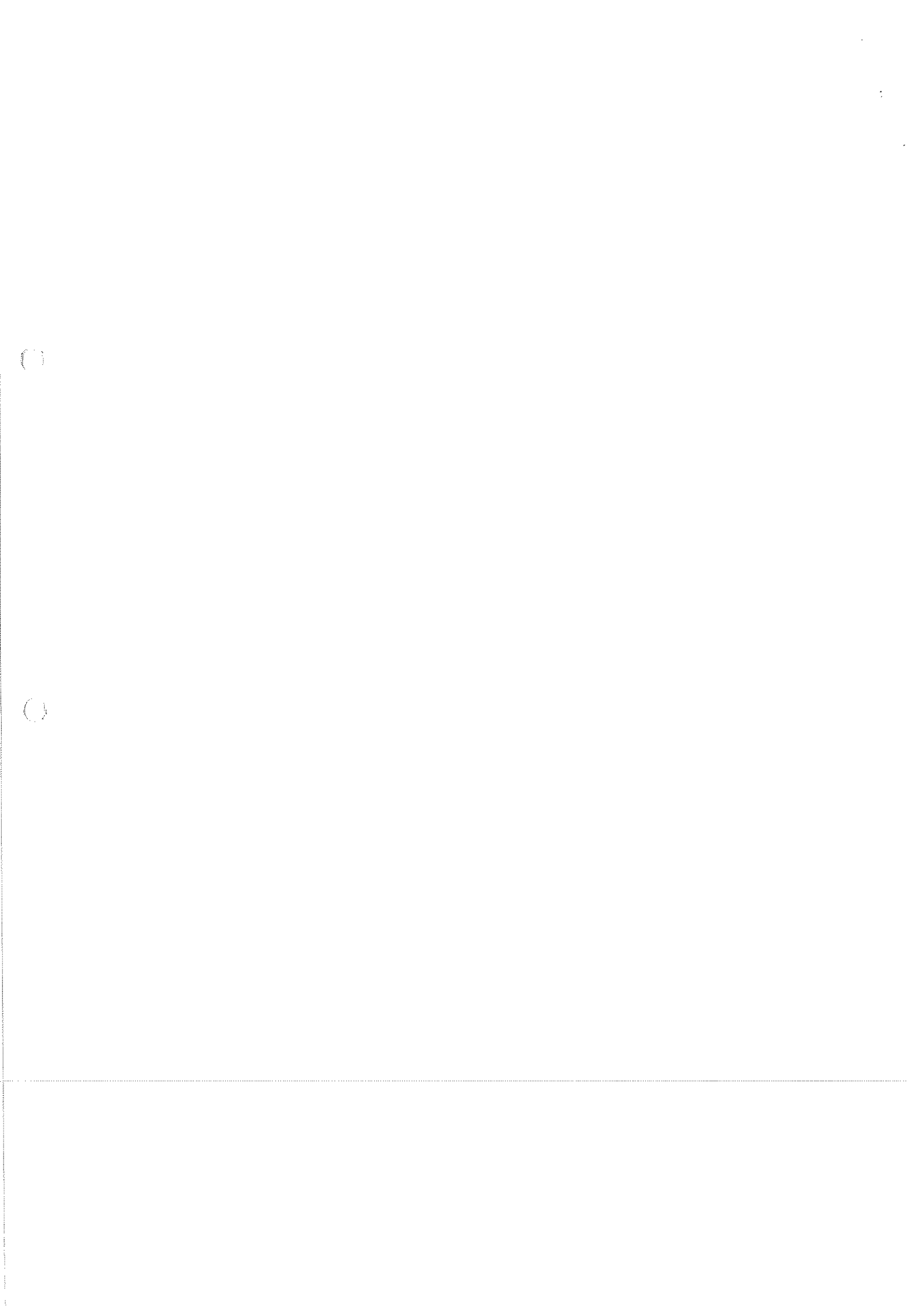
District Hospitals
Regional Hospitals
Tertiary Hospitals

Expert Advisory Group:

Anaesthesia, Critical Care
and Emergency Medicine

NB: GENERAL CLAUSES THAT DO NOT APPLY TO THE EQUIPMENT OFFERED MUST BE ANSWERED "COMPLIES", "DOES NOT COMPLY" OR ANSWER THE QUESTION UNDER BIDDERS COMMENTS.

NO	SPECIFICATION	BIDDERS COMMENTS: STATE "COMPLIES" OR "DOES NOT COMPLY" OR ANSWER THE QUESTION.
Clause G1.1	<p>The space provided under "Bidder's Comments" for each clause must be used for this purpose. Bidders who neglect to provide answers to every Clause in this Bid Specification will be disqualified. Bidders must note that abbreviated answers e.g. N/A etc. will not be accepted.</p> <p>Bidders must also note that no part of any clause/s in this Bid Specification may be altered. Where there are traces of alterations found to any clauses in this Bid Specification during Adjudication, the Adjudication Committee will reserve the right to disqualify the bidder.</p> <p>The Bidder must clearly indicate if their offered product complies with the stated requirements, by indicating, "Complies" or "Does not comply" or answer the question next to the corresponding clause.</p>	
Clause G2	All responses must be clear and legible.	
Clause G3	GUARANTEE:	
Clause G3.1	<p>All Equipment, Materials and Workmanship provided under this Contract must be Guaranteed for a minimum period of twenty four (24) Months. The successful bidder must arrange with the respective Hospital / Institution and the Health Technology Services before Commissioning the Equipment at the respective Hospital / Institution.</p> <p>The bidder to note that the Guarantee period must only take effect upon successful Commissioning at the respective Hospital / Institution and successful test and acceptance by the Health Technology Services.</p>	
Clause G3.2	State percentage guaranteed up time of machine (Should be at least 99%).	
Clause G3.3	The recommended number of services, per annum, by the manufacturer, must be included during and up until the end of the guarantee period and all costs related to the provision of such service/s will be for the bidders account.	
Clause G3.4	The bidder must state the number of services that will be provided during and up to the end of the guarantee period.	
Clause G3.5	Any breakdown during the guarantee period must include all cost (spares, labour, travelling and sundries) for any prescribed maintenance services (major and minor) as well as any QA testing that is required by Department Health's Radiation Control Board during the guarantee period.	
Clause G3.6	Travelling and Travelling Time costs must be included during the Guarantee Period?	
Clause G3.7	Spares that may be required during the Guarantee Period will be supplied at the expense of the bidder.	
Clause G3.8	Downtime during the Guarantee Period must extend the Guarantee time on a Day-to-Day basis.	
Clause G3.9	Any repetition (twice or more) of the same type of fault that first occurred during the guarantee period must be considered as a repair under guarantee if it occurs within the first year after the expiry of the guarantee period.	



NO	SPECIFICATION	BIDDERS COMMENTS: STATE "COMPLIES" OR "DOES NOT COMPLY" OR ANSWER THE QUESTION.
Clause G3.10	The same guarantee conditions must apply to replacement units.	
Clause G4	The successful bidder must Supply, Deliver, Commission and install the Equipment and will be required to demonstrate the product to the applicable Staff at the Institution and costs for the abovementioned must be included in the final bid price.	
Clause G5	Bidders must offer the Health Technology Service's In House Technicians a demonstration of the product, which will enable the Health Technology Service's In House Technicians to become acquainted with the equipment during the Test and Acceptance phase.	
Clause G6	Preference may be given to a make and model that has been technically and clinically evaluated by a Government Institution within the R.S.A. (Attach proof of evaluation where applicable).	
Clause G7	The successful bidder must provide the Health Technology Service's in house Technicians, full training in the calibration, maintenance, service and repair of the product down to PCB Level. N.B. The quality and level of the training must be equivalent to the manufacturer's original factory training and any costs incurred to provide this training will be for the bidders account. A Certificate of Competency must be issued on completion of the training. The Training must be provided by the successful bidder to the Health Technology Services within three months from date of initial supply and delivery of the equipment to the end user.	
Clause G8	SERVICING:	
Clause G8.1	The bidder must have a well established service and repair facility in KwaZulu-Natal, to service, repair and calibrate the equipment offered. (The Health Technology Services reserves the right to inspect the premises).	
Clause G8.2	If the service is subcontracted to a local service agent, a signed copy of the letter of appointment by the bidder and acceptance by the subcontractor must be submitted with this bid / quotation. (The Health Technology Services reserves the right to inspect the premises).	
Clause G8.3	State Number of other medical equipment "Repair & Service" Agencies (excluding your Agency) represented by the subcontractor.	
Clause G8.4	<p>Supply the Name, Address and Telephone Number/s of the Local Service Department within KwaZulu-Natal.</p> <p>Please supply details as follows:</p> <p>Company name : _____</p> <p>Physical Address : _____</p> <p>_____</p> <p>Telephone Number/s : _____</p> <p>Fax number : _____</p> <p>_____</p> <p><i>(The Health Technology Services reserves the right to inspect the</i></p>	

NO	SPECIFICATION	BIDDERS COMMENTS: STATE "COMPLIES" OR "DOES NOT COMPLY" OR ANSWER THE QUESTION.
	<i>premises).</i>	
Clause G8.5	State if the Technician(s) are in the direct employ of the bidder or a subcontractor.	
Clause G8.6	The bidder must supply information on the number of Technicians permanently working in KwaZulu-Natal and their names and contact Telephone Number/s must be listed (Directly employed or subcontracted) in an annexure to the bid document.	
Clause G8.7	The Technician(s) must be original equipment manufacturer trained to deal with the service, repair and calibration of the equipment quoted on. N.B. Proof of original equipment manufacturer training must be submitted with this bid / quotation offer.	
Clause G8.8	The Institution's requirement is that a technician is available within a reasonable time (24 hours) to attend to malfunctioning equipment. The Bidder to state the technician per install base e.g. equipment ratio to technician ratio, e.g. 1 technician per 10 pieces of equipment.	
Clause G9	The bidder must Guarantee that no additional equipment will be required for the successful operation of the equipment bided for on delivery and commissioning at the customers site. A starter pack of all essential accessories and disposables must be supplied so that the unit can be put into immediate operation. The cost of the starter pack must be included in the final bid price.	
Clause G10	Optional accessories must be offered for separately on the Schedule of optional accessories found at the end of this Technical specification, indicating catalogue numbers, correct descriptions and Prices inclusive of V.A.T.	
Clause G11	Bidder must state the period of time for delivery of Spare parts following the receipt of an official order as follows: 0 to 10 days; 0 to 20 days; 0 to 30 days; 0 to 60 days; 0 to 90 days; more than 90 days.	
Clause G11.1	The Bidder must supply with this offer a list together with the quantities of spares held locally in stock in the KwaZulu-Natal Province on the offered product. The Health Technology Services reserves the right to inspect the premises to verify the spares stock held.	
Clause G12	The bidder must include a firm commitment in writing, which must be attached with this bid that they would supply spares, components, upgrades, complete original service / repair manual, technical support and ongoing training support for technical staff of the Health Technology Services and the end users Department of Health, KwaZulu-Natal throughout the life cycle of the equipment offered.	
Clause G13	Spares must be available for 10 (Ten) years from the original equipment manufacturer for the product offered.	
Clause G14	The successful bidder must include in their offer at no extra cost to the final bid price:	

NO	SPECIFICATION	BIDDERS COMMENTS: STATE "COMPLIES" OR "DOES NOT COMPLY" OR ANSWER THE QUESTION.
Clause G14.1	Complete user Operation / Maintenance Manual x 2 (two) Book / File; CD; DVD copies in English Language.	
Clause G14.2	Complete ORIGINAL Service / Repair Manual x 2 (two) Book / File; CD; DVD copies in English Language which MUST include the following information: Fault Finding Guide, Circuit Diagrams / Schematics, Circuit Descriptions, and PCB Layouts, Calibration Guide, Part Numbers and exploded diagram of Mechanical Parts / Panels.	
Clause G14.3	All the above Manuals must be properly bound in either a Book, File or CD form.	
Clause G14.4	The Bidder must supply all software (including software-keys and / or passwords) to allow for trouble shooting (faultfinding), maintenance, calibrations, repairs and services at no additional cost.	
Clause G15	Does your Company have an after hour service back up facility.	
Clause G16	If the equipment is taken away for repairs, a loan set must be made available on request to the end user by the Institution until the Institution's unit is returned. All costs incurred for providing the loan unit must be for the bidders account.	
Clause G17	Bidder must bid on the latest model and Technology that fully complies with this Technical Specification.	
Clause G17.1	The Bidder must state how long this technology has been commercially available (state when the model offered was launched).	
Clause G17.2	The bidder must state if there are any near future updates expected.	
Clause G18	The successful bidder must maintain a system for notifying and providing users with Updates, Modifications, new Software Releases and Recalls.	
Clause G19	The successful bidders must arrange for an acceptance test of the equipment with the Manager of the Health Technology Services and the Hospital Manager. A copy of the original answered Specification, copy of the invoice order and relevant paperwork (PH form) from the receiving Hospital must be submitted with the equipment when the ACCEPTANCE TEST is to be undertaken.	
Clause G20	Where equipment bided for, operates off 220 Volt, 50Hz a.c. supply, bidder must ensure that the product being quoted for is fitted with a 15 Amp approved mains plug top, which is held together by two screws.	
Clause G21	The unit must comply with an acceptable International Electrical Safety Standard such as IEC 60601-1 and 60601-1-2 for Medical Equipment where the quoted equipment operates off an electrical supply.	
Clause G22	All equipment, the installation and any alteration / additions must comply with:	
Clause G22.1	The Occupational Health and Safety Act (1993);	
Clause G22.2	The wiring code S.A.N.S. 0142.	
Clause G23	Units being quoted for must be CE Certified. (Attach a copy of certification). The make and the model offered must be reflected on the certificate.	

NO	SPECIFICATION	BIDDERS COMMENTS: STATE "COMPLIES" OR "DOES NOT COMPLY" OR ANSWER THE QUESTION.
Clause G24	The Mains Cable of the unit being quoted for must be the Hospital Grade Type and it must be a minimum length of (3) three metres. N.B. The mains cable of the unit being quoted for must be S.A.N.S. colour coded.	
Clause G25	The equipment being quoted for must be protected against Electro magnetic Interference.	
Clause G26	Only new equipment must be quoted for. Refurbished and reconditioned equipment being quoted on will not be accepted.	
Clause G27	Bidders must note that dedicated test equipment, spare parts and any special tooling required for the upkeep and maintenance of the equipment quoted on must be available to the Health Technology Services to procure if requested.	
Clause G28	All the necessary calibration and maintenance software, where applicable, required to maintain and calibrate the equipment, must be supplied with the equipment to the Health Technology Services at no extra cost to the final bid price.	
Clause G29	NB. HAZARDOUS SUBSTANCE ACT:	
Clause G29.1	If this type of equipment / apparatus appears on the schedule of Hazardous Substances issued by the Directorate: Health Technology of the Department of Health, a license in terms of the Act on Hazardous Substances (Act. 15/1973) must be submitted with this bid document. The license must be registered under the bidders name or a letter of joint venture must be submitted by the license holder where the license is not in the name of the bidder. Bidders that neglect to submit a license will not be considered.	
Clause G29.2	Bidder must state the Radiation Control licence number of the make and model of equipment offered.	License No:
Clause G29.3	Where it has been established by the bidder that the equipment offered does not require Radiation Control licence, proof from the Radiation Control authority must be submitted with this bid document.	
Clause G30	The system offered must comply fully with or exceed all of the minimum specification requirements per the Technical Clauses.	
Clause G31	The offer submitted must be supported by descriptive literature, colour pamphlets, colour brochures and technical data sheets applicable to the offer (i.e. supporting information for all components of the system) must accompany the bid, failing which the bid will not be considered.	
Clause G32	The equipment and any accessories ordered from the successful bidder will be delivered, installed, tested, calibrated, demonstrated (including specified training) and commissioned in the specific Hospital at the expense of the successful Bidder, prior to full payment being made.	
Clause G33	All prices are to include V.A.T. and must be quoted in the South African currency. The price must be valid for a period of 180 days from closing date of bid.	
Clause G34	If the product offered is unknown to the Department, the Department reserves the right to have the unit evaluated by a team of Technical and Clinical <u>experts</u> with regards to its functionality, performance and quality. The decision of this committee will be used as a motivation for the evaluation and recommendation of the bid. For this reason a demonstration unit must be readily available, or the bidder must take arrange for demonstration with	

NO	SPECIFICATION	BIDDERS COMMENTS: STATE "COMPLIES" OR "DOES NOT COMPLY" OR ANSWER THE QUESTION.
	representatives of the Department for the equipment offered at a site within South Africa where a same make and model of unit is installed and is in full clinical operation. The cost of this site visit is for the account of the bidder and it must therefore not place any obligation on the Department to procure from the bidder.	
Clause G35	The Institution requesting the unit reserves the right to clinically trial and evaluate the unit in order to ensure that the unit meets the clinical requirements of the Department before adjudication of the bid.	
Clause G36	UPGRADEABILITY WHERE APPLICABLE:	
Clause G36.1	Bidders are to state the policy with regard to future software updates and the costs that will be involved.	
Clause G36.2	The Bidder to state what hardware and software will be available, with costs and projected dates.	
Clause G37	UPGRADE POLICY:	
Clause G37.1	All future upgrades (hardware and software) involving <u>patient safety</u> must be offered at no additional cost.	
Clause G37.2	All future upgrades removing software viruses from existing software must be supplied at no cost.	
Clause G37.3	Any upgrade before or after installation of the equipment involving additional cost must be brought to the attention of the Manager, Health Technology Services.	
Clause G38	The Bidder must indicate the expected life of their offered unit and software in years.	

TECHNICAL SPECIFICATION

NO	SPECIFICATION	STATE YES OR NO Give information or values where appropriate. Supply information on a separate sheet of space provided is inadequate.
Clause 1	<p>This bid specification calls for the supply, delivery, end-user training, demonstration, commission and installation of a Portable Haemoglobinometer.</p> <p>The unit must be:</p> <ul style="list-style-type: none"> a) Robust b) Lightweight c) Compact – State dimensions d) Accurate e) Simple to operate f) User friendly g) Must require a minimum amount of maintenance 	
Clause 2	<p>The unit must be operable from either a 220 Volt + 10%, 50Hz a.c. single phase power supply or batteries</p> <p>In the event where the meter makes use of 220V a.c. power supply, then the power supply must be fitted with a 15A plug top so that it could be directly connected to a 220 Volt, 15A power socket.</p> <p>The bidder must state the type of batteries used and the voltage of the batteries that are used on the unit.</p> <p>If the unit operates of an internally mounted rechargeable battery, the bidder must also state the type of rechargeable battery used its voltage and capacity</p>	
Clause 3	<p>The haemoglobinometer must:</p> <ul style="list-style-type: none"> a) Be electronic b) Employ photometry and circuitry with a microcomputer c) Have a reasonable size digital display – State dimensions 	
Clause 4	<p>The digital display:</p> <ul style="list-style-type: none"> a) State size of display b) Must be clearly visible under all lighting conditions. c) Must provide indication of a low battery condition. 	
Clause 5	<p>The haemoglobinometer offered must:</p> <ul style="list-style-type: none"> a) Be able to display haemoglobin test results in g/l; g/dl and mmol/l b) There must be provision for selection of any one of the three choices, allowing for user flexibility c) Be able to analyze arterial, capillary ; venous or whole blood d) Allow for a range of: <ul style="list-style-type: none"> 6 – 15 mmol/L 6 - 21 g/dl. 	
Clause 6	<p>The accuracy of the meter must be + 1,5%.</p> <p>Preference may be given to the bidder who could provide a comparison of test results obtained from the tendered meter and test results obtained from the laboratory for the same sample.</p> <p>The meter offered must still provide accurate measurement results and be capable of automatically compensating for turbid blood samples</p>	
Clause 7	The unit offered must display test results within a maximum time period of 60 seconds	

NO	SPECIFICATION	STATE YES OR NO Give information or values where appropriate. Supply information on a separate sheet of space provided is inadequate.
Clause 8	List the following: a) Number of test results that can be stored b) Optimum operating temperatures c) Optimum storing temperatures d) Minimum sample volume	a) b) c) d)
Clause 9	Costing and disposables: a) The bidder must state if the unit on offer makes use of disposable measuring cuvettes b) If the unit on offer employs other methods for carrying out sample measurements, the bidder must specify and provide costs inclusive of V.A.T. on related disposables. c) State the duration of stability of cuvettes/test strips once open d) State the present cost per test on the unit being offered e) The unit offered must be supplied with a starter pack kit of disposables to carry out test measurements and the cost of these must be included in the final bid price. The starter pack must include: • Disposable test strips / cuvettes • A re-usable lancet device designed to make blood collection almost pain free • A starter pack of compatible disposable lancets f) The bidder must state the number of tests that can be performed with the starter kit.	
Clause 10	Calibration of the haemoglobinometer: a) The meter must be supplied with a test control cuvette or any other reliable test control solution, which will allow the user to confirm and verify the calibration of the unit. b) If calibration is not required provide evidence of factory calibration or reference	
Clause 11	Guarantee / Warranty: There must be a minimum 24-month warranty / guarantee period State the guarantee period	

SCHEDULE OF OPTIONAL ACCESSORIES

Bidders must quote the price of the optional accessories listed as well as any other accessories that may be useful to the end users.

Cat No	Item	Price Including VAT			
		Year 1	Year 2	Year 3	Total

SCHEDULE OF ACCESSORIES

Bidders must quote for accessories that are used with the system offered. Bidders must also indicate if these accessories need to be compatible with the system offered or whether generic accessories can be utilized with the system offered.

Cat No	Item	Price including VAT			
		Year 1	Year 2	Year 3	Total

DETAILED TECHNICAL SPECIFICATION

GENERAL INFORMATION REQUIRED

FAILURE TO COMPLETE THIS PART WILL DISQUALIFY THE BIDDER

Make: _____

Model Number / Part Number for: _____

Country of Origin _____

Delivery Period _____

R S A Import Permit Holder (License No) _____

Bidder _____

Signature _____ Date _____

Address _____

Telephone No. _____ Fax No. _____

Contact Person _____
(Please Print)

4
20-21 05

REVISED: 01/08/2016

PROVINCE OF KWAZULU-NATAL

DEPARTMENT OF HEALTH

90
HEALTH TECHNOLOGY SERVICES

SPECIFICATION FOR:

UMDNS: 16156

SPHYGMOMANOMETERS - ANEROID (FREE STANDING DESK TYPE)

SPECIFICATION: H.T.S. – NO. S99 (SURGICAL)

70
Page 1

SPECIFICATION: H.T.S No-S99 (SURGICAL)

REVISED: 01/08/2016

Page 1 of 13

NB: GENERAL CLAUSES THAT DO NOT APPLY TO THE EQUIPMENT OFFERED MUST BE ANSWERED "COMPLIES", "DOES NOT COMPLY" OR ANSWER THE QUESTION UNDER BIDDERS COMMENTS.

NO	SPECIFICATION	BIDDERS COMMENTS: STATE "COMPLIES" OR "DOES NOT COMPLY" OR ANSWER THE QUESTION.
Clause G1.1	<p>The space provided under "Bidder's Comments" for each clause must be used for this purpose. Bidders who neglect to provide answers to every Clause in this Bid Specification will be disqualified. Bidders must note that abbreviated answers e.g. N/A etc. will not be accepted.</p> <p>Bidders must also note that no part of any clause/s in this Bid Specification may be altered. Where there are traces of alterations found to any clauses in this Bid Specification during Adjudication, the Adjudication Committee will reserve the right to disqualify the bidder.</p> <p>The Bidder must clearly indicate if their offered product complies with the stated requirements, by indicating, "Complies" or "Does not comply" or answer the question next to the corresponding clause.</p>	
Clause G2	All responses must be clear and legible.	
Clause G3	GUARANTEE:	
Clause G3.1	<p>All Equipment, Materials and Workmanship provided under this Contract must be Guaranteed for a minimum period of twenty four (24) Months. The successful bidder must arrange with the respective Hospital / Institution and the Health Technology Services before Commissioning the Equipment at the respective Hospital / Institution.</p> <p>The bidder to note that the Guarantee period must only take effect upon successful Commissioning at the respective Hospital / Institution and successful test and acceptance by the Health Technology Services.</p>	
Clause G3.2	State percentage guaranteed up time of machine (Should be at least 99%).	
Clause G3.3	The recommended number of services, per annum, by the manufacturer, must be included during and up until the end of the guarantee period and all costs related to the provision of such service/s will be for the bidders account.	
Clause G3.4	The bidder must state the number of services that will be provided during and up to the end of the guarantee period.	
Clause G3.5	Any breakdown during the guarantee period must include all cost (spares, labour, travelling and sundries) for any prescribed maintenance services (major and minor) as well as any QA testing that is required by Department Health's Radiation Control Board during the guarantee period.	
Clause G3.6	Travelling and Travelling Time costs must be included during the Guarantee Period?	
Clause G3.7	Spares that may be required during the Guarantee Period will be supplied at the expense of the bidder.	
Clause G3.8	Downtime during the Guarantee Period must extend the Guarantee time on a Day-to-Day basis.	
Clause G3.9	Any repetition (twice or more) of the same type of fault that first occurred during the guarantee period must be considered as a repair under guarantee	

NO	SPECIFICATION	BIDDERS COMMENTS: STATE "COMPLIES" OR "DOES NOT COMPLY" OR ANSWER THE QUESTION.
	if it occurs within the first year after the expiry of the guarantee period.	
Clause G3.10	The same guarantee conditions must apply to replacement units.	
Clause G4	The successful bidder must Supply, Deliver, Commission and install the Equipment and will be required to demonstrate the product to the applicable Staff at the Institution and costs for the abovementioned must be included in the final bid price.	
Clause G5	Bidders must offer the Health Technology Service's In House Technicians a demonstration of the product, which will enable the Health Technology Service's In House Technicians to become acquainted with the equipment during the Test and Acceptance phase.	
Clause G6	Preference may be given to a make and model that has been technically and clinically evaluated by a Government Institution within the R.S.A. (Attach proof of evaluation where applicable).	
Clause G7	The successful bidder must provide the Health Technology Service's in house Technicians, full training in the calibration, maintenance, service and repair of the product down to PCB Level. N.B. The quality and level of the training must be equivalent to the manufacturer's original factory training and any costs incurred to provide this training will be for the bidders account. A Certificate of Competency must be issued on completion of the training. The Training must be provided by the successful bidder to the Health Technology Services within three months from date of initial supply and delivery of the equipment to the end user.	
Clause G8	SERVICING:	
Clause G8.1	The bidder must have a well established service and repair facility in KwaZulu-Natal, to service, repair and calibrate the equipment offered. (The Health Technology Services reserves the right to inspect the premises).	
Clause G8.2	If the service is subcontracted to a local service agent, a signed copy of the letter of appointment by the bidder and acceptance by the subcontractor must be submitted with this bid / quotation. (The Health Technology Services reserves the right to inspect the premises).	
Clause G8.3	State Number of other medical equipment "Repair & Service" Agencies (excluding your Agency) represented by the subcontractor.	
Clause G8.4	Supply the Name, Address and Telephone Number/s of the Local Service Department within KwaZulu-Natal. Please supply details as follows: Company name : _____ Physical Address : _____ _____ Telephone Number/s : _____ Fax number : _____	

NO	SPECIFICATION	BIDDERS COMMENTS: STATE "COMPLIES" OR "DOES NOT COMPLY" OR ANSWER THE QUESTION.
	<i>(The Health Technology Services reserves the right to inspect the premises).</i>	
Clause G8.5	State if the Technician(s) are in the direct employ of the bidder or a subcontractor.	
Clause G8.6	The bidder must supply information on the number of Technicians permanently working in KwaZulu-Natal and their names and contact Telephone Number/s must be listed (Directly employed or subcontracted) in an annexure to the bid document.	
Clause G8.7	The Technician(s) must be original equipment manufacturer trained to deal with the service, repair and calibration of the equipment quoted on. N.B. Proof of original equipment manufacturer training must be submitted with this bid / quotation offer.	
Clause G8.8	The Institution's requirement is that a technician is available within a reasonable time (24 hours) to attend to malfunctioning equipment. The Bidder to state the technician per install base e.g. equipment ratio to technician ratio, e.g. 1 technician per 10 pieces of equipment.	
Clause G9	The bidder must Guarantee that no additional equipment will be required for the successful operation of the equipment bided for on delivery and commissioning at the customers site. A starter pack of all essential accessories and disposables must be supplied so that the unit can be put into immediate operation. The cost of the starter pack must be included in the final bid price.	
Clause G10	Optional accessories must be offered for separately on the Schedule of optional accessories found at the end of this Technical specification, indicating catalogue numbers, correct descriptions and Prices inclusive of V.A.T.	
Clause G11	Bidder must state the period of time for delivery of Spare parts following the receipt of an official order as follows: 0 to 10 days; 0 to 20 days; 0 to 30 days; 0 to 60 days; 0 to 90 days; more than 90 days.	
Clause G11.1	The Bidder must supply with this offer a list together with the quantities of spares held locally in stock in the KwaZulu-Natal Province on the offered product. The Health Technology Services reserves the right to inspect the premises to verify the spares stock held.	
Clause G12	The bidder must include a firm commitment in writing, which must be attached with this bid that they would supply spares, components, upgrades, complete original service / repair manual, technical support and ongoing training support for technical staff of the Health Technology Services and the end users Department of Health, KwaZulu-Natal throughout the life cycle of the equipment offered.	
Clause G13	Spares must be available for 10 (Ten) years from the original equipment manufacturer for the product offered.	

NO	SPECIFICATION	BIDDERS COMMENTS: STATE "COMPLIES" OR "DOES NOT COMPLY" OR ANSWER THE QUESTION.
Clause G14	The successful bidder must include in their offer at no extra cost to the final bid price:	
Clause G14.1	Complete user Operation / Maintenance Manual x 2 (two) Book / File; CD; DVD copies in English Language.	
Clause G14.2	Complete ORIGINAL Service / Repair Manual x 2 (two) Book / File; CD; DVD copies in English Language which MUST include the following information: Fault Finding Guide, Circuit Diagrams / Schematics, Circuit Descriptions, and PCB Layouts, Calibration Guide, Part Numbers and exploded diagram of Mechanical Parts / Panels.	
Clause G14.3	All the above Manuals must be properly bound in either a Book, File or CD form.	
Clause G14.4	The Bidder must supply all software (including software-keys and / or passwords) to allow for trouble shooting (faultfinding), maintenance, calibrations, repairs and services at no additional cost.	
Clause G15	Does your Company have an after hour service back up facility.	
Clause G16	If the equipment is taken away for repairs, a loan set must be made available on request to the end user by the Institution until the Institution's unit is returned. All costs incurred for providing the loan unit must be for the bidders account.	
Clause G17	Bidder must bid on the latest model and Technology that fully complies with this Technical Specification.	
Clause G17.1	The Bidder must state how long this technology has been commercially available (state when the model offered was launched).	
Clause G17.2	The bidder must state if there are any near future updates expected.	
Clause G18	The successful bidder must maintain a system for notifying and providing users with Updates, Modifications, new Software Releases and Recalls.	
Clause G19	The successful bidders must arrange for an acceptance test of the equipment with the Manager of the Health Technology Services and the Hospital Manager. A copy of the original answered Specification, copy of the invoice order and relevant paperwork (PH form) from the receiving Hospital must be submitted with the equipment when the ACCEPTANCE TEST is to be undertaken.	
Clause G20	Where equipment bided for, operates off 220 Volt, 50Hz a.c. supply, bidder must ensure that the product being quoted for is fitted with a 15 Amp approved mains plug top, which is held together by two screws.	
Clause G21	The unit must comply with an acceptable International Electrical Safety Standard such as IEC 60601-1 and 60601-1-2 for Medical Equipment where the quoted equipment operates off an electrical supply.	
Clause G22	All equipment, the installation and any alteration / additions must comply with:	
Clause G22.1	The Occupational Health and Safety Act (1993);	
Clause G22.2	The wiring code S.A.N.S. 0142.	

NO	SPECIFICATION	BIDDERS COMMENTS: STATE "COMPLIES" OR "DOES NOT COMPLY" OR ANSWER THE QUESTION.
Clause G23	Units being quoted for must be CE Certified. (Attach a copy of certification). The make and the model offered must be reflected on the certificate.	
Clause G24	The Mains Cable of the unit being quoted for must be the Hospital Grade Type and it must be a minimum length of (3) three metres. N.B. The mains cable of the unit being quoted for must be S.A.N.S. colour coded.	
Clause G25	The equipment being quoted for must be protected against Electro magnetic interference.	
Clause G26	Only new equipment must be quoted for. Refurbished and reconditioned equipment being quoted on will not be accepted.	
Clause G27	Bidders must note that dedicated test equipment, spare parts and any special tooling required for the upkeep and maintenance of the equipment quoted on must be available to the Health Technology Services to procure if requested.	
Clause G28	All the necessary calibration and maintenance software, where applicable, required to maintain and calibrate the equipment, must be supplied with the equipment to the Health Technology Services at no extra cost to the final bid price.	
Clause G29	NB. HAZARDOUS SUBSTANCE ACT:	
Clause G29.1	If this type of equipment / apparatus appears on the schedule of Hazardous Substances issued by the Directorate: Health Technology of the Department of Health, a license in terms of the Act on Hazardous Substances (Act. 15/1973) must be submitted with this bid document. The license must be registered under the bidders name or a letter of joint venture must be submitted by the license holder where the license is not in the name of the bidder. Bidders that neglect to submit a license will not be considered.	
Clause G29.2	Bidder must state the Radiation Control licence number of the make and model of equipment offered.	License No:
Clause G29.3	Where it has been established by the bidder that the equipment offered does not require Radiation Control licence, proof from the Radiation Control authority must be submitted with this bid document.	
Clause G30	The system offered must comply fully with or exceed all of the minimum specification requirements per the Technical Clauses.	
Clause G31	The offer submitted must be supported by descriptive literature, colour pamphlets, colour brochures and technical data sheets applicable to the offer (i.e. supporting information for all components of the system) must accompany the bid, failing which the bid will not be considered.	
Clause G32	The equipment and any accessories ordered from the successful bidder will be delivered, installed, tested, calibrated, demonstrated (including specified training) and commissioned in the specific Hospital at the expense of the successful Bidder, prior to full payment being made.	
Clause G33	All prices are to include V.A.T. and must be quoted in the South African currency. The price must be valid for a period of 180 days from closing date of bid.	
Clause G34	If the product offered is unknown to the Department, the Department reserves the right to have the unit evaluated by a team of Technical and	

NO	SPECIFICATION	BIDDERS COMMENTS: STATE "COMPLIES" OR "DOES NOT COMPLY" OR ANSWER THE QUESTION.
	Clinical <u>experts</u> with regards to its functionality, performance and quality. The decision of this committee will be used as a motivation for the evaluation and recommendation of the bid. For this reason a demonstration unit must be readily available, or the bidder must take arrange for demonstration with representatives of the Department for the equipment offered at a site within South Africa where a same make and model of unit is installed and is in full clinical operation. The cost of this site visit is for the account of the bidder and it must therefore not place any obligation on the Department to procure from the bidder.	
Clause G35	The Institution requesting the unit reserves the right to clinically trial and evaluate the unit in order to ensure that the unit meets the clinical requirements of the Department before adjudication of the bid.	
Clause G36	UPGRADEABILITY WHERE APPLICABLE:	
Clause G36.1	Bidders are to state the policy with regard to future software updates and the costs that will be involved.	
Clause G36.2	The Bidder to state what hardware and software will be available, with costs and projected dates.	
Clause G37	UPGRADE POLICY:	
Clause G37.1	All future upgrades (hardware and software) involving <u>patient safety</u> must be offered at no additional cost.	
Clause G37.2	All future upgrades removing software viruses from existing software must be supplied at no cost.	
Clause G37.3	Any upgrade before or after installation of the equipment involving additional cost must be brought to the attention of the Manager, Health Technology Services.	
Clause G38	The Bidder must indicate the expected life of their offered unit and software in years.	

TECHNICAL SPECIFICATION.

Clause T1

This specification calls for an aneroid Desk "free standing" type of sphygmomanometer required for carrying out non-invasive Blood Pressure measurement on patients. The unit offered must be such that when it is placed on a desk it must stand freely without requiring to be supported or fixed to the desk. The unit offered must be a precise, long life aneroid manometer which is environmentally safe with no mercury and the dial assembly must pivot for clear and easy reading from any angle.

BIDDER'S COMMENTS:

Clause T2

The unit offered must be fitted with an extra long spiral latex free inflation tube (air hose) that extend the working radius between the patient and desk to a minimum distance of at least 2 meters when required by the user.

BIDDER'S COMMENTS:

Clause T3

THE GAUGE:

- a. The gauge case must be manufactured from a durable non-corrosion material.
- b. The gauge must have a transparent easy to read face with a glass or suitable plastic cover.
- c. When not under pressure the pointer must not leave the zero mark.
- d. The motion of the pointer must be smooth and unobstructed with a change of pressure.
- e. When pressure is fully released, the pointer must return to the zero mark.
- g. The gauge must have precision movement which is certified and it must be accurate within ± 3 mmHg.
- h. The gauge must have large clear numerals which are easy to read in a measurement range from 0 to 300mmHg.
- i. The gauge must have a large dial face of at least 150mm diameter.

BIDDER'S COMMENTS:

Clause T4

DURABLE ONE PIECE INFLATION CUFF:

The cuff offered and supplied must be of a one piece bladder less construction, It must be Latex free, it must be re-usable, it must be waterproof, it must be manufactured of lightweight nylon based material and it must have anti microbial protection. **One large adult re-usable cuff and one Adult re-usable cuff must be supplied at no extra cost to the final bid price with each sphygmomanometer. The cost of these cuffs must also be quoted for on the schedule of optional accessories.**

BIDDER'S COMMENTS:

Clause T5

INFLATION BULB:

The inflation bulb must be latex free and it must be of a durable type with an integral steel non-return valve.
Plastic non-return valve will not be considered.

BIDDER'S COMMENTS:

Clause T6

PRESSURE INFLATION AND DEFLATION VALVE:

- a. The pressure inflation and deflation valve must be of a durable steel material which is chromium plated, it must be robust and provide reliable pressure inflation and deflation.
- b. The inflation and deflation valve must have a chromium plated air tap with pressure release regulation by means of a reliable and robust screw valve.

BIDDER'S COMMENTS:

Clause T7

BASKET OR HOLDER:

A storage facility for the tubing, cuff etc. must be supplied, fitted to the desk type sphygmomanometer offered.

BIDDER'S COMMENTS:

Clause T8

The bidder must quote on reusable child and infant cuffs as extra optional on the schedule of optional accessories.

BIDDER'S COMMENTS:

Clause T9

GUARANTEE / WARRANTY

The bidder must provide a minimum of 24-month warranty / guarantee period for the unit offered.

BIDDER'S COMMENTS:

Clause T13

MAINTENANCE AND SERVICE AGREEMENT

Upon termination of the guarantee / warranty period the DOH Health Technology Services Component Technicians will be responsible for the maintenance, repair and service of the unit offered.

BIDDER'S COMMENTS:

SCHEDULE OF OPTIONAL ACCESSORIES

Bidders must quote the price of the optional accessories listed as well as any other accessories that may be useful to the end users.

Cat No	Item	Price including VAT			
		Year 1	Year 2	Year 3	Total

DETAILED TECHNICAL SPECIFICATION

GENERAL INFORMATION REQUIRED

FAILURE TO COMPLETE THIS PART WILL DISQUALIFY THE BIDDER

Make: _____

Model Number / Part Number for: _____

Country of Origin _____

Delivery Period _____

R S A Import Permit Holder (License No) _____

Bidder _____

Signature _____ Date _____

Address _____

Telephone No _____ Fax No. _____

Contact Person _____
(Please Print)

2NB

'20-21

REVISED: 03/03/2017

06.

PROVINCE OF KWAZULU-NATAL

DEPARTMENT OF HEALTH

**HEALTH TECHNOLOGY SERVICES
(H.T.S)**

SPECIFICATION FOR:

UMDNS: 16488 BLOOD GLUCOSE MONITOR / METER – PORTABLE

SPECIFICATION: H.T.S. NO. E 142 (ELECTRONICS)

Intended Areas of Use:

District Hospitals
Regional Hospitals
Tertiary Hospital

Expert Advisory Group:

Anaesthesia

NO	SPECIFICATION	BIDDERS COMMENTS: STATE "COMPLIES" OR "DOES NOT COMPLY" OR ANSWER THE QUESTION.
Clause G3.10	The same guarantee conditions must apply to replacement units.	
Clause G4	The successful bidder must Supply, Deliver, Commission and install the Equipment and will be required to demonstrate the product to the Applicable Staff at the Institution and costs for the abovementioned must be included in the final bid price.	
Clause G5	Bidders must offer the Health Technology Service's In House Technicians a demonstration of the product, which will enable the Health Technology Service's In House Technicians to become acquainted with the equipment during the Test and Acceptance phase.	
Clause G6	Preference may be given to a make and model that has been technically and clinically evaluated by a Government Institution within the R.S.A. (Attach proof of evaluation where applicable).	
Clause G7	The successful bidder must provide the Health Technology Service's in house Technicians, full training in the calibration, maintenance, service and repair of the product down to PCB Level. N.B. The quality and level of the training must be equivalent to the manufacturer's original factory training and any costs incurred to provide this training will be for the bidders account. A Certificate of Competency must be issued on completion of the training. The Training must be provided by the successful bidder to the Health Technology Services within three months from date of initial supply and delivery of the equipment to the end user.	
Clause G8	SERVICING:	
Clause G8.1	The bidder must have a well established service and repair facility in KwaZulu-Natal, to service, repair and calibrate the equipment offered. (The Health Technology Services reserves the right to inspect the premises).	
Clause G8.2	If the service is subcontracted to a local service agent, a signed copy of The letter of appointment by the bidder and acceptance by the Subcontractor must be submitted with this bid / quotation. (The Health Technology Services reserves the right to inspect the premises).	
Clause G8.3	State Number of other medical equipment "Repair & Service" Agencies (excluding your Agency) represented by the subcontractor.	
Clause G8.4	<p>Supply the Name, Address and Telephone Number/s of the Local Service Department within KwaZulu-Natal.</p> <p>Please supply details as follows:</p> <p>Company name : _____</p> <p>Physical Address : _____</p> <p>_____</p> <p>Telephone Number/s : _____</p> <p>Fax number : _____</p> <p>_____</p> <p><i>(The Health Technology Services reserves the right to inspect the premises).</i></p>	

NO	SPECIFICATION	BIDDERS COMMENTS: STATE "COMPLIES" OR "DOES NOT COMPLY" OR ANSWER THE QUESTION.
Clause G14.2	Complete ORIGINAL Service / Repair Manual x 2 (two) Book / File; CD; DVD copies in English Language which MUST include the following information: Fault Finding Guide, Circuit Diagrams / Schematics, Circuit Descriptions, and PCB Layouts, Calibration Guide, Part Numbers and exploded diagram of Mechanical Parts / Panels.	
Clause G14.3	All the above Manuals must be properly bound in either a Book, File or CD form.	
Clause G14.4	The Bidder must supply all software (including software-keys and / or passwords) to allow for trouble shooting (faultfinding), maintenance, calibrations, repairs and services at no additional cost.	
Clause G15	Does your Company have an after hour service back up facility.	
Clause G16	If the equipment is taken away for repairs, a loan set must be made available on request to the end user by the Institution until the Institution's unit is returned. All costs incurred for providing the loan unit must be for the bidders account.	
Clause G17	Bidder must bid on the latest model and Technology that fully complies with this Technical Specification.	
Clause G17.1	The Bidder must state how long this technology has been commercially available (state when the model offered was launched).	
Clause G17.2	The bidder must state if there are any near future updates expected.	
Clause G18	The successful bidder must maintain a system for notifying and Providing users with Updates, Modifications, new Software Releases and Recalls.	
a. Clause G19	The successful bidders must arrange for an acceptance test of the equipment with the Manager of the Health Technology Services and the Hospital Manager. A copy of the original answered Specification, copy Of the invoice order and relevant paperwork (PH form) from the Receiving Hospital must be submitted with the equipment when the ACCEPTANCE TEST is to be undertaken.	
Clause G20	Where equipment bided for, operates off 220 Volt, 50Hz a.c. supply, bidder must ensure that the product being quoted for is fitted with a 15 Amp approved mains plug top, which is held together by two screws.	
Clause G21	The unit must comply with an acceptable International Electrical Safety Standard such as IEC 60601-1 and 60601-1-2 for Medical Equipment Where the quoted equipment operates off an electrical supply.	
Clause G22	All equipment, the installation and any alteration / additions must comply with:	
Clause G22.1	The Occupational Health and Safety Act (1993);	
Clause G22.2	The wiring code S.A.N.S. 0142.	
Clause G23	Units being quoted for must be CE Certified. (Attach a copy of certification). The make and the model offered must be reflected on the certificate.	
Clause G24	The Mains Cable of the unit being quoted for must be the Hospital Grade Type and it must be a minimum length of (3) three metres. N.B. The mains cable of the unit being quoted for must be S.A.N.S.	

SPECIFICATION: H.T.S. E 142 (ELECTRONICS)

REVISED: 03/03/2017

Page 5 of 15

NO	SPECIFICATION	BIDDERS COMMENTS: STATE "COMPLIES" OR "DOES NOT COMPLY" OR ANSWER THE QUESTION.
Clause G35	The Institution requesting the unit reserves the right to clinically trial and evaluate the unit in order to ensure that the unit meets the clinical requirements of the Department before adjudication of the bid.	
Clause G36	UPGRADEABILITY WHERE APPLICABLE:	
Clause G36.1	Bidders are to state the policy with regard to future software updates and the costs that will be involved.	
Clause G36.2	The Bidder to state what hardware and software will be available, with costs and projected dates.	
Clause G37	UPGRADE POLICY:	
Clause G37.1	All future upgrades (hardware and software) involving <u>patient safety</u> must be offered at no additional cost.	
Clause G37.2	All future upgrades removing software viruses from existing software must be supplied at no cost.	
Clause G37.3	Any upgrade before or after installation of the equipment involving additional cost must be brought to the attention of the Manager, Health Technology Services.	
Clause G38	The Bidder must indicate the expected life of their offered unit and software in years.	

Clause T2.1

In addition to the provision of the measured results, the display on the unit offered shall provide an indication of a low battery condition.

BIDDER'S COMMENTS:

Clause T3

The unit offered shall operate off commonly available batteries. The monitor / meter offered shall perform a minimum of 1000 measurements on a new set of batteries

BIDDER'S COMMENTS:

Clause T 3.1

The bidder must state the type of battery used on the unit offered and whether it is rechargeable or non-rechargeable.

BIDDER'S COMMENTS:

Clause T 3.2

In order to conserve battery power the unit offered must be able to switch itself off automatically after a preset time of non-use. The bidder must state the time duration for the automatic switch off during non-use.

BIDDER'S COMMENTS:

Clause T 3.3

Bidders must note that no previous test results in memory shall be lost when battery change is undertaken on the unit offered.

BIDDER'S COMMENTS:

Clause T7

Preference may be given to monitors / meters for which test trips are kept in stock by the Provincial Medical Supply Centre (P.M.S.C.) of the Department of Health, KwaZulu Natal.

BIDDER'S COMMENTS:

Clause T8

Preference may be given to bidders who will be in a position to call at Institutions / Health Technology Services on a regular basis to provide technical and fault / problem solving backup on site to minimize down time on the unit offered and this may also be taken in to consideration when recommending a bid offered.

BIDDER'S COMMENTS:

Clause T9

Bidders must specify whether the unit offered is a sealed unit which shall be disposed off when faulty or whether repairs could be carried out to a faulty monitor / meter.

BIDDER'S COMMENTS:

Clause T10

Bidder must provide the present cost per sample test on the unit offered.

BIDDER'S COMMENTS:

Clause T11

Bidders must ensure that the unit offered must be supplied with all the relevant essential accessories including a starter pack of at least 50 test strips, a starter pack of disposable lancets and lancet pricking device, so that the meter could be put in to immediate operation. The cost of these strips, inclusive of V.A.T., must be included in the final bid price.

BIDDER'S COMMENTS:

Clause T 17

GUARANTEE / WARRANTY

The bidder must provide a minimum of 24-month warranty / guarantee period for the unit offered.

BIDDER'S COMMENTS:

DETAILED TECHNICAL SPECIFICATION

GENERAL INFORMATION REQUIRED

FAILURE TO COMPLETE THIS PART WILL DISQUALIFY THE TENDERER

Make: _____

Model Number /Part Number for: _____

Country of Origin _____

Delivery Period _____

R S A Import Permit Holder (License No) _____

BIDDER _____

SIGNATURE _____ DATE _____

ADDRESS _____

TELEPHONE NO _____ FAX NO. _____

CONTACT PERSON
(PLEASE PRINT) _____



08.

ZNQ 1750/19-20

Reference: ZNQ
 Enquiries: M. Mazibuko
 Telephone: 033 395 4244

ADULT SUCTION ECG CHEST ELECTRODES

SECTION A – General

Clause	Clause Description	Bidders Remarks
G1	Bidders must quote on the supply and delivery of the item.	
G2	SABS/SANS proof of certification or any other relevant certification documentation must be provided with the quotation.	
G3	Please state brand name of item quoted for.	
G4	The packet /box must include the following details: 4.1 Manufacturing date 4.2 Name and contact details of the company 4.3 Manuals on how to use the item must be included.	
G5	If in-service training is to be given on how to operate the required item, the bidder must be made available at no extra cost.	
G6	Bidder must state the guarantee period of the item quoted.	_____ Months
G7	Bidder to please note that the guarantee period of this item must not be less than three months. Failure to this will cause refusal to accept delivery and the uplifting and return of the stock will be for the supplier own account.	

SECTION B – Technical Specification

Clause	Clause Description	Bidders Remarks
T1	Material- latex free	
T2	Patient size- Adult	
T3	Colour- Green, Black , Yellow, Purple, Brown and Red	
T4	Package – 6 pieces per box	
T5	Compatible with DIN 3.0mm and Banana 4 mm	

SECTION C – Confirmation

Compulsory to be completed by the bidder and returned with quotation:

I _____ from _____ do hereby
(Print Name) (Name of Business)

Acknowledge that I have read and understand the specifications as laid out above and will ensure that the quotation price submitted will address all the requirements as stipulated.

..... / /

Signature Date

ZDQ 1750/19-20 04

