



Quotation Advert

Opening Date: 2021 / 11 / 15
Closing Date: 2021 / 11 / 23
Closing Time: 11:00

INSTITUTION DETAILS

Institution Name: RK Khan Hospital
Province: KwaZulu-Natal
Department or Entity: Department of Health
Division or Section: Supply Chain Management
Place where goods / Services is required R.K KHAN HOSPITAL
Date Submitted 2021 / 11 / 15

ITEM CATEGORY AND DETAILS

Quotation Number: ZNQ: 630 / 21-22

Item Category: Services

Item Description:
TINTING OF SKYLIGHT
AT THE
PHYSIOTHERAPY
DEPARTMENT
ONLY SPECIALISING
COMPANIES TO ATTEND
THIS SITE MEETING
**Suppliers to come with
their own Mask & Hand
Sanitiser.**

Quantity (if supplies) AS PER SPEC.

COMPULSORY BRIEFING SESSION / SITE VISIT

Select Type: Briefing Session
Date : 2021 / 11 / 18
Time: 10:30 - NO LATE COMERS ALLOWED
Venue: R.K Khan Hospital – MAINTENANCE DEPT.

QUOTES CAN BE COLLECTED FROM:

Kindly take note the Quotation documents with the Specification is uploaded on the website. PRINT YOUR OWN QUOTATION DOCUMENTS. Only PAGE FIVE (5) of the quotation document that will be given at the site meeting, attach this page with the rest and submit. THE FULL QUOTATION DOCUMENTS WILL NOT BE GIVEN AT THE SITE MEETING. Only Suppliers attending the Site meeting that will QUALIFY.

QUOTES SHOULD BE DELIVERED TO:

FORMS MUST BE PRINTED ON-LINE/WEBSITE ONLY.

COMPLETE QUOTATIONS CAN BE DROPPED OFF

IN THE TENDER BOX, R K KHAN HOSPITAL.

Name:

Mrs M Khumalo

Email:

maud.khumalo@kznhealth.gov.za


Contact Number:

031 459 6300

Finance Manager Name:

MRIDMYEZA

Finance Manager Signature:



No late quotes will be considered

CC-10-



health

Department:
Health
PROVINCE OF KWAZULU-NATAL

Postal Address: Private Bag X904, Chatsworth, 4030
Physical Address: 336 R. K. Khan Circle, Croftdene,
Chatsworth, 4030
Tel: 031-4596120
Email: Ravi.chetty@kznhealth.gov.za

R.K KHAN HOSPITAL

SUPPLY CHAIN MANAGEMENT/
DEMANDS OFFICE

**RK KHAN HOSPITAL COMPULSORY DOCUMENTATIONS AND REQUIREMENTS
WHEN SUBMITTING TENDERS**

NO.	DESCRIPTION OF DOCUMENT / REQUIREMENTS	YES/NO
1	Standard quote documentation Supply Chain Management Pages 1 to 9	
2	B-BBEE Certificate	
3	SARS Tax Compliance Status	
4	Company Stamp	

**ALL SERVICE PROVIDERS KINDLY TAKE NOTE THAT NON
COMPLIANCE IN THE SUBMISSION OF COMPLUSORY
DOCUMENTATION WILL RESULT IN DISQUALIFICATION.**

THE FOLLOWING DOCUMENTATION WILL NOT BE REQUIRED WHEN QUOTING

NO.	DESCRIPTION
1	Company registration documents (CK)
2	Director ID copy
3	CSD documents
4	Quotation adverts
5	Certificates



health

Department:
Health
PROVINCE OF KWAZULU-NATAL

TINTING OF SKYLIGHTS AT THE PHYSIOTHERAPY DEPARTMENT

AT R.K. KHAN HOSPITAL

SPECIFICATION

1. SCOPE OF CONTRACT

This specification calls for the tinting of the skylight transparent panels in the Physiotherapy department.

2. DETAILED SPECIFICATION

- 2.1. The existing surface shall be cleaned and void of any dust or dirt prior to installation.
- 2.2. Special care shall be taken not to damage the enclosures.
- 2.3. Contractors will be liable for damages caused to any glass, equipment and hospital property during the process.
- 2.4. Dark Tint – Visible Light Transmitted 5% high performance sputter, charcoal reflective film for Commercial application.
- 2.5. Properties:
 - a) Cut down heat
 - b) Reduce glare.
 - c) Glare Reduction -85%
 - d) Total Solar Energy Rejected -76%
 - e) Infra-Red Rejected 86%
 - f) Ultraviolet Radiation Rejected 99%
- 2.6. The tint shall be a minimum of 50 microns in thickness and fade resistant
- 2.7. The installation must be void of any air pockets, dust or water.

Contractors are to take notice and special attention that the buildings are occupied. In this respect, contractors must liaise with the hospital's maintenance department prior to any work being undertaken.

REFER TO BILL OF QUANTITIES BELOW FOR DIMENSIONS:

3. Bill of Quantities

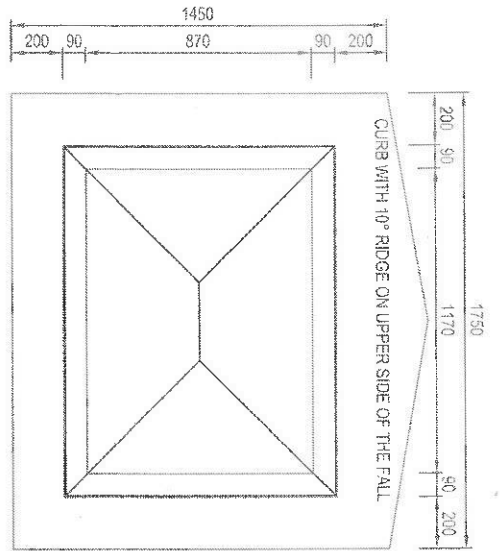
Item	WINDOW TINT DIMENSIONS	QUANTITY	Add 5% wastage	TOTAL
Skylight A	1170mm x 870mm	13	R	R
Skylight B	580mm x 870mm	4	R	R
			ADD 15% VAT	R
			SUBTOTAL	R
			GRAND TOTAL	R

All prices inclusive of labour, transport, materials and consumables.

NOTE:

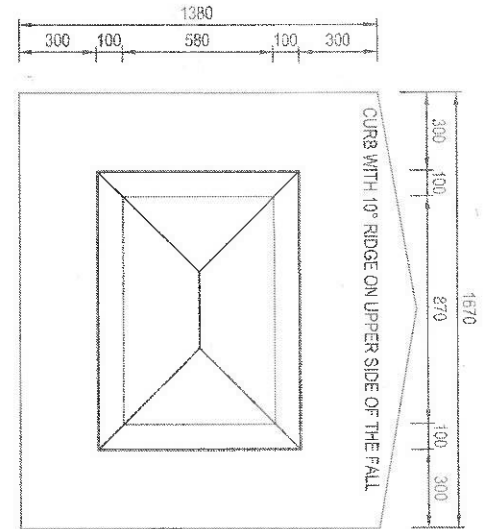
COMPULSORY: This schedule of rates and collection summary must be completed in full by the contractor and returned together with the tender form.

Failure to comply with the above will result in disqualification.



DETAIL 1 - TYPICAL SKYLIGHT
TYPE 1 PLAN

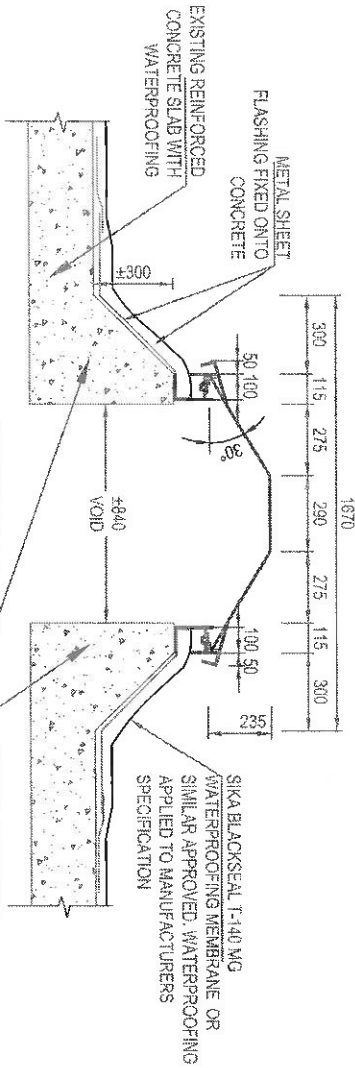
SCALE 1 : 20



DETAIL 2 - TYPICAL SKYLIGHT
TYPE 2 PLAN

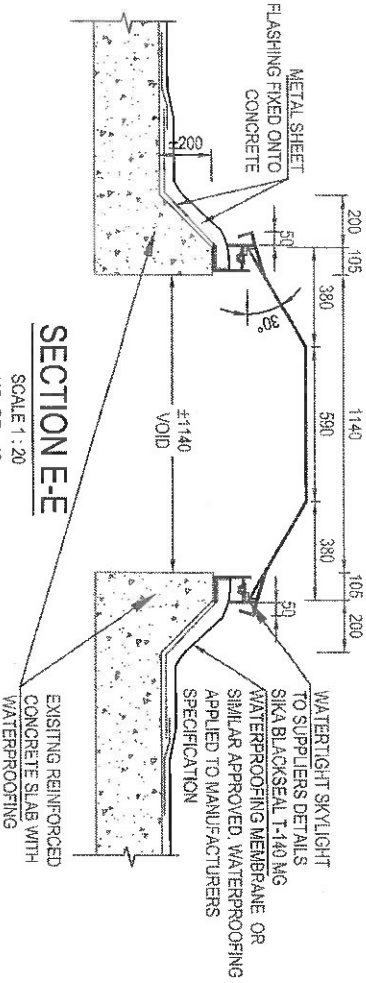
SCALE 1 : 20
NO. OF = 4

- GENERAL NOTES**
- THIS DRAWING PROVIDES INFORMATION RELATED TO THE FORM OF WORKS WHEN COMPLETED TOGETHER WITH GUIDANCE WHERE FUNDAMENTAL TO THE DESIGN. FOR THE SEQUENCE OF CONSTRUCTION, THIS DRAWING DOES NOT SUPPORT TO INCLUDE ANY NECESSARY PRECAUTIONS, ITEMS OR COMPONENTS REQUIRED FOR CONSTRUCTION SAFETY. ALL PRECAUTIONS MUST BE TAKEN AND ITEMS OR COMPONENTS SUPPLIED BY THE CONTRACTOR AS PER HEALTH AND SAFETY PLAN ON DRAWING TO BE VERIFIED BY THE SUPERVISOR PRIOR TO COMMENCEMENT OF WORK.
 - ALL DIMENSIONS ARE IN MILLIMETERS UNLESS OTHERWISE SHOWN.
 - ALL CONCRETE FINISHES SHALL BE IN ACCORDANCE WITH SABS 1200.
 - ALL DIMENSIONS ARE IN MILLIMETERS UNLESS OTHERWISE SHOWN.
 - ALL VISIBLE DAMAGED DOWNPIPES TO BE REPLACED.
 - ALL EXISTING FULLBORES TO BE CLOSED OFF USING SELF COMPACTING GROUT SUCH AS SIKACRETE 214 OR SIMILAR APPROVED.
 - LAPPING THE WATER PROOFING MATERIAL OVER THE TOP OF SKYLIGHT CURB IS PROHIBITED.
 - SKYLIGHT CURB IS TO HAVE A MIN FALL OF 1:80 WITH DIRECTION AS INDICATED ON ROOF LAYOUT.
 - THE BUILDINGS IS TO BE WATER TIGHT THROUGHOUT CONSTRUCTION PERIOD.
 - THE ROOF TO BE FLOODED TO TEST ROOF LEAKAGES IN THE RESULT OF CONTRACTORS FALL. THE CONTRACTOR IS TO FIX THE LEAKS AT HIS OWN COST.
 - THE CONTRACTOR TO DELIVER A WATER TIGHT STRUCTURE TO REMAIN OPERATIONAL THROUGHOUT CONSTRUCTION PERIOD.
 - OUTER FACE OF NEW UPSTAND TO MATCH THE EXISTING FACEBRICK IN ALL RESPECT.
 - SKYLIGHT CURB TO HAVE MIN OF 10° RIDGE AT THE UPPER SIDE OF THE FALL.



SECTION D-D

SCALE 1 : 20
NO. OF = 4



SECTION E-E

SCALE 1 : 20
NO. OF = 13

Rev. No.	DATE	DESCRIPTION	DONE BY	CHECKED
0	28/01/2019	ISSUED FOR DRG APPROVAL	NN	MZ

Revision	Description
DESIGNED	Nyongxela N
CHECKED	Zandi MS
DRAWN	Nyongxela N
CHECKED	Zandi MS



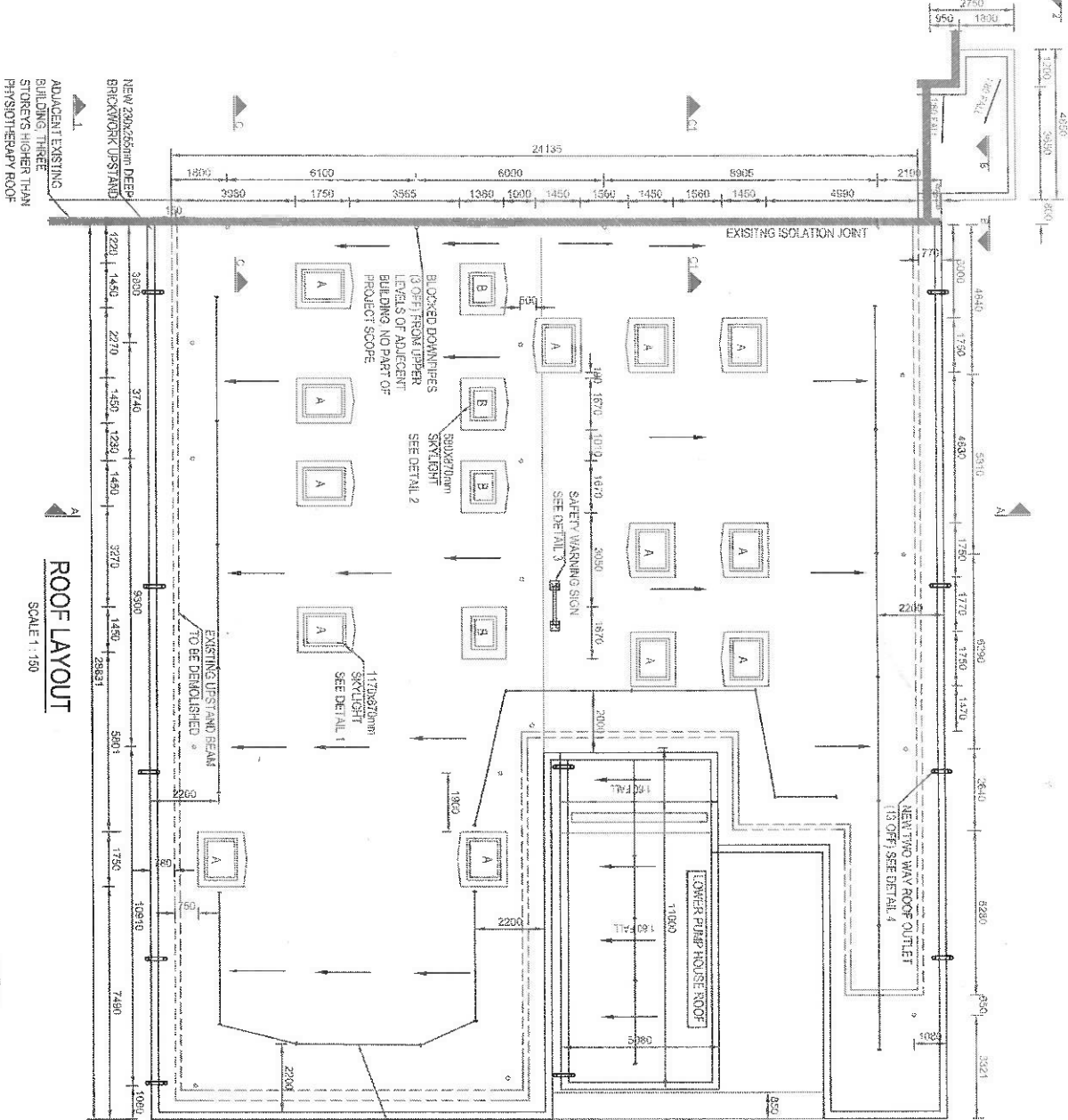
Public works
Department:
Public Works
PROVINCE OF KWAZULU-NATAL

HEAD OFFICE

Project
**RK KHAN HOSPITAL
REPAIRS AND WATERPROOFING
OF FLAT ROOF OVER
PHYSIOTHERAPY DEPARTMENT**

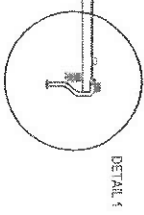
Drawing Description
FIXING DETAILS AND SECTIONS
(Sheet 1 of 2)

Sheet: A3	Rev: 0
Scale: as shown	
Drawing number: 063046 / 104	
DRPW/VIMS number: WIMS NO 063046	
Checked by: P. M. M. M. M.	

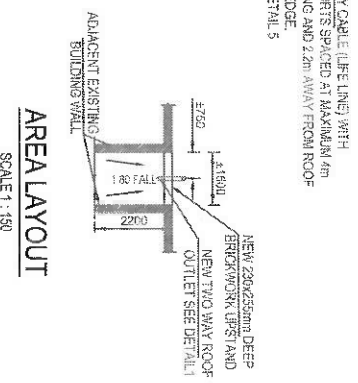


ROOF LAYOUT
SCALE 1:150

SECTION AA
SCALE 1:150



- GENERAL NOTES**
1. THIS DRAWING PROVIDES INFORMATION RELATED TO THE FORM OF WORKS WHEN COMPLETED TOGETHER WITH GUIDANCE, WHERE FUNDAMENTAL TO THE DESIGN FOR THE SEQUENCE OF CONSTRUCTION. THIS DRAWING DOES NOT SUPPORT TO INCLUDE ANY NECESSARY PRECAUTIONS, ITEMS OR COMPONENTS REQUIRED FOR CONSTRUCTION SAFETY (ALL PRECAUTIONS MUST BE TAKEN AND ITEMS OR COMPONENTS SUPPLIED BY THE CONTRACTOR AS PER HEALTH AND SAFETY PLAN)
 2. EXISTING DIMENSIONS SHOWN ON DRAWING TO BE VERIFIED BY THE CONTRACTOR PRIOR TO COMMENCEMENT OF WORK
 3. ALL DIMENSIONS ARE IN MILLIMETERS UNLESS OTHERWISE SHOWN
 4. ALL CONCRETE FINISHES TO BE TO SIKKACRETE 214 OR SIMILAR
 5. ALL VISIBLE DAMAGED DOWNPIPES TO BE REPLACED
 6. ALL EXISTING FULLEORES TO BE CLOSED OFF USING SELF-COMPACTING GROUT SUCH AS SIKKACRETE 214 OR SIMILAR APPROVED
 7. LAPPING THE WATER PROOFING MATERIAL OVER THE TOP OF SKYLIGHT CURB IS PROHIBITED
 8. SKYLIGHT CURB IS PROHIBITED
 9. SCREED TO HAVE A MIN FALL OF 1:80 WITH DIRECTION AS INDICATED ON ROOF LAYOUT
 10. THE BUILDING IS TO BE WATERTIGHT THROUGHOUT CONSTRUCTION PERIOD
 11. THE ROOF IS TO BE FLOODED TO TEST FOR LEAKAGES. IN THE RESULT OF CONTRACTORS FALLS, THE CONTRACTOR IS TO FIX THE LEAKS AT HIS OWN COST
 12. THE BUILDING TO REMAIN OPERATIONAL THROUGHOUT CONSTRUCTION PERIOD
 13. THE OUTLET FACE OF NEW UPSTAND TO MATCH THE EXISTING FACEBRICK IN ALL RESPECT
 14. SKYLIGHT CURB TO HAVE MIN OF 10° RIDGE AT THE UPPER SIDE OF THE FALL
 - 15.



AREA LAYOUT
SCALE 1:150

SKYLIGHT DIMENSIONS (mm)				
NAME	TYPE	LENGTH	WIDTH	NO. OF
A	1	1170	970	13
B	2	870	580	4

REV. NO.	DATE	DESCRIPTION	DONE BY	CHECK
0	25/01/2019	ISSUED FOR CONSTRUCTION	NW	NZ

DESIGNED	Ngongxela N
CHECKED	Zandi MS
DRAWN	Ngongxela N
CHECKED	Zandi MS


public works
Department: Public Works
PROVINCE OF KWAZULU-NATAL

HEAD OFFICE
Project: RK KHAN HOSPITAL
REPAIRS AND WATERPROOFING
OF FLAT ROOF OVER
PHYSIOTHERAPY DEPARTMENT

Drawing Description: **ROOF LAYOUT**
Sheet: **A3**
Scale: **as shown** Rev: **0**
Drawing number: **063046 / 103**
DPE VIMS number: **WIMS NO 063046**
Drawn by: **Private Approval Committee**

4. CONDITIONS OF CONTRACT

- 4.1. Contractors are advised to visit the site and take specific measurements to confirm specifications prior submitting quotes.
- 4.2. Storage of all materials will be at contractors risk.
- 4.3. Contractors must comply with the Occupational Health and Safety Act.
- 4.4. The duration of the works is to be 2 weeks from the date of the official order.
- 4.5. All works is to be guaranteed for 12 months from date of completion.
- 4.6. All materials is to be S.A.B.S. approved.
- 4.7. All works carried out is to be to the entire satisfaction of the CEO or his/her appointed representative.
- 4.8. Contractors are advised that the buildings are occupied.
- 4.9. Contractors are advised to provide professional tradesmen.
- 4.10. All redundant material are to be removed from the site as it accumulates.
- 4.11. Contractors are advised to be registered with the C.I.D.B.
- 4.12. Quotations are to be deposited at the Hospital Main Entrance, Security.

CHIEF ARTISAN 
MAINTENANCE DEPARTMENT R.K. KHAN HOSPITAL PRIVATE BAG X004 CHATSWORTH 4030
DATE: 03/11/2021

Name : _____

Company: _____

Signature: _____

COMPANY STAMP

DECLARATION OF INTEREST

1. Any legal person, including persons employed by the state¹, or persons having a kinship with persons employed by the state, including a blood relationship, may make an offer or offers in terms of this invitation to quote (includes a price quotation, advertised competitive quote, limited quote or proposal). In view of possible allegations of favouritism, should the resulting quote, or part thereof, be awarded to persons employed by the state, or to persons connected with or related to them, it is required that the bidder or his/her authorised representative declare his/her position in relation to the evaluating/adjudicating authority where-
 - the bidder is employed by the state; and/or
 - the legal person on whose behalf the bidding document is signed, has a relationship with persons/a person who are/is involved in the evaluation and or adjudication of the quote(s), or where it is known that such a relationship exists between the person or persons for or on whose behalf the declarant acts and persons who are involved with the evaluation and or adjudication of the quote.
2. In order to give effect to the above, the following questionnaire must be completed and submitted with the quote.

- | | |
|--|---|
| 2.1. Full Name of bidder/representative..... | 2.4. Company Registration Number: |
| 2.2. Identity Number: | 2.5. Tax Reference Number: |
| 2.3. Position occupied in the Company (director, trustee, shareholder ²):..... | 2.6. VAT Registration Number: |

2.7. The names of all directors / trustees / shareholders / members, their individual identity numbers, tax reference numbers and, if applicable, employee / persal numbers must be indicated in paragraph 3 below. [TICK APPLICABLE]

2.8. Are you or any person connected with the bidder presently employed by the state? YES NO

2.8.1. If so, furnish the following particulars:
 Name of person / director / trustee / shareholder/ member:
 Name of state institution at which you or the person connected to the bidder is employed:.....
 Position occupied in the state institution:Any other particulars:.....

2.8.2. If you are presently employed by the state, did you obtain the appropriate authority to undertake remunerative work outside employment in the public sector? YES NO

2.8.2.1. If yes, did you attach proof of such authority to the quote document?

(Note: Failure to submit proof of such authority, where applicable, may result in the disqualification of the quote.)

2.8.2.2. If no, furnish reasons for non-submission of such proof:

2.9. Did you or your spouse, or any of the company's directors / trustees / shareholders / members or their spouses conduct business with the state in the previous twelve months? YES NO

2.9.1. If so, furnish particulars:.....

2.10. Do you, or any person connected with the bidder, have any relationship (family, friend, other) with a person employed by the state and who may be involved with the evaluation and or adjudication of this quote? YES NO

2.10.1. If so, furnish particulars:.....

2.11. Are you, or any person connected with the bidder, aware of any relationship (family, friend, other) between any other bidder and any person employed by the state who may be involved with the evaluation and or adjudication of this quote? YES NO

2.11.1. If so, furnish particulars:.....

2.12. Do you or any of the directors / trustees / shareholders / members of the company have any interest in any other related companies whether or not they are bidding for this contract? YES NO

2.12.1. If so, furnish particulars:.....

3. Full details of directors / trustees / members / shareholders.

NB: The Department Of Health will validate details of directors / trustees / members / shareholders on CSD. It is the suppliers' responsibility to ensure that their details are up-to-date and verified on CSD. If the Department cannot validate the information on CSD, the quote will not be considered and passed over as non-compliant according to National Treasury Instruction Note 4 (a) 2016/17.

4 DECLARATION

I, THE UNDERSIGNED (NAME).....CERTIFY THAT THE INFORMATION FURNISHED IN PARAGRAPHS 2.

I ACCEPT THAT THE STATE MAY REJECT THE QUOTE OR ACT AGAINST ME SHOULD THIS DECLARATION PROVE TO BE FALSE.

.....
Name of bidder	Signature	Position	Date

¹"State" means –

- | | |
|---|---|
| a) any national or provincial department, national or provincial public entity or constitutional institution within the meaning of the Public Finance Management Act, 1999 (Act No. 1 of 1999); | c) provincial legislature; |
| b) any municipality or municipal entity; | d) national Assembly or the national Council of provinces; or |
| | e) Parliament. |

²"Shareholder" means a person who owns shares in the company and is actively involved in the management of the enterprise or business and exercises control over the enterprise.

SPECIAL CONTRACT CONDITIONS OF QUOTATIONS

1. AMENDMENT OF CONTRACT

- 1.1. Any amendment to or renunciation of the provisions of the contract shall at all times be done in writing and shall be signed by both parties.

2. CHANGE OF ADDRESS

- 2.1. Bidders must advise the Department of Health (institution where the offer was submitted) should their address (*domicilium citandi et executandi*) details change from the time of bidding to the expiry of the contract.

3. GENERAL CONDITIONS ATTACHED TO THIS QUOTATION

- 3.1. The institution is under no obligation to accept the lowest or any quote.
- 3.2. The price quoted must include VAT (if VAT vendor). However, it must be noted that the department reserves the right to evaluate all quotations excluding VAT as some bidders may not be VAT vendors.
- 3.3. The bidder must ensure the correctness & validity of quote:
- (i) *that the price(s), rate(s) & preference quoted cover all for the work/item (s) & accept that any mistakes regarding the price (s) & calculations will be at the bidder's risk*
- 3.4. The bidder must accept full responsibility for the proper execution & fulfilment of all obligations conditions devolving on under this agreement, as the Principal (s) liable for the due fulfilment of this contract.
- 3.5. This quotation will be evaluated based on the 80/20 points system, specification & correctness of information. All required documentation must be completed in full and submitted.
- 3.6. Offers must comply strictly with the specification.
- 3.7. Only offers that meet or are greater than the specification will be considered.
- 3.8. Late quotes will not be considered.
- 3.9. Expired product/s will not be accepted. All products supplied must be valid for a minimum period of six months.
- 3.10. A bidder not registered on the Central Suppliers Database or verification has failed will not be considered.
- 3.11. All delivery costs must be included in the quote price, for delivery at the prescribed destination.
- 3.12. Only firm prices will be accepted. Such prices must remain firm for the contract period. Non-firm prices (including rates of exchange variations) will not be considered.
- 3.13. In cases where different delivery points influence the pricing, a separate pricing schedule must be submitted for each delivery point.
- 3.14. In the event of a bidder having multiple quotes, only the cheapest according to specification will be considered. Furthermore a verification will be done to identify if bidders have multiple companies and are quoting (cover-quoting) for this bid. In such instances only the cheapest bid according to specification will be considered.

4. SPECIAL INSTRUCTIONS AND NOTICES TO BIDDERS REGARDING THE COMPLETION OF THIS QUOTATION.

- 4.1. Unless inconsistent with or expressly indicated otherwise by the context, the singular shall include the plural and vice versa and with words importing the masculine gender shall include the feminine and the neuter.
- 4.2. Under no circumstances whatsoever may the quotation/bid forms be retyped or redrafted. Photocopies of the original bid documentation may be used, but an original signature must appear on such photocopies.
- 4.3. The bidder is advised to check the number of pages and to satisfy himself that none are missing or duplicated.
- 4.4. Quotation submitted must be complete in all respects.
- 4.5. Any alteration made by the bidder must be initialled.
- 4.6. Use of correcting fluid is prohibited
- 4.7. Quotation will be opened in public as soon as practicable after the closing time of quotation.
- 4.8. Where practical, prices are made public at the time of opening quotations.
- 4.9. If it is desired to make more than one offer against any individual item, such offers should be given on a photocopy of the page in question. Clear indication thereof must be stated on the schedules attached.

5. SPECIAL INSTRUCTIONS REGARDING HAND DELIVERED QUOTATIONS

- 5.1. Quotation shall be lodged at the address indicated not later than the closing time specified for their receipt, and in accordance with the directives in the quotation documents.
- 5.2. Each quotation shall be addressed in accordance with the directives in the quotation documents and shall be lodged in a separate sealed envelope, with the name and address of the bidder, the quotation number and closing date indicated on the envelope. The envelope shall not contain documents relating to any quotation other than that shown on the envelope. If this provision is not complied with, such quotations/bids may be rejected as being invalid.
- 5.3. All quotations received in sealed envelopes with the relevant quotation numbers on the envelopes are kept unopened in safe custody until the closing time of the quotation/bids. Where, however, a quotation is received open, it shall be sealed. If it is received without a quotation/bid number on the envelope, it shall be opened, the quotation number ascertained, the envelope sealed and the quotation number written on the envelope.
- 5.4. A specific box is provided for the receipt of quotations, and no quotation found in any other box or elsewhere subsequent to the closing date and time of quotation will be considered.

13. PENALTIES

- 13.1. If at any time during the contract period, the service provider is unable to perform in a timely manner, the service provider must notify the institution in writing/email of the cause of and the duration of the delay. Upon receipt of the notification, the institution should evaluate the circumstances and, if deemed necessary, the institution may extend the service provider's time for performance.
- 13.2. In the event of delayed performance that extends beyond the delivery period, the institution is entitled to purchase commodities of a similar quantity and quality as a substitution for the outstanding commodities, without terminating the contract, as well as return commodities delivered at a later stage at the service provider's expense.
- 13.3. Alternatively, the institution may elect to terminate the contract and procure the necessary commodities in order to complete the contract. In the event that the contract is terminated the institution may claim damages from the service provider in the form of a penalty. The service provider's performance should be captured on the service provider database in order to determine whether or not the service provider should be awarded any contracts in the future.
- 13.4. If the supplier fails to deliver any or all of the goods or to perform the services within the period(s) specified in the contract, the purchaser shall, without prejudice to its other remedies under the contract, deduct from the contract price, as a penalty, a sum calculated on the delivered price of the delayed goods or unperformed services using the current prime interest rate calculated for each day of the delay until actual delivery or performance.

14. TERMINATION FOR DEFAULT

- 14.1. The purchaser, without prejudice to any other remedy for breach of contract, by written notice of default sent to the supplier, may terminate this contract in whole or in part:
 - (i) if the supplier fails to deliver any or all of the goods within the period(s) specified in the contract,
 - (ii) if the supplier fails to perform any other obligation(s) under the contract; or
 - (iii) if the supplier, in the judgment of the purchaser, has engaged in corrupt or fraudulent practices in competing for or in executing the contract.
- 14.2. In the event the purchaser terminates the contract in whole or in part, the purchaser may procure, upon such terms and in such manner as it deems appropriate, goods, works or services similar to those undelivered, and the supplier shall be liable to the purchaser for any excess costs for such similar goods, works or services.
- 14.3. Where the purchaser terminates the contract in whole or in part, the purchaser may decide to impose a restriction penalty on the supplier by prohibiting such supplier from doing business with the public sector for a period not exceeding 10 years.

15. FAILURE TO COMPLY WITH ABOVE WILL RESULT IN YOUR QUOTE BEING PASSED OVER.

PREFERENCE POINTS CLAIM FORM IN TERMS OF THE PREFERENTIAL PROCUREMENT REGULATIONS 2017

This preference form must form part of all quotes invited. It contains general information and serves as a claim form for preference points for Broad-Based Black Economic Empowerment (B-BBEE) Status Level of Contribution

NB: BEFORE COMPLETING THIS FORM, BIDDERS MUST STUDY THE GENERAL CONDITIONS, DEFINITIONS AND DIRECTIVES APPLICABLE IN RESPECT OF B-BBEE, AS PRESCRIBED IN THE PREFERENTIAL PROCUREMENT REGULATIONS, 2017.

1. GENERAL CONDITIONS

- 1.1 The following preference point systems are applicable to all quotes:
- the 80/20 system for requirements with a Rand value of up to R50 000 000 (all applicable taxes included); and
- 1.2 The value of this quote is estimated to not exceed R50 000 000 (all applicable taxes included) and therefore the 80/20 preference point system shall be applicable.
- 1.3 Points for this quote shall be awarded for:
- (a) Price; and
 - (b) B-BBEE Status Level of Contributor.
- 1.4 The maximum points for this quote is allocated as follows:

	POINTS
PRICE	80
B-BBEE STATUS LEVEL OF CONTRIBUTOR	20
Total points for Price and B-BBEE must not exceed	100

- 1.5 Failure on the part of a bidder to submit proof of B-BBEE Status level of contributor together with the quote, will be interpreted to mean that preference points for B-BBEE status level of contribution are not claimed.
- 1.6 The purchaser reserves the right to require of a bidder, either before a quote is adjudicated or at any time subsequently, to substantiate any claim in regard to preferences, in any manner required by the purchaser.

2. DEFINITIONS

- (a) **"B-BBEE"** means broad-based black economic empowerment as defined in section 1 of the Broad-Based Black Economic Empowerment Act;
- (b) **"B-BBEE status level of contributor"** means the B-BBEE status of an entity in terms of a code of good practice on black economic empowerment, issued in terms of section 9(1) of the Broad-Based Black Economic Empowerment Act;
- (c) **"bid"** means a written offer in a prescribed or stipulated form in response to an invitation by an organ of state for the provision of goods or services, through price quotations, advertised competitive bidding processes or proposals;
- (d) **"Broad-Based Black Economic Empowerment Act"** means the Broad-Based Black Economic Empowerment Act, 2003 (Act No. 53 of 2003);
- (e) **"EME"** means an Exempted Micro Enterprise in terms of a code of good practice on black economic empowerment issued in terms of section 9 (1) of the Broad-Based Black Economic Empowerment Act;
- (f) **"functionality"** means the ability of a tenderer to provide goods or services in accordance with specifications as set out in the tender documents.
- (g) **"prices"** includes all applicable taxes less all unconditional discounts;
- (h) **"proof of B-BBEE status level of contributor"** means:
 - 1) B-BBEE Status level certificate issued by an authorized body or person;
 - 2) A sworn affidavit as prescribed by the B-BBEE Codes of Good Practice;
 - 3) Any other requirement prescribed in terms of the B-BBEE Act;
- (i) **"QSE"** means a qualifying small business enterprise in terms of a code of good practice on black economic empowerment issued in terms of section 9 (1) of the Broad-Based Black Economic Empowerment Act;
- (j) **"rand value"** means the total estimated value of a contract in Rand, calculated at the time of bid invitation, and includes all applicable taxes;

3. POINTS AWARDED FOR PRICE

3.1 THE 80/20 PREFERENCE POINT SYSTEMS

A maximum of 80 points is allocated for price on the following basis:

$$Ps = 80 \left(1 - \frac{Pt - P \min}{P \min} \right) \text{ Where}$$

- Ps = Points scored for price of bid under consideration
- Pt = Price of bid under consideration
- Pmin = Price of lowest acceptable bid

4. POINTS AWARDED FOR B-BBEE STATUS LEVEL OF CONTRIBUTOR

4.1 In terms of Regulation 6 (2) and 7 (2) of the Preferential Procurement Regulations, preference points must be awarded to a bidder for attaining the B-BBEE status level of contribution in accordance with the table below:

B-BBEE Status Level of Contributor	Number of points (80/20 system)
1	20
2	18
3	14
4	12
5	8
6	6
7	4
8	2
Non-compliant contributor	0

5. BID DECLARATION

5.1 Bidders who claim points in respect of B-BBEE Status Level of Contribution must complete the following:

6. B-BBEE STATUS LEVEL OF CONTRIBUTOR CLAIMED IN TERMS OF PARAGRAPHS 1.4 AND 4.1

6.1 B-BBEE Status Level of Contributor: =(maximum of 20 points)

(Points claimed in respect of paragraph 7.1 must be in accordance with the table reflected in paragraph 4.1 and must be substantiated by relevant proof of B-BBEE status level of contributor.

7. SUB-CONTRACTING

(Tick applicable box)

7.1 Will any portion of the contract be sub-contracted?

YES	<input type="checkbox"/>	NO	<input type="checkbox"/>
-----	--------------------------	----	--------------------------

7.1.1 If yes, indicate:

- i) What percentage of the contract will be subcontracted.....%
- ii) The name of the sub-contractor.....
- iii) The B-BBEE status level of the sub-contractor.....

8. Whether the sub-contractor is an EME or QSE

(Tick applicable box)

iv) Specify, by ticking the appropriate box, if subcontracting with an enterprise in terms of Preferential Procurement Regulations, 2017:

YES	<input type="checkbox"/>	NO	<input type="checkbox"/>
-----	--------------------------	----	--------------------------

Designated Group: An EME or QSE which is at least 51% owned by:	EME	QSE
Black people	√	√
Black people who are youth		
Black people who are women		
Black people with disabilities		
Black people living in rural or underdeveloped areas or townships		
Cooperative owned by black people		
Black people who are military veterans		
OR		
Any EME		
Any QSE		

9. **DECLARATION WITH REGARD TO COMPANY/FIRM**

9.1 Name of company/firm:.....

9.2 VAT registration number:.....

9.3 Company registration number:.....

9.4 **TYPE OF COMPANY/ FIRM [TICK APPLICABLE BOX]**

- Partnership/Joint Venture / Consortium
- One person business/sole propriety
- Close corporation
- Company
- (Pty) Limited

9.5 **DESCRIBE PRINCIPAL BUSINESS ACTIVITIES**

.....
.....

9.6 **COMPANY CLASSIFICATION [TICK APPLICABLE BOX]**

- Manufacturer
- Supplier
- Professional service provider
- Other service providers, e.g. transporter, etc.

9.7 Total number of years the company/firm has been in business:.....

9.8 I/we, the undersigned, who is / are duly authorised to do so on behalf of the company/firm, certify that the points claimed, based on the B-BBE status level of contributor indicated in paragraphs 1.4 and 6.1 of the foregoing certificate, qualifies the company/ firm for the preference(s) shown and I / we acknowledge that:

- i) The information furnished is true and correct;
- ii) The preference points claimed are in accordance with the General Conditions as indicated in paragraph 1 of this form;
- iii) In the event of a contract being awarded as a result of points claimed as shown in paragraphs 1.4 and 6.1, the contractor may be required to furnish documentary proof to the satisfaction of the purchaser that the claims are correct;
- iv) If the B-BBEE status level of contributor has been claimed or obtained on a fraudulent basis or any of the conditions of contract have not been fulfilled, the purchaser may, in addition to any other remedy it may have –
 - (a) disqualify the person from the bidding process;
 - (b) recover costs, losses or damages it has incurred or suffered as a result of that person's conduct;
 - (c) cancel the contract and claim any damages which it has suffered as a result of having to make less favourable arrangements due to such cancellation;
 - (d) recommend that the bidder or contractor, its shareholders and directors, or only the shareholders and directors who acted on a fraudulent basis, be restricted by the National Treasury from obtaining business from any organ of state for a period not exceeding 10 years, after the *audi alteram partem* (hear the other side) rule has been applied; and
 - (e) forward the matter for criminal prosecution.

WITNESSES
1.
2.

..... SIGNATURE(S) OF BIDDERS(S)
DATE:
ADDRESS.....