

SharePoint

Darenhill Odessa ▾ ?



KWAZULU-NATAL PROVINCE  
HEALTH  
REPUBLIC OF SOUTH AFRICA

## KZN Health Intranet

KZN HEALTH

Search this site



HOME CORPORATE INFORMATION COMPONENTS DIRECTORY DISTRICT OFFICES HEALTH FACILITIES

KZN Health &gt; Components &gt; Supply Chain Management

AdvertQuote



KWAZULU-NATAL PROVINCE  
HEALTH  
REPUBLIC OF SOUTH AFRICA

### Quotation Advert

Opening Date:	2022-08-23	
Closing Date:	2022-09-06	
Closing Time:	11:00	

#### INSTITUTION DETAILS

Institution Name:	St Andrews hospital	<input checked="" type="checkbox"/>
Province:	KwaZulu-Natal	
Department or Entity:	Department of Health	
Division or section:	Central Supply Chain Management	
Place where goods / services is required	SANTOMBE CLINIC	
Date Submitted	2022-08-23	

#### ITEM CATEGORY AND DETAILS

Quotation Number:	ZNQ: SAH:151/22/23	
Item Category:	Services	<input checked="" type="checkbox"/>
Item Description:	INSTALLATION OF FOOD MECERATOR	

#### Quantity (if supplies)

#### COMPULSORY BRIEFING SESSION / SITE VISIT

Select Type:	Compulsory Site Visit	<input checked="" type="checkbox"/>
Date :	2022-08-30	
Time:	10H00	
Venue:	ST ANDREWS HOSPITAL	

QUOTES CAN BE COLLECTED FROM: WEBSITE

QUOTES SHOULD BE DELIVERED TO: DEPOSIT IN THE TENDER BOX SITUATED IN THE MAIN SECURITY GATE OR TO EMAIL:Standrews.Quotations@kznhealth.gov.za

#### ENQUIRIES REGARDING THE ADVERT MAY BE DIRECTED TO:

Name: MR N MBUTHUMA  
Email: Standrews.Quotations@kznhealth.gov.za  
Contact Number: 039 433 1955  
Finance Manager Name: MR N.I MDINGI

Finance Manager Signature:

No late quotes will be considered







## SPECIAL CONTRACT CONDITIONS OF QUOTATIONS

### 1. AMENDMENT OF CONTRACT

- 1.1. Any amendment to or renunciation of the provisions of the contract shall at all times be done in writing and shall be signed by both parties.

### 2. CHANGE OF ADDRESS

- 2.1. Bidders must advise the Department of Health (institution where the offer was submitted) should their address (*domicilium citandi et executandi*) details change from the time of bidding to the expiry of the contract.

### 3. GENERAL CONDITIONS ATTACHED TO THIS QUOTATION

- 3.1. The Department is under no obligation to accept the lowest or any quote.
- 3.2. The Department reserves the right to communicate in writing with vendors in cases where information is incomplete or where there are obscurities regarding technical aspects of the offer, to obtain confirmation of prices or preference claims in cases where it is evident that a typing, written, transfer or unit error has been made, to investigate the vendor's standing and ability to complete the supply/service satisfactorily.
- 3.3. **ALL DECISIONS TAKEN BY THE DEPARTMENT ARE FINAL, INCLUDING THE AWARD OR CANCELLATION OF THIS QUOTATION.**
- 3.4. The price quoted must include VAT (if VAT vendor).
- 3.5. Should a bidder become a VAT vendor after award or during the implementation of a contract, they may not request the VAT percentage from the Department as the service provider made an offer during the period they were not registered as a VAT vendor. The Department is only liable for any VAT from registered VAT vendors as originally stated on the quotation document.
- 3.6. The bidder must ensure the correctness & validity of the quotation:
- (i) *that the price(s), rate(s) & preference quoted cover all for the work/item (s) & accept that any mistakes regarding the price (s) & calculations will be at the bidder's risk*
- (ii) *it is the responsibility of the bidder to confirm receipt of their quotation and to keep proof thereof.*
- 3.7. The bidder must accept full responsibility for the proper execution & fulfilment of all obligations conditions devolving on under this agreement, as the Principal (s) liable for the due fulfilment of this contract.
- 3.8. This quotation will be evaluated based on the 80/20 points system, specification, correctness of information and/or functionality criteria. All required documentation must be completed in full and submitted.
- 3.9. Offers must comply strictly with the specification.
- 3.10. Only offers that meet or are greater than the specification will be considered.
- 3.11. Late offers will not be considered.
- 3.12. Expired product/s will not be accepted. All products supplied must be valid for a minimum period of six months.
- 3.13. Used/ second-hand products will not be accepted.
- 3.14. A bidder not registered on the Central Suppliers Database or whose verification has failed will not be considered.
- 3.15. All delivery costs must be included in the quoted price for delivery at the prescribed destination.
- 3.16. Only firm prices will be accepted. Such prices must remain firm for the contract period. Non-firm prices (including rates of exchange variations) will not be considered.
- 3.17. In cases where different delivery points influence the pricing, a separate pricing schedule must be submitted for each delivery point.
- 3.18. In the event of a bidder having multiple quotes, only the cheapest according to specification will be considered.
- 3.19. Verification will be conducted to identify if bidders have multiple companies and are cover-quoting for this bid.
- 3.20. In such instances, the Department reserves the right to immediately disqualify such bidders as cover-quoting is an offence that represents both corruption and acquisition fraud.

### 4. SPECIAL INSTRUCTIONS AND NOTICES TO BIDDERS REGARDING THE COMPLETION OF THIS QUOTATION.

- 4.1. Unless inconsistent with or expressly indicated otherwise by the context, the singular shall include the plural and vice versa and with words importing the masculine gender shall include the feminine and the neuter.
- 4.2. Under no circumstances whatsoever may the quotation/bid forms be retyped or redrafted. Photocopies of the original bid documentation may be used, but an original signature must appear on such photocopies.
- 4.3. The bidder is advised to check the number of pages and to satisfy himself that none are missing or duplicated.
- 4.4. Quotations submitted must be complete in all respects. However, where it is identified that information in a bidder's response, which does not affect the preference points or price, is incomplete in any respect, the said supplier meets all specification requirements and scores the highest points in terms of preference points and price, the Department reserves the right to request the bidder to complete/ submit such information.
- 4.5. Any alteration made by the bidder must be initialled; failure to do so may render the response invalid.
- 4.6. Use of correcting fluid is prohibited and may render the response invalid.
- 4.7. Quotations will be opened in public as soon as practicable after the closing time of quotation.
- 4.8. Where practical, prices are made public at the time of opening quotations.
- 4.9. If it is desired to make more than one offer against any individual item, such offers should be given on a photocopy of the page in question. Clear indication thereof must be stated on the schedules attached.

4.10. The Department is under no obligation to pay suppliers in part for work done if the supplier can no longer for fulfil their obligation.

**5. SPECIAL INSTRUCTIONS REGARDING HAND DELIVERED QUOTATIONS**

- 5.1. Quotation shall be lodged at the address indicated not later than the closing time specified for their receipt, and in accordance with the directives in the quotation documents.
- 5.2. Each quotation shall be addressed in accordance with the directives in the quotation documents and shall be lodged in a separate sealed envelope, with the name and address of the bidder, the quotation number and closing date indicated on the envelope. The envelope shall not contain documents relating to any quotation other than that shown on the envelope. If this provision is not complied with, such quotations/bids may be rejected as being invalid.
- 5.3. All quotations received in sealed envelopes with the relevant quotation numbers on the envelopes are kept unopened in safe custody until the closing time of the quotation/bids. Where, however, a quotation is received open, it shall be sealed. If it is received without a quotation/bid number on the envelope, it shall be opened, the quotation number ascertained, the envelope sealed and the quotation number written on the envelope.
- 5.4. A specific box is provided for the receipt of quotations, and no quotation found in any other box or elsewhere subsequent to the closing date and time of quotation will be considered.
- 5.5. No quotation/bid sent through the post will be considered if it is received after the closing date and time stipulated in the quotation documentation, and proof of posting will not be accepted as proof of delivery.
- 5.6. Quotation documents must not be included in packages containing samples. Such quotations may be rejected as being invalid.

**6. SAMPLES**

- 6.1. In the case of the quote document stipulating that samples are required, the supplier will be informed in due course when samples should be provided to the institution. (This decreases the time of safety and storage risk that may be incurred by the respective institution). The bidders sample will be retained if such bidder wins the contract.
  - (i) If a company/s who has not won the quote requires their samples, they must advise the institution in writing of such.
  - (ii) If samples are not collected within three months of close of quote the institution reserves the right to dispose of them at their discretion.
- 6.2. **Samples must be made available when requested in writing or if stipulated on the document.**
  - (i) If a Bidder fails to provide a sample of their product on offer for scrutiny against the set specification when requested, their offer will be rejected. All testing will be for the account of the bidder.

**7. COMPULSORY SITE INSPECTION / BRIEFING SESSION**

- 7.1. Bidders who fail to attend the compulsory meeting will be disqualified from the evaluation process.
  - (i) The institution has determined that a compulsory site meeting take place.
  - (ii) Date \_\_\_\_/\_\_\_\_/\_\_\_\_ Time \_\_\_\_:\_\_\_\_ Place \_\_\_\_\_

Institution Stamp:	Institution Site Inspection / briefing session Official  Full Name: .....  Signature: .....  Date: .....
--------------------	--

**8. STATEMENT OF SUPPLIES AND SERVICES**

- 8.1. The contractor shall, when requested to do so, furnish particulars of supplies delivered or services executed. If he/she fails to do so, the Department may, without prejudice to any other rights which it may have, institute inquiries at the expense of the contractor to obtain the required particulars.

**9. SUBMISSION AND COMPLETION OF SBD 6.1**

- 9.1. Should a bidder wish to qualify for preference points they must complete a SBD 6.1 document. Failure by a bidder to provide all relevant information required, will result in such a bidder not being considered for preference point's allocation. The preferences applicable on the closing date will be utilized. Any changes after the closing date will not be considered for that particular quote.

**10. TAX COMPLIANCE REQUIREMENTS**

- 10.1. In the event that the tax compliance status has failed on CSD, **it is the suppliers' responsibility to provide a SARS pin in order for the institution to validate the tax compliance status of the supplier.**
- 10.2. In the event that the institution cannot validate the suppliers' tax clearance on SARS as well as the Central Suppliers Database, **the quote will not be considered and passed over as non-compliant according to National Treasury Instruction Note 4 (a) 2016/17.**

## TAX INVOICE

10.3. A tax invoice shall be in the currency of the Republic of South Africa and shall contain the following particulars:

- |  |  |
|--|--|
| (i) the name, address and registration number of the supplier;                           | (iv) a description and quantity or volume of the goods or services supplied; |
| (ii) the name and address of the recipient;  | (v) the official department order number issued to the supplier;             |
| (iii) an individual serialized number and the date upon which the tax invoice is issued; | (vi) the value of the supply, the amount of tax charged;                     |
|  | (vii) the words tax invoice in a prominent place.                            |

## 11. PATENT RIGHTS

The supplier shall indemnify the **KZN Department of Health** (hereafter known as the purchaser) against all third-party claims of infringement of patent, trademark, or industrial design rights arising from use of the goods or any part thereof by the purchaser.

## 12. PENALTIES

- 12.1. If at any time during the contract period, the service provider is unable to perform in a timely manner, the service provider must notify the institution in writing/email of the cause of and the duration of the delay. Upon receipt of the notification, the institution should evaluate the circumstances and, if deemed necessary, the institution may extend the service provider's time for performance.
- 12.2. In the event of delayed performance that extends beyond the delivery period, the institution is entitled to purchase commodities of a similar quantity and quality as a substitution for the outstanding commodities, without terminating the contract, as well as return commodities delivered at a later stage at the service provider's expense.
- 12.3. Alternatively, the institution may elect to terminate the contract and procure the necessary commodities in order to complete the contract. In the event that the contract is terminated the institution may claim damages from the service provider in the form of a penalty. The service provider's performance should be captured on the service provider database in order to determine whether or not the service provider should be awarded any contracts in the future.
- 12.4. If the supplier fails to deliver any or all of the goods or to perform the services within the period(s) specified in the contract, the purchaser shall, without prejudice to its other remedies under the contract, deduct from the contract price, as a penalty, a sum calculated on the delivered price of the delayed goods or unperformed services using the current prime interest rate calculated for each day of the delay until actual delivery or performance.

## 13. TERMINATION FOR DEFAULT

- 13.1. The purchaser, without prejudice to any other remedy for breach of contract, by written notice of default sent to the supplier, may terminate this contract in whole or in part:
- (i) if the supplier fails to deliver any or all of the goods within the period(s) specified in the contract,
  - (ii) if the supplier fails to perform any other obligation(s) under the contract; or
  - (iii) if the supplier, in the judgment of the purchaser, has engaged in corrupt or fraudulent practices in competing for or in executing the contract.
- 13.2. In the event the purchaser terminates the contract in whole or in part, the purchaser may procure, upon such terms and in such manner as it deems appropriate, goods, works or services similar to those undelivered, and the supplier shall be liable to the purchaser for any excess costs for such similar goods, works or services.
- 13.3. Where the purchaser terminates the contract in whole or in part, the purchaser may decide to impose a restriction penalty on the supplier by prohibiting such supplier from doing business with the public sector for a period not exceeding 10 years.

## 14. THE DEPARTMENT RESERVES THE RIGHT TO PASS OVER ANY QUOTATION WHICH FAILS TO COMPLY WITH THE ABOVE.

**PREFERENCE POINTS CLAIM FORM IN TERMS OF THE PREFERENTIAL PROCUREMENT REGULATIONS 2017**

This preference form must form part of all quotes invited. It contains general information and serves as a claim form for preference points for Broad-Based Black Economic Empowerment (B-BBEE) Status Level of Contribution

**NB: BEFORE COMPLETING THIS FORM, BIDDERS MUST STUDY THE GENERAL CONDITIONS, DEFINITIONS AND DIRECTIVES APPLICABLE IN RESPECT OF B-BBEE, AS PRESCRIBED IN THE PREFERENTIAL PROCUREMENT REGULATIONS, 2017.**

**1. GENERAL CONDITIONS**

1.1 The following preference point systems are applicable to all quotes:

- the 80/20 system for requirements with a Rand value of up to R50 000 000 (all applicable taxes included); and

1.2 The value of this quote is estimated to not exceed R50 000 000 (all applicable taxes included) and therefore the 80/20 preference point system shall be applicable.

1.3 Points for this quote shall be awarded for:

- (a) Price; and
- (b) B-BBEE Status Level of Contributor.

1.4 The maximum points for this quote is allocated as follows:

	POINTS
PRICE	80
B-BBEE STATUS LEVEL OF CONTRIBUTOR	20
<b>Total points for Price and B-BBEE must not exceed</b>	<b>100</b>

1.5 Failure on the part of a bidder to submit proof of B-BBEE Status level of contributor together with the quote, will be interpreted to mean that preference points for B-BBEE status level of contribution are not claimed.

1.6 The purchaser reserves the right to require of a bidder, either before a quote is adjudicated or at any time subsequently, to substantiate any claim in regard to preferences, in any manner required by the purchaser.

**2. DEFINITIONS**

- (a) **"B-BBEE"** means broad-based black economic empowerment as defined in section 1 of the Broad-Based Black Economic Empowerment Act;
- (b) **"B-BBEE status level of contributor"** means the B-BBEE status of an entity in terms of a code of good practice on black economic empowerment, issued in terms of section 9(1) of the Broad-Based Black Economic Empowerment Act;
- (c) **"bid"** means a written offer in a prescribed or stipulated form in response to an invitation by an organ of state for the provision of goods or services, through price quotations, advertised competitive bidding processes or proposals;
- (d) **"Broad-Based Black Economic Empowerment Act"** means the Broad-Based Black Economic Empowerment Act, 2003 (Act No. 53 of 2003);
- (e) **"EME"** means an Exempted Micro Enterprise in terms of a code of good practice on black economic empowerment issued in terms of section 9 (1) of the Broad-Based Black Economic Empowerment Act;
- (f) **"functionality"** means the ability of a tenderer to provide goods or services in accordance with specifications as set out in the tender documents.
- (g) **"prices"** includes all applicable taxes less all unconditional discounts;
- (h) **"proof of B-BBEE status level of contributor"** means:
  - 1) B-BBEE Status level certificate issued by an authorized body or person;
  - 2) A sworn affidavit as prescribed by the B-BBEE Codes of Good Practice;
  - 3) Any other requirement prescribed in terms of the B-BBEE Act;
- (i) **"QSE"** means a qualifying small business enterprise in terms of a code of good practice on black economic empowerment issued in terms of section 9 (1) of the Broad-Based Black Economic Empowerment Act;
- (j) **"rand value"** means the total estimated value of a contract in Rand, calculated at the time of bid invitation, and includes all applicable taxes;



3. POINTS AWARDED FOR PRICE

3.1 THE 80/20 PREFERENCE POINT SYSTEMS

A maximum of 80 points is allocated for price on the following basis:

$$P_s = 80 \left( 1 - \frac{P_t - P_{\min}}{P_{\min}} \right) \text{ Where}$$

- Ps = Points scored for price of bid under consideration
- Pt = Price of bid under consideration
- Pmin = price of lowest acceptable bid

4. POINTS AWARDED FOR B-BBEE STATUS LEVEL OF CONTRIBUTOR

4.1 In terms of Regulation 6 (2) and 7 (2) of the Preferential Procurement Regulations, preference points must be awarded to a bidder for attaining the B-BBEE status level of contribution in accordance with the table below:

B-BBEE Status Level of Contributor	Number of points (80/20 system)
1	20
2	18
3	14
4	12
5	8
6	6
7	4
8	2
Non-compliant contributor	0

5. BID DECLARATION

5.1 Bidders who claim points in respect of B-BBEE Status Level of Contribution must complete the following:

6. B-BBEE STATUS LEVEL OF CONTRIBUTOR CLAIMED IN TERMS OF PARAGRAPHS 1.4 AND 4.1

6.1 B-BBEE Status Level of Contributor: = .....(maximum of 20 points)

(Points claimed in respect of paragraph 7.1 must be in accordance with the table reflected in paragraph 4.1 and must be substantiated by relevant proof of B-BBEE status level of contributor.

7. SUB-CONTRACTING applicable box

(Tick

YES		NO	
-----	--	----	--

7.1 Will any portion of the contract be sub-contracted?

7.1.1 If yes, indicate:

- i) What percentage of the contract will be subcontracted.....%
- ii) The name of the sub-contractor.....
- iii) The B-BBEE status level of the sub-contractor.....

8. Whether the sub-contractor is an EME or QSE

(Tick applicable box)

iv) Specify, by ticking the appropriate box, if subcontracting with an enterprise in terms of Preferential Procurement Regulations,2017:

YES		NO	
-----	--	----	--

Designated Group: An EME or QSE which is at last 51% owned by:	EME √	QSE √
Black people		
Black people who are youth		
Black people who are women		
Black people with disabilities		
Black people living in rural or underdeveloped areas or townships		
Cooperative owned by black people		
Black people who are military veterans		
OR		
Any EME		
Any QSE		

9. **DECLARATION WITH REGARD TO COMPANY/FIRM**

9.1 Name of company/firm:.....

9.2 VAT registration number:.....

9.3 Company registration number:.....

9.4 **TYPE OF COMPANY/ FIRM [TICK APPLICABLE BOX]**

- Partnership/Joint Venture / Consortium
- One person business/sole propriety
- Close corporation
- Company
- (Pty) Limited

9.5 **DESCRIBE PRINCIPAL BUSINESS ACTIVITIES**

.....  
.....

9.6 **COMPANY CLASSIFICATION [TICK APPLICABLE BOX]**

- Manufacturer
- Supplier
- Professional service provider
- Other service providers, e.g. transporter, etc.

9.7 Total number of years the company/firm has been in business:.....

9.8 I/we, the undersigned, who is / are duly authorised to do so on behalf of the company/firm, certify that the points claimed, based on the B-BBE status level of contributor indicated in paragraphs 1.4 and 6.1 of the foregoing certificate, qualifies the company/ firm for the preference(s) shown and I / we acknowledge that:

- i) The information furnished is true and correct;
- ii) The preference points claimed are in accordance with the General Conditions as indicated in paragraph 1 of this form;
- iii) In the event of a contract being awarded as a result of points claimed as shown in paragraphs 1.4 and 6.1, the contractor may be required to furnish documentary proof to the satisfaction of the purchaser that the claims are correct;
- iv) If the B-BBEE status level of contributor has been claimed or obtained on a fraudulent basis or any of the conditions of contract have not been fulfilled, the purchaser may, in addition to any other remedy it may have –
  - (a) disqualify the person from the bidding process;
  - (b) recover costs, losses or damages it has incurred or suffered as a result of that person's conduct;
  - (c) cancel the contract and claim any damages which it has suffered as a result of having to make less favourable arrangements due to such cancellation;
  - (d) recommend that the bidder or contractor, its shareholders and directors, or only the shareholders and directors who acted on a fraudulent basis, be restricted by the National Treasury from obtaining business from any organ of state for a period not exceeding 10 years, after the *audi alteram partem* (hear the other side) rule has been applied; and
  - (e) forward the matter for criminal prosecution.

<p>WITNESSES</p> <p>1. ....</p> <p>2. ....</p>
--

<p>..... SIGNATURE(S) OF BIDDERS(S)</p> <p>DATE: .....</p> <p>ADDRESS..... ..... .....</p>
--



Enquires:                      --- Reference: ZNQ: .....                      --- Date:      06 May 2022

**MINUTES OF SITE MEETING HELD ON: MACERATOR**

**Date:**

**Venue: St Andrews Hospital,**

**1. Matter Discussed:**

- 1.1. Signing of attendance register and site inspection briefing certificate.
- 1.2. Handing out of quotation documents.
- 1.3. Completion of quotation documents.
  - 1.3.1. SBD 4
  - 1.3.2. SBD 6.1
  - 1.3.3. Form 9
  - 1.3.4. Bill of Quantities
- 1.4. Submission of required information.
  - 1.4.1. Documents as per page 3 of the specification.
- 1.5. Site visit and deliberations on specifications and requirements.
- 1.6. Bidders are compelled to re-visit the site for one-on-one clarification of measurements and requirements. Post Site Inspection Briefing certificate to be signed on day of re-visit.
- 1.7. No part payments will be made and any stage of the project.
- 1.8. No payment will be made for incomplete or poor quality of work.
- 1.9. Material list page to be completed for all quotation documents. Failure to attach signed and completed document will render the quotation as not valid.
- 1.10. Past poor performance of contractors.
  - 1.10.1. Contractors that have performed poorly in the past will not be considered.
  - 1.10.2. Contractors that have not completed previous projects fully will not be considered.
  - 1.10.3. Contractors will be referred to National Treasury as a defaulter to be listed on the Database of Restricted Suppliers.**

I, ....., from ..... do hereby	
(Print Name)	(Name of Business)
acknowledge that I have read and understand the items discussed as laid out above and will ensure that the quotation price submitted will address all the requirements as stipulated.	
..... Signature	..... / ..... / ..... Date

STAH MACERATOR: ZNQ:.....

Bidders Signature:.....



**CERTIFICATE OF BIDDERS ATTENDANCE AT COMPULSORY  
 SITE INSPECTION BRIEFING MEETING**

**St Andrews Hospital**

QUOTATION NO.	DESCRIPTION	SITE INSPECTION DATE
ZNQ:	St Andrews Hospital, INSTALLATION OF MACERATOR	

This is to certify that I \_\_\_\_\_

A representative of (Bidder): \_\_\_\_\_

of Address: \_\_\_\_\_

\_\_\_\_\_

\_\_\_\_\_

Telephone No: \_\_\_\_\_

Telefax No.: \_\_\_\_\_

Attended the Pre-Bid Site Briefing Meeting on (date) \_\_\_\_\_

And at the following venue (mark in appropriate block):

St Andrews Hospital

**BIDDERS REPRESENTATIVE** \_\_\_\_\_

**DEPARTMENT REPRESENTATIVE** \_\_\_\_\_

**DEPARTMENTAL STAMP:**

**DOCUMENTATION TO BE SUBMITTED**

No.	Document Details	Doc. Type	Submitted	
			Yes	No
1.	Tax Clearance Certificate	Original		
2.	CIDB Registration <b>SO, EB</b>	Certified Copy of Original		
3.	Company Registration Documents (CK)	Certified Copy of Original		
4.	B-BBEE Status Verification Certificate	Certified Copy of Original		
5.	Fully Completed and Signed Quotation Document	Original		
6.	SBD 4 Document Declaration Of Interest (Fully completed and signed)	Original		
7.	Bill of Quantities (fully priced for each item as listed)	Original		
8.	Central Supplier Database (CSD)Registration			
9.	Registration with Department of Labour Letter of Good Standing.	Certified Copy of Original		
10.	Electrician, Plumbers and Carpenters Trade test certificates,	Certified Copies Original on Request		

**PLEASE NOTE: FAILURE TO SUBMIT ANY OF THE DOCUMENTS AS REQUIRED IN THE TABLE ABOVE WILL RESULT IN THE OFFER BEING REGARDED AS NON-RESPONSIVE.**

**A COVERING LETTER REFERRING TO THE DOCUMENT WHERE A SET OF THESE DOCUMENTS HAVE BEEN ATTACHED MUST BE ATTACHED TO EVERY OTHER QUOTATION DOCUMENT.**

STAH MACERATOR: ZNQ:.....

Bidders Signature:.....

**1.11 OCCUPATIONAL HEALTH AND SAFETY ACT NO. 85 OF 1993**

By the submission of a quotation, any Tenderer will, if awarded the contract to which this quotation document relates, be deemed to be a mandatory as envisaged by Section 37(2) of the Act. As a mandatory the successful Tenderer will be deemed to be an employer in his/her/their own right with duties as prescribed in the Act and accordingly will be deemed to have agreed to be solely responsible for ensuring that in connection with the project to which this quotation document relates, all work will be performed and machinery and plant used in accordance with the Act. Should the successful Tenderer, for whatever reason be unable to perform as required by the Act, the successful Tenderer undertakes to inform the Employer accordingly.

**1.12 ESCALATION**

Bidders are advised that the contract with the successful tenderer will not be subject to the Contract Price Adjustment Provisions (CPAP) or any other escalation formula, and they are therefore to allow for any increases in the costs of labor, material, transport, etc. However, any statutory increase or decrease in Value-Added Tax will be for the account of the Province.

**1.13 GUARANTEE**

The successful tenderer shall guarantee that no faulty material or workmanship was used in the execution of services. Should the guarantee not be complied with, the State may, without prejudice to any other rights it may have, demand that the services be repaired without cost to the State.

**1.14 PENALTIES**

If the contractor fails to render the service within the period stipulated in the contract, the State shall have the right, in its sole discretion either to deduct as a penalty from the value of the contract sum an amount of one-fourteenth percent thereof per calendar day for the period of delay or to claim any damages or loss suffered in lieu of such penalty: provided that where beneficial use of the completed portion is enjoyed, penalty shall be applied to the value of the outstanding portion only.

**1.15 ALTERATIONS TO QUOTATION DOCUMENTS**

Any amendment or correction in the quotation document of a quoted amount/sum/rate or other entry must be effected only by deleting the incorrect entry and writing the correct amount/sum/rate entry just above it in **INK**. Each and every amendment/correction must be initialed by the signatory to the quotation.

The use of "TIPPEX" or any other similar substances to make corrections and/or alterations ANYWHERE in the quotation is NOT permitted and any quotation altered/amended in such a manner may be declared invalid or be disregarded.

**1.16 REGISTRATION ON THE PROVINCIAL SUPPLIERS DATABASE**

1. In terms of the KwaZulu-Natal Procurement Regulations promulgated in terms of Section 47 of the KwaZulu-Natal Procurement Act, all suppliers of goods and services to the Province of KwaZulu-Natal are required to register on the Provincial Suppliers Database.

2. If you wish to apply for registration, forms may be downloaded from the website, <http://www.kzntreasury.gov.za> or obtained by phoning the toll free number 0800 201 049. This number is also available for general enquiries relating to Provincial procurement.

3. If a business is registered on the Database and it is found subsequently that false or incorrect information has been supplied, then the Province may, without prejudice to any other legal rights or remedies it may have:

- 3.1 de-register the supplier from the Database,
- 3.2 cancel a tender or a contract awarded to such supplier,

and the supplier would become liable for any damages if a less favorable quotation is accepted or less favorable arrangements are made.

4. The same principles as set out in paragraph 3 above are applicable should the supplier fail to request updating of its information on the Provincial Suppliers Database, relating to changed circumstances.



## St Andrews Hospital HEALTH AND SAFETY SPECIFICATION

---

### OCCUPATIONAL HEALTH AND SAFETY ACT 85 OF 1993

#### EXTRACT FROM THE CONSTRUCTION REGULATIONS

1. **Scope:** This specification details the health and safety requirement with the Works.
2. **Interpretations :** Construction work is defined as: any work in connection with: -
  - a) The erection, maintenance, alteration, repair, demolition or dismantling of or addition to a building or any similar structure;
  - b) The installation, erection, dismantling or maintenance of a fixed plant where such work includes the risk of a person falling; or
  - c) The moving of earth, clearing of land, the making of an excavation, piling or any similar type of work.
3. **General:** The Employer will take reasonable steps to ensure that the contractor's health and safety plan is implemented and maintained. The steps taken will include periodic audits at intervals of at least once every month.

#### Should the Contractor at any stage in the execution of the work-

- a) Fail to implement or maintain contractors' health and safety plan;
- b) Execute construction work which is not in accordance with contractors' health and safety plan; or
- c) Act in any way which may poses a threat to the health and safety of any person/s, **the Employer or employers' representative/agent will stop the Contractor from executing construction work.**

#### 4. General Requirements

- 4.1. **First Aid Equipment:** The Contractor shall provide for its employees an approved first aid box. The first aid box to be checked weekly by a responsible person, who shall be appointed by the Contractor.
- 4.2. **Reporting of incidents and /or injuries:**
  - 4.2.1. All incidents in respect of damage to Works, property or machinery or injury to persons, shall be reported by the Contractors Safety Officer or Site Representative to the Representative/agent by the quickest means possible.

**4.7. Ladders:**

4.7.1. Every ladder shall be:

- Of good construction, sound material and adequate strength and suitable to the purpose for which it is used (e.g. electricians shall use suitable insulated ladders),
- Fitted with non-skid devices at the bottom of the stiles or with hooks or similar devices at the tops of the stiles.

4.7.2. Except for extension ladders, no ladder shall be used which is longer than 4,5m and no ladder shall have its reach extended by tying together two or more ladders.

4.7.3. All ladders shall be inspected weekly and a log shall be kept of the inspections.

**4.8. Scaffold Framework:**

4.8.1. Scaffold standards shall be firmly supported and secured against displacement and shall be kept vertical.

4.8.2. No Contractor shall use, or cause to be used, any scaffold unless it is inspected by a competent person at least once a week and after inclement weather.

**4.9. Prevention of Uncontrolled Collapse:** The Contractor shall ensure that no structure or part of a structure is loaded in a manner that would render it unsafe.

**4.10. Electrical Equipment and Procedures Used by the Contractor:**

4.10.1. All electrical equipment to be inspected regularly by a qualified electrician, who shall be appointed by the Contractor and inspections to be logged.

4.10.2. The Contractor shall ensure that all his electrical equipment conforms to the operational and safety requirements.

4.10.3. All earth leakage units shall be tested at intervals of not more than one month and signed for by a qualified electrician.

**4.11. Indemnity of the Employer and his agents:** The annexure to this Contract Document contain a "Mandatory Form of Authority and Agreement in terms of Section 37 (2) of the Occupational Health and Safety Act, No, 85 of 1993 which agreement shall be entered into and duly signed by both the Employer and Contractor prior to the commencement with work. A copy of the signed agreement shall be included in the Contractors health and safety plan.

**4.12. Minimum Requirements of a Safety File**

1. Health & Safety specifications.
2. Baseline risk assessment
3. Task based Risk Assessment
4. Approved SHE plan





## **St Andrews District Hospital TECHNICAL SPECIFICATION**

---

### **1. GENERAL**

- 1.1. This TECHNICAL SPECIFICATION shall be read in conjunction with all other sections of the SPECIFICATION, including the National Building Regulations SABS 0400 of 1990 as amended and the Occupational Health and Safety Act and Regulations, 85 of 1993.
- 1.2. Cognisance shall be taken of the clauses relevant to this particular installation, whether any specific clauses are referred to or not.

### **2. SCOPE**

- 2.1. The work to be carried out under this contract includes the supply, delivery, installation, connecting, testing and leaving in good service condition to the satisfaction of the Head of Department or his or her designee, the building maintenance, renovations, repairs and minor new works to KwaZulu-Natal Health Institutions as specified by the Head of Department or his or her designee.
- 2.2. Work to be done as per drawing.
- 2.3. Material as specified below.
- 2.4. Work to be done according to Standard preambles of Trade of the Department of Health.
- 2.5. No jack hammers to be used unless cleared by Maintenance Manager.
- 2.6. If unsure please contact Maintenance Manager before commencing with the work.
- 2.7. No cutting off cables (electrical or network) if not cleared by Maintenance Manager. Contractor will be responsible if any cables are cut without permission.

### **3. REFERENCES**

- 3.1. Where references have been made to specific brand names, these are read as "OR OTHER APPROVED BY DEPARTMENT OF HEALTH, FACILITIES MANAGEMENT."

### **4. STRUCTURAL SPECIFICATION:**

- 4.1. The scope of work consists of the installation of macerator in the waste disposal room, including all electrical and plumbing.
- 4.2. Unit supply by institution "Salvajor" Waste Disposal 300-CA-MRSS Cone Dimensions: 689mm Height
- 4.3. Electrical Load: 2.25Kw/3HP, 400V 3 Phase N+E Dedicated Sewage Line - No Grease Trap
- 4.4. Install water supply closer to wall.
- 4.5. Erect safety barriers around construction site, including safety signs.
- 4.6. Supply water to food macerator using **Copper CLASS 2** and lever valve.
- 4.7. Supply and install wall plate elbow for existing tap.
- 4.8. Supply and install isolating valve on exterior of building.
- 4.9. Excavate and expose existing sewer pipes.
- 4.10. Install new 110mm PVC outlet between macerator and sewer line. System is to be vented.
- 4.11. Construct manhole at junction. Construct new manhole with size 600mmx450mm cast iron manhole covers at change of direction/junction. Manhole walls to be 230mm (9 inch) wide, hard burnt clay bricks and smooth plastered internally (As per Preambles, pages 62 to 67-no.15). Benching to be smooth and uniform.
- 4.12. Installation is to include all pipes, fittings, sundries, etc. Only SABS Approved pipes and fittings are to be used.
- 4.13. Ensure that existing sewer is functional during duration of contract.



**St Andrews District Hospital  
SCOPE OF WORK**

**1. GENERAL**

**1.1. St Andrews District Hospital: installation of macerator**

**2. SCOPE OF WORK**

- a. The work to be carried out in terms of this section of the project comprises the supply and installation of all the materials necessary, as per the Bill of Quantities and Drawings.
- b. All work must be checked and approved by the Chief Works Inspector.
- c. All workmanship will be done fully in accordance of the Occupational Health and Safety Act 85/1993, as amended.
- d. All work to be carried out as per Department of Health - Standard Preambles to all trades, **Rev 3- January 2009**.
- e. Contractors are advised to visit the site to acquaint themselves fully with the nature and full extent of the work involved. Claims on the grounds of insufficient information will not be entertained.
- f. Site to be cleared daily of building rubble and work area kept clean at all times.

**PLEASE NOTE THAT THIS CONTRACT PERIOD IS FOR FOUR (4) WEEKS.  
CONTRACTOR IS TO ENSURE THAT THEY HAVE STAFF IN PLACE TO COMPLETE  
THIS CONTRACT WITHIN THE STATED PERIOD.**

Time required for completion of this contract as specified from receipt of official order: -

Lead Time: One (1) Week  
 Site Time: Three (3) Weeks  
 Total Time: Four (4) Weeks

\_\_\_\_\_  
Signature of Contractor

\_\_\_\_\_  
Name of Contractors

\_\_\_\_\_  
Contractor Name in block letters

\_\_\_\_\_  
Date

Contractors Stamp

## BILLS OF QUANTITIES

### PRICE BILLS OF QUANTITIES

**Notes to Bidders:** All items to be priced fully inclusive of all charges, e.g. labour, scaffolding, materials, profit, Transport etc. including Value Added Tax.

ITEM	DESCRIPTION	Unit	Quantity	Rate		TOTAL											
				R	c	R	c										
	<b>ZNQ Reference No.: ZNQ:</b> <b>INSTITUTION:</b> St Andrews District Hospital: installation of macerator in the waste disposal room, including all electrical and plumbing. All rates quoted shall be inclusive of transport, labour and profit.																
	<b>PROPRIETARY ARTICLES:</b> All equipment and material used in this contract shall be that which is specified or other approved by the Department of Health.																
<b>1</b>	<b>ELECTRICAL</b>																
	<b>Supply, deliver and install the following:</b>																
1.1	Supply, deliver and install <i>New armoured Cable</i> underground: PVC SWA PVC with ECC (per metre) installed (Cu Conductors): <b>4core + earth 2.5mm<sup>2</sup> 600/1000V.</b>  Outside cables coming from down and up walls Bosal galvanised sleeve 2x two 2.5m long, DIA 32mm, 500mm into ground. Include (3X) three Steel Galvanised Saddles per sleeve above surface.  <i>New Cable termination Glands:</i> Making off cable ends for copper core, PVC SWA PVC with ECC cables, including Pratley or CCG Glands.	m	<b>37</b>														
1.2	Trenching Unit price per metre cable trench 300mm wide and 700mm deep (including backfilling and compaction) The trench is in soft rock	m	<b>5</b>														
1.3	Fill Trench with soft river sand clear of Rocks	m <sup>3</sup>	<b>0.75</b>														
1.4	Underground yellow cable Tape, Reading "Caution Electrical cable below" in Black writing,																
	<table border="0" style="width: 100%;"> <tr> <td style="width: 15%;">Tape Colour</td> <td style="width: 20%;">Text</td> <td style="width: 20%;">Roll Size /Width</td> <td style="width: 20%;">Tape Thickness</td> <td style="width: 10%;"></td> </tr> <tr> <td>Yellow</td> <td>Caution - Electric Cable Below</td> <td>365m x 150mm</td> <td>100µm + 50µm</td> <td></td> </tr> </table>	Tape Colour	Text	Roll Size /Width	Tape Thickness		Yellow	Caution - Electric Cable Below	365m x 150mm	100µm + 50µm		m	<b>5</b>				
Tape Colour	Text	Roll Size /Width	Tape Thickness														
Yellow	Caution - Electric Cable Below	365m x 150mm	100µm + 50µm														

STAH MACERATOR: ZNQ:.....

Bidders Signature:.....

1.14	Clearly label on the old GENSET Distribution board and new waster room distribution boards, e.g. circuit breaker no.12. MACERATOR DB. The outside 12-Way macerator DB, e.g. Marked FED from circuit breaker. FED from C/B12. All engraving to be done clearly and on hard plastic labels black on white writing.	Item	1				
1.15	Testing of installation new points including providing a new electrical compliance certificate. C.O.C. Certificate of Compliance to be issued for all electrical work signed off by certified Electrician doing the work. Proof of Wireman's and Electrician Qualifications to be attached. All copies to be certified. Originals to be shown on request.	Item	1				
<b>Collection Summary PS 1</b>						R	

**PRICE BILLS OF QUANTITIES**

**Notes to Bidders:** All items to be priced fully inclusive of all charges, e.g. labour, scaffolding, materials, profit, Transport etc. including Value Added Tax.

ITEM	DESCRIPTION	Unit	Quantity	Rate		TOTAL	
				R	c	R	c
2	<b>PLUMBING AND DRAINAGE</b>						
	<i>Water supply pipes in/on walls, including all couplings, openings and repair of walls to existing finish. Only compression fittings shall be used in walls. Contractor to re measure all to satisfy themselves.</i>	Note					
2.1	Supply and install ½" (Copper CLASS 2) cold water supply point for food macerator. Link to unit. Installation is to include 5m x 15mm copper pipe including all fittings and holder batts which must be positioned 1m apart.  Supply and install ½" Gate/Lever valve. Install holder batts every 1m.  Fit existing tap on wall plate elbow.  Install 15mm gate/lever valve on exterior of building.  TEST AND COMMISSION INSTALLATION	Item	sum				

**COLLECTION SUMMARY**

INSTITUTION: St Andrews District Hospital:  
ADDRESS:  
PROJECT DESCRIPTION: ZNQ:  
INSTALLATION OF MACERATOR

**NOTE:**

THIS COLLECTION SUMMARY MUST BE COMPLETED IN FULL BY THE CONTRACTOR AND RETURNED TOGETHER WITH THE QUOTATION FORM.

Collection Summary PS 1	R	
Collection Summary PS 2	R	
Collection Summary PS 3	R	
<b><u>SUB-TOTAL:</u> CARRIED TO QUOTATION FORM</b>	R	

**REFER TO STANDARD PREAMBLES BELOW**

**Materials to be used**

**1. SPECIFICATIONS:**

**a. Notes to Bidders:**

- i. All work to be priced fully inclusive of all charges: VAT, labour, plant, profit, etc...
- ii. The Department reserves the right to negotiate prices in the Bill of Quantities.
- iii. All materials used in this contract shall be that which is specified. All material must be SABS approved. Paint will only be a Plascon product. All material must be cleared by maintenance supervisor before installation.
- iv. Contractors are advised to visit site to acquaint themselves with the site and the layout of the Institution as no claims on the grounds of ignorance of the locality/siting of the Institution will be entertained later. Measurements given must be treated as a guide.
- v. Final measurements are the responsibility of the contractor and any discrepancy must be addressed with the Facility Manager prior to the submission of the quotation.
- vi. Contractors are informed that living on the Institutions premises during the contract is not allowed and arrangements for accommodation will have to be allowed for by the contractor.
- vii. Site will be kept clean at all times. Building rubble must be removed from site daily. Workshop skip will not be used for contractor's rubble.
- viii. Removal of redundant items must be done by the contractor and removal thereof must be approved by the Facility Manager.
- ix. Contractor to re measure all Building Material and Plumbing fittings, to satisfy themselves.

- xiv. When existing paint film is in good condition any flaking or bared patches are to be properly feathered into the surrounding paint and spot primed as necessary.
- xv. When existing paint films are in poor condition and require to be removed completely, they are to be removed by means of wire brushing, paint remover, burning off, or other approved method. Paint removers shall be free of wax and caustic substances and shall preferably be of water-soluble type. When burning off paint from wood, care must be taken to avoid charring the wood.
- xvi. The final state of preparatory work to existing decorated surfaces shall in all cases produce in the finished decorated surfaces a condition similar to new work.
- xvii. The Contractor will be held responsible for the proper and adequate preparation of the surfaces and any work which fails to meet the manufacturers recommendations must be made good at the Contractors expense to the satisfaction of the Department.

**STRUCTURAL SPECIFICATION AS PER STANDARD PREAMBLES TO ALL TRADES: Rev 3 January 2009**

**ABOVE GROUND WATER SUPPLIES**

**Colour Coding Cold Water Supply** the exposed piping for this non potable (recycled) water shall be colour banded Brilliant Green (B49) / Yellow Band(H10).

The other exposed piping for potable (drinkable) water shall be colour banded Brilliant Green (B49) / Blue Band(F29)

**Galvanized mild steel piping for water supplies** shall be medium quality screwed and socketed normalised welded mild steel pipe, galvanized inside and outside, and shall comply with SANS Specification 62.

Fittings to galvanized mild steel piping shall be steel pipe fittings complying with SANS Specification 62 or malleable cast iron fittings complying with SANS Specification 509.

**Copper piping** shall be of approved manufacture, complying with SANS Specification 460 and shall be of Class 2 – fixed and jointed in accordance with the manufacturer’s instructions. Class 2 copper piping must be jointed with brass compression fittings with compression rings and coupling nuts complying with SANS Specification 1067 part I Type ‘A’.

**Polypropylene / Multilayered Piping** shall be of approved manufacture, complying with SANS Specification 1315, laid and jointed in accordance with the manufacturer’s instructions. This applies to hot and cold water supply within ceiling spaces also.

**Stainless steel piping** shall be of approved manufacture, complying with SANS Specification 4127 and shall be A.I.S.I. Type 304 L. Fittings to stainless steel piping not exceeding 50mm nominal bore shall be brass compression fittings with compression rings and coupling nuts.

Piping exceeding 50mm nominal bore shall be welded piping with 1.5mm wall thickness, unless otherwise stated, and of A.I.S.I. Type 316 stainless steel. Joints are to comprise approved A.I.S.I. Type 316 stainless steel pressed collars welded to ends of pipes and fittings with loose galvanized mild steel slip-on flanges complete with galvanized mild steel bolts, nuts and washers, and neoprene gaskets. Fittings must be A.I.S.I. Type 316 stainless steel butt weld fittings.

Phosphoric acid based fluxes must be used for all welded joints which are to be argon arc TIG welded using Type 316 filler rods, with the welds treated with suitable pickling compound.

STAH MACERATOR: ZNQ:.....

Bidders Signature:.....

**BRICKWORK:** —unless otherwise described is to be in burnt clay common bricks and wherever practicable is to be in stretcher bond with the skins tied together with and including galvanized crimped wire wall ties in accordance with SANS Specification 28. The wire ties are to be of sufficient length to allow each end to be built into brickwork built into every fourth course and spaced at 450mm staggered centres (seven ties per square metre). The bricks are to be well wetted before being laid and the course of bricks laid last is to be well wetted before bedding the next course of bricks upon it. The brickwork is to have all perpend flushed up solid and each course is to be laid on a solid bed of mortar. No false headers are to be used. Whole bricks are to be used except where bats or closers are legitimately required to form bond.

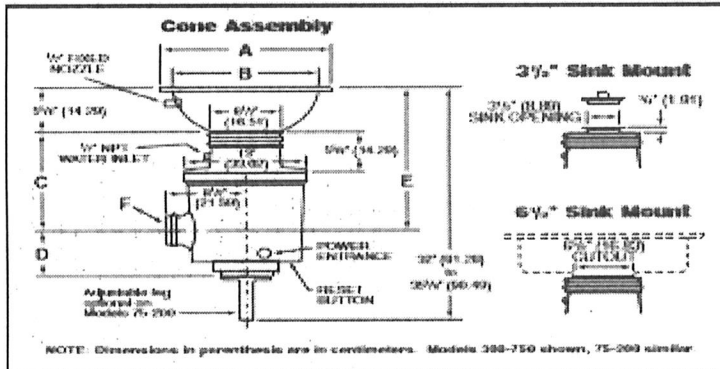
Unless otherwise described one brick walls are taken at a nominal thickness of 230mm. The joints of all walls to be plastered are to be raked out as the work proceeds to form key for plaster. All walls are to be carried up regularly so that no part is built more than 1,2m higher than the adjoining walls.

Mortar joints generally are not to exceed 10mm thickness unless otherwise indicated on the drawings. If a specific brick scale is indicated on the drawings, either drawn or written, it must be adhered to.

Solid bricks to X-Ray Room walls are to be used. If hollow core bricks are used, these are to be grouted up solid.

# Salvajor Food Waste Disposers

DETAILS AND DIMENSIONS



NOTE: Dimensions in parenthesis are in centimeters. Models 300-750 shown, 75-200 similar

	12" Cone	15" Cone	18" Cone
A	14.78" (37.70)	17.70" (45.40)	20.70" (53.02)
B	12" (30.48)	15" (38.10)	18" (45.72)

	Models 75-200	Models 300-750
C	8.10" (21.00)	13.10" (33.00)
D	7.50" (19.05)	6.50" (16.51)
E	14.10" (35.81)	19.70" (50.03)
F	2" Drain	2" or 3" Drain

(Specifications subject to change without notice)  
Current specification details may be found online at [www.salvajor.com](http://www.salvajor.com)

Disposer Models: 75, 100, 150, 200, 300, 300-750 All Controls	Disposer Models: 75, 100, 150, 200, 300, 300-750 All Controls	Disposer Models: 75, 100, 200, 300, 300-750 All Controls

SAMPLE SPECIFICATION			
500-CA-18	1	ANSI-LD	(208/200/3)
Model	Cone Size	Disposer Control	Electrical Specs.
Assembly			

◆ SPEEDY EXACT OPERATING SEQUENCE ◆

## FULL LOAD AMPS

Model 75 (1/4 HP)		
115 Volts	1 Phase	17.3 Amps
208 Volts	1 Phase	9.3 Amps
230 Volts	1 Phase	8.8 Amps
208 Volts	3 Phase	4.2 Amps
230 Volts	3 Phase	4.0 Amps
460 Volts	3 Phase	2.1 Amps

Model 100 (1 HP)		
115 Volts	1 Phase	18.6 Amps
208 Volts	1 Phase	10.7 Amps
230 Volts	1 Phase	9.3 Amps
208 Volts	3 Phase	4.9 Amps
230 Volts	3 Phase	4.5 Amps
460 Volts	3 Phase	2.3 Amps

Model 150 (1 1/2 HP)		
115 Volts	1 Phase	22.9 Amps
208 Volts	1 Phase	11.3 Amps
230 Volts	1 Phase	11.5 Amps
208 Volts	3 Phase	5.7 Amps
230 Volts	3 Phase	5.6 Amps
460 Volts	3 Phase	2.8 Amps

Model 200 (2 HP)		
115 Volts	1 Phase	24.9 Amps
208 Volts	1 Phase	12.1 Amps
230 Volts	1 Phase	12.3 Amps
208 Volts	3 Phase	6.3 Amps
230 Volts	3 Phase	6.0 Amps
460 Volts	3 Phase	3.0 Amps

Model 300 (3 HP)		
208 Volts	3 Phase	8.3 Amps
230 Volts	3 Phase	8.0 Amps
460 Volts	3 Phase	4.0 Amps

Model 500 (5 HP)		
208 Volts	3 Phase	13.3 Amps
230 Volts	3 Phase	12.5 Amps
460 Volts	3 Phase	6.3 Amps

Model 750 (7 1/2 HP)		
208 Volts	3 Phase	19.3 Amps
230 Volts	3 Phase	18.0 Amps
460 Volts	3 Phase	9.0 Amps



**The Salvajor Company** 4530 East 75th Terrace Kansas City, Missouri 64132-2081, USA  
 1-800-SALVAJOR (816) 363-1030 FAX: 1-800-832-9373  
 www.salvajor.com Email: sales@salvajor.com service@salvajor.com  
 Manufacturers of Commercial Food Waste Disposing Systems since 1944

Printed in USA  
Form No. 022P-3/01