



## Quotation Advert

**Opening Date:** 28/07/2023

**Closing Date:** 04/08/2023

**Closing Time:** 11:00

### INSTITUTION DETAILS

**Institution Name:** Ladysmith Hospital

**Province:** KwaZulu-Natal

**Department of entity:** Department of Health

**Division or section:** Supply Chain Management

**Place where goods/  
service is required:** Ladysmith regional Hospital

**Date Submitted:** 27/07/2023

### ITEM CATEGORY AND DETAILS

**Quotation number:** LSH: 541/23/24

**Item Category:** Goods

**Item Description:** renovate ablutions for Ladysmith Hospital CIDB: 1SO and 1GB

**Quantity (if supplies):** refer to BOQ

### COMPULSORY BRIEFING SESSION / SITE VISIT

**Select Type:** Complusory Briefing

**Date:** 02/08/2023

**Time:** 11am

**Venue:** Maintenance

**QUOTES CAN BE COLLECTED FROM:** Downloadable from KZN HEALTH WEBSITE

**QUOTES SHOULD BE DELIVERED TO:** DEPOSIT IN THE TENDER BOX SITUATED IN THE MAIN GATE SECURITY GUARD HOUSE OR EMAIL: [ladysmith.quotation@kznhealth.gov.za](mailto:ladysmith.quotation@kznhealth.gov.za)


### ENQUIRIES REGARDING ADVERT MAY BE DIRECTED TO:

**Name:** Miss T.Shabane

**Email:** [thabisile.shabane@kznhealth.gov.za](mailto:thabisile.shabane@kznhealth.gov.za)

**Contact number:** 036 638 0135

**Finance Manager Name:** XL Ntsh

**Finance Manage signature:** 







GENERAL CONDITIONS OF CONTRACT

NOTES

The purpose of this document is to:

- (i) Draw special attention to certain general conditions applicable to government bids, contracts and orders; and
- (ii) To ensure that clients be familiar with regard to the rights and obligations of all parties involved in doing business with government.

In this document words in the singular also mean in the plural and vice versa and words in the masculine also mean in the feminine and neuter.

- The General Conditions of Contract will form part of all bid/quotation documents and may not be amended.
- Special Conditions of Contract (SCC) relevant to a specific bid, should be compiled separately for every bid (if applicable) and will supplement the General Conditions of Contract. Whenever there is a conflict, the provisions in the SCC shall prevail.

**1 Definitions**

The following terms shall be interpreted as indicated:

- 1.1. "Closing time" means the date and hour specified in the bidding documents for the receipt of bids.
- 1.2. "Contract" means the written agreement entered into between the purchaser and the supplier, as recorded in the contract form signed by the parties, including all attachments and appendices thereto and all documents incorporated by reference therein.
- 1.3. "Contract price" means the price payable to the supplier under the contract for the full and proper performance of his contractual obligations.
- 1.4. "Corrupt practice" means the offering, giving, receiving, or soliciting of any thing of value to influence the action of a public official in the procurement process or in contract execution.
- 1.5. "Countervailing duties" are imposed in cases where an enterprise abroad is subsidized by its government and encouraged to market its products internationally.
- 1.6. "Country of origin" means the place where the goods were mined, grown or produced or from which the services are supplied. Goods are produced when, through manufacturing, processing or substantial and major assembly of components, a commercially recognized new product results that is substantially different in basic characteristics or in purpose or utility from its components.
- 1.7. "Day" means calendar day.
- 1.8. "Delivery" means delivery in compliance of the conditions of the contract or order.
- 1.9. "Delivery ex stock" means immediate delivery directly from stock actually on hand.
- 1.10. "Delivery into consignee store or to his site" means delivered and unloaded in the specified store or depot or on the specified site in compliance with the conditions of the contract or order, the supplier bearing all risks and charges involved until the supplies are so delivered and a valid receipt is obtained.
- 1.11. "Dumping" occurs when a private enterprise abroad market its goods on own initiative in the RSA at lower prices than that of the country of origin and which have the potential to harm the local industries in the RSA
- 1.12. "Force majeure" means an event beyond the control of the supplier and not involving the supplier's fault or negligence and not foreseeable. Such events may include, but is not restricted to, acts of the purchaser in its sovereign capacity, wars or revolutions, fires, floods, epidemics, quarantine restrictions and freight embargoes.
- 1.13. "Fraudulent practice" means a misrepresentation of facts in order to influence a procurement process or the execution of a contract to the detriment of any bidder, and includes collusive practice among bidders (prior to or after bid submission) designed to establish bid prices at artificial non-competitive levels and to deprive the bidder of the benefits of free and open competition.
- 1.14. "GCC" means the General Conditions of Contract.
- 1.15. "Goods" means all of the equipment, machinery, and/or other materials that the supplier is required to supply to the purchaser under the contract.
- 1.16. "Imported content" means that portion of the bidding price represented by the cost of components, parts or materials which have been or are still to be imported (whether by the supplier or his subcontractors) and which costs are inclusive of the costs abroad, plus freight and other direct importation costs such as landing costs, dock dues, import duty, sales duty or other similar tax or duty at the South African place of entry as well as transportation and handling charges to the factory in the Republic where the supplies covered by the bid will be manufactured.
- 1.17. "Local content" means that portion of the bidding price which is not included in the imported content provided that local manufacture does take place.
- 1.18. "Manufacture" means the production of products in a factory using labour, materials, components and machinery and includes other related value-adding activities.
- 1.19. "Order" means an official written order issued for the supply of goods or works or the rendering of a service.
- 1.20. "Project site," where applicable, means the place indicated in bidding documents.
- 1.21. "Purchaser" means the organization purchasing the goods.
- 1.22. "Republic" means the Republic of South Africa.
- 1.23. "SCC" means the Special Conditions of Contract.
- 1.24. "Services" means those functional services ancillary to the supply of the goods, such as transportation and any other incidental services, such as installation, commissioning, provision of technical assistance, training, catering, gardening, security, maintenance and other such obligations of the supplier covered under the contract.
- 1.25. "Written" or "in writing" means handwritten in ink or any form of electronic or mechanical writing.

**2 Application**

- 2.1. These general conditions are applicable to all bids, contracts and orders including bids for functional and professional services, sales, hiring, letting and the granting or acquiring of rights, but excluding immovable property, unless otherwise indicated in the bidding documents.
- 2.2. Where applicable, special conditions of contract are also laid down to cover specific supplies, services or works.
- 2.3. Where such special conditions of contract are in conflict with these general conditions, the special conditions shall apply.

**3 General**

- 3.1. Unless otherwise indicated in the bidding documents, the purchaser shall not be liable for any expense incurred in the preparation and submission of a bid. Where applicable a non-refundable fee for documents may be charged.
- 3.2. With certain exceptions, invitations to bid are only published in the Government Tender Bulletin. The Government Tender Bulletin may be obtained directly from the Government Printer, Private Bag X85, Pretoria 0001, or accessed electronically from [www.treasury.gov.za](http://www.treasury.gov.za)



**4 Standards**

- 4.1. The goods supplied shall conform to the standards mentioned in the bidding documents and specifications.

**5 Use of contract documents and information; inspection.**

- 5.1. The supplier shall not, without the purchaser's prior written consent, disclose the contract, or any provision thereof, or any specification, plan, drawing, pattern, sample, or information furnished by or on behalf of the purchaser in connection therewith, to any person other than a person employed by the supplier in the performance of the contract. Disclosure to any such employed person shall be made in confidence and shall extend only so far as may be necessary for purposes of such performance.
- 5.2. The supplier shall not, without the purchaser's prior written consent, make use of any document or information mentioned in GCC clause 5.1 except for purposes of performing the contract.
- 5.3. Any document, other than the contract itself mentioned in GCC clause 5.1 shall remain the property of the purchaser and shall be returned (all copies) to the purchaser on completion of the supplier's performance under the contract if so required by the purchaser.
- 5.4. The supplier shall permit the purchaser to inspect the supplier's records relating to the performance of the supplier and to have them audited by auditors appointed by the purchaser, if so required by the purchaser.

**6 Patent rights**

- 6.1. The supplier shall indemnify the purchaser against all third-party claims of infringement of patent, trademark, or industrial design rights arising from use of the goods or any part thereof by the purchaser.

**7 Performance security**

- 7.1. Within thirty (30) days of receipt of the notification of contract award, the successful bidder shall furnish to the purchaser the performance security of the amount specified in SCC.
- 7.2. The proceeds of the performance security shall be payable to the purchaser as compensation for any loss resulting from the supplier's failure to complete his obligations under the contract.
- 7.3. The performance security shall be denominated in the currency of the contract, or in a freely convertible currency acceptable to the purchaser and shall be in one of the following forms:
- (a) a bank guarantee or an irrevocable letter of credit issued by a reputable bank located in the purchaser's country or abroad, acceptable to the purchaser, in the form provided in the bidding documents or another form acceptable to the purchaser; or
  - (b) a cashier's or certified cheque
- 7.4. The performance security will be discharged by the purchaser and returned to the supplier not later than thirty (30) days following the date of completion of the supplier's performance obligations under the contract, including any warranty obligations, unless otherwise specified in SCC.

**8 Inspections, tests and analyses**

- 8.1. All pre-bidding testing will be for the account of the bidder.
- 8.2. If it is a bid condition that supplies to be produced or services to be rendered should at any stage during production or execution or on completion be subject to inspection, the premises of the bidder or contractor shall be open, at all reasonable hours, for inspection by a representative of the Department or an organization acting on behalf of the Department.
- 8.3. If there are no inspection requirements indicated in the bidding documents and no mention is made in the contract, but during the contract period it is decided that inspections shall be carried out, the purchaser shall itself make the necessary arrangements, including payment arrangements with the testing authority concerned.
- 8.4. If the inspections, tests and analyses referred to in clauses 8.2 and 8.3 show the supplies to be in accordance with the contract requirements, the cost of the inspections, tests and analyses shall be defrayed by the purchaser.
- 8.5. Where the supplies or services referred to in clauses 8.2 and 8.3 do not comply with the contract requirements, irrespective of whether such supplies or services are accepted or not, the cost in connection with these inspections, tests or analyses shall be defrayed by the supplier.
- 8.6. Supplies and services which are referred to in clauses 8.2 and 8.3 and which do not comply with the contract requirements may be rejected.
- 8.7. Any contract supplies may on or after delivery be inspected, tested or analyzed and may be rejected if found not to comply with the requirements of the contract. Such rejected supplies shall be held at the cost and risk of the supplier who shall, when called upon, remove them immediately at his own cost and forthwith substitute them with supplies which do comply with the requirements of the contract. Failing such removal the rejected supplies shall be returned at the suppliers cost and risk. Should the supplier fail to provide the substitute supplies forthwith, the purchaser may, without giving the supplier further opportunity to substitute the rejected supplies, purchase such supplies as may be necessary at the expense of the supplier.
- 8.8. The provisions of clauses 8.4 to 8.7 shall not prejudice the right of the purchaser to cancel the contract on account of a breach of the conditions thereof, or to act in terms of Clause 23 of GCC.

**9 Packing**

- 9.1. The supplier shall provide such packing of the goods as is required to prevent their damage or deterioration during transit to their final destination, as indicated in the contract. The packing shall be sufficient to withstand, without limitation, rough handling during transit and exposure to extreme temperatures, salt and precipitation during transit, and open storage. Packing, case size and weights shall take into consideration, where appropriate, the remoteness of the goods' final destination and the absence of heavy handling facilities at all points in transit.
- 9.2. The packing, marking, and documentation within and outside the packages shall comply strictly with such special requirements as shall be expressly provided for in the contract, including additional requirements, if any, specified in SCC, and in any subsequent instructions ordered by the purchaser.

**10 Delivery and documents**

- 10.1. Delivery of the goods shall be made by the supplier in accordance with the terms specified in the contract. The details of shipping and/or other documents to be furnished by the supplier are specified in SCC.
- 10.2. Documents to be submitted by the supplier are specified in SCC.

**11 Insurance**

- 11.1. The goods supplied under the contract shall be fully insured in a freely convertible currency against loss or damage incidental to manufacture or acquisition, transportation, storage and delivery in the manner specified in the SCC.



**12 Transportation**

12.1. Should a price other than an all-inclusive delivered price be required, this shall be specified in the SCC.

**13 Incidental services**

- 13.1. The supplier may be required to provide any or all of the following services, including additional services, if any, specified in SCC:
- (a) performance or supervision of on-site assembly and/or commissioning of the supplied goods;
  - (b) furnishing of tools required for assembly and/or maintenance of the supplied goods;
  - (c) furnishing of a detailed operations and maintenance manual for each appropriate unit of the supplied goods;
  - (d) performance or supervision or maintenance and/or repair of the supplied goods, for a period of time agreed by the parties, provided that this service shall not relieve the supplier of any warranty obligations under this contract; and
  - (e) training of the purchaser's personnel, at the supplier's plant and/or on-site, in assembly, start-up, operation, maintenance, and/or repair of the
- 13.2. Prices charged by the supplier for incidental services, if not included in the contract price for the goods, shall be agreed upon in advance by the parties and shall not exceed the prevailing rates charged to other parties by the supplier for similar services.

**14 Spare parts**

- As specified in SCC, the supplier may be required to provide any or all of the following materials, notifications, and information pertaining to spare parts manufactured or distributed by the supplier:
- 14.1.
- (a) such spare parts as the purchaser may elect to purchase from the supplier, provided that this election shall not relieve the supplier of any warranty obligations under the contract; and
  - (b) in the event of termination of production of the spare parts:
    - (i) Advance notification to the purchaser of the pending termination, in sufficient time to permit the purchaser to procure needed requirements; and
    - (ii) following such termination, furnishing at no cost to the purchaser, the blueprints, drawings, and specifications of the spare parts, if requested.

**15 Warranty**

- 15.1. The supplier warrants that the goods supplied under the contract are new, unused, of the most recent or current models, and that they incorporate all recent improvements in design and materials unless provided otherwise in the contract. The supplier further warrants that all goods supplied under this contract shall have no defect, arising from design, materials, or workmanship (except when the design and/or material is required by the purchaser's specifications) or from any act or omission of the supplier, that may develop under normal use of the supplied goods in the conditions prevailing in the country of final destination.
- 15.2. This warranty shall remain valid for twelve (12) months after the goods, or any portion thereof as the case may be, have been delivered to and accepted at the final destination indicated in the contract, or for eighteen (18) months after the date of shipment from the port or place of loading in the source country, whichever period concludes earlier, unless specified otherwise in SCC.
- 15.3. The purchaser shall promptly notify the supplier in writing of any claims arising under this warranty.
- 15.4. Upon receipt of such notice, the supplier shall, within the period specified in SCC and with all reasonable speed, repair or replace the defective goods or parts thereof, without costs to the purchaser.
- 15.5. If the supplier, having been notified, fails to remedy the defect(s) within the period specified in SCC, the purchaser may proceed to take such remedial action as may be necessary, at the supplier's risk and expense and without prejudice to any other rights which the purchaser may have against the supplier under the contract.

**16 Payment**

- 16.1. The method and conditions of payment to be made to the supplier under this contract shall be specified in SCC.
- 16.2. The supplier shall furnish the purchaser with an invoice accompanied by a copy of the delivery note and upon fulfillment of other obligations stipulated in the contract.
- 16.3. Payments shall be made promptly by the purchaser, but in no case later than thirty (30) days after submission of an invoice or claim by the supplier.
- 16.4. Payment will be made in Rand unless otherwise stipulated in SCC.

**17 Prices**

- 17.1. Prices charged by the supplier for goods delivered and services performed under the contract shall not vary from the prices quoted by the supplier in his bid, with the exception of any price adjustments authorized in SCC or in the purchaser's request for bid validity extension, as the case may be.

**18 Contract amendments**

- 18.1. No variation in or modification of the terms of the contract shall be made except by written amendment signed by the parties concerned.

**19 Assignment**

- 19.1. The supplier shall not assign, in whole or in part, its obligations to perform under the contract, except with the purchaser's prior written consent.

**20 Subcontracts**

- 20.1. The supplier shall notify the purchaser in writing of all subcontracts awarded under this contract if not already specified in the bid. Such notification, in the original bid or later, shall not relieve the supplier from any liability or obligation under the contract.

**21 Delays in the supplier's performance**

- 21.1. Delivery of the goods and performance of services shall be made by the supplier in accordance with the time schedule prescribed by the purchaser in the contract.
- 21.2. If at any time during performance of the contract, the supplier or its subcontractor(s) should encounter conditions impeding timely delivery of the goods and performance of services, the supplier shall promptly notify the purchaser in writing of the fact of the delay, its likely duration and its cause(s). As soon as practicable after receipt of the supplier's notice, the purchaser shall evaluate the situation and may at his discretion extend the supplier's time for performance, with or without the imposition of penalties, in which case the extension shall be ratified by the parties by amendment of contract.
- 21.3. No provision in a contract shall be deemed to prohibit the obtaining of supplies or services from a national department, provincial department, or a local authority.
- 21.4. The right is reserved to procure outside of the contract small quantities or to have minor essential services executed if an emergency arises, the supplier's point of supply is not situated at or near the place where the supplies are required, or the supplier's services are not readily available.



- 21.5. Except as provided under GCC Clause 25, a delay by the supplier in the performance of its delivery obligations shall render the supplier liable to the imposition of penalties, pursuant to GCC Clause 22, unless an extension of time is agreed upon pursuant to GCC Clause 21.2 without the application of penalties.
- 21.6. Upon any delay beyond the delivery period in the case of a supplies contract, the purchaser shall, without canceling the contract, be entitled to purchase supplies of a similar quality and up to the same quantity in substitution of the goods not supplied in conformity with the contract and to return any goods delivered later at the supplier's expense and risk, or to cancel the contract and buy such goods as may be required to complete the contract and without prejudice to his other rights, be entitled to claim damages from the supplier.
- 22 Penalties**
- 22.1. Subject to GCC Clause 25, if the supplier fails to deliver any or all of the goods or to perform the services within the period(s) specified in the contract, the purchaser shall, without prejudice to its other remedies under the contract, deduct from the contract price, as a penalty, a sum calculated on the delivered price of the delayed goods or unperformed services using the current prime interest rate calculated for each day of the delay until actual delivery or performance. The purchaser may also consider termination of the contract pursuant to GCC Clause 23.
- 23 Termination for default**
- 23.1. The purchaser, without prejudice to any other remedy for breach of contract, by written notice of default sent to the supplier, may terminate this contract in whole or in part:
- (a) if the supplier fails to deliver any or all of the goods within the period(s) specified in the contract, or within any extension thereof granted by the purchaser pursuant to GCC Clause 21.2;
  - (b) if the Supplier fails to perform any other obligation(s) under the contract; or
  - (c) if the supplier, in the judgment of the purchaser, has engaged in corrupt or fraudulent practices in competing for or in executing the contract.
- 23.2. In the event the purchaser terminates the contract in whole or in part, the purchaser may procure, upon such terms and in such manner as it deems appropriate, goods, works or services similar to those undelivered, and the supplier shall be liable to the purchaser for any excess costs for such similar goods, works or services. However, the supplier shall continue performance of the contract to the extent not terminated.
- 23.3. Where the purchaser terminates the contract in whole or in part, the purchaser may decide to impose a restriction penalty on the supplier by prohibiting such supplier from doing business with the public sector for a period not exceeding 10 years.
- 23.4. If a purchaser intends imposing a restriction on a supplier or any person associated with the supplier, the supplier will be allowed a time period of not more than fourteen (14) days to provide reasons why the envisaged restriction should not be imposed. Should the supplier fail to respond within the stipulated fourteen (14) days the purchaser may regard the intended penalty as not objected against and may impose it on the supplier.
- 23.5. Any restriction imposed on any person by the Accounting Officer / Authority will, at the discretion of the Accounting Officer / Authority, also be applicable to any other enterprise or any partner, manager, director or other person who wholly or partly exercises or exercised or may exercise control over the enterprise of the first-mentioned person, and with which enterprise or person the first-mentioned person, is or was in the opinion of the Accounting Officer / Authority actively associated.
- 23.6. If a restriction is imposed, the purchaser must, within five (5) working days of such imposition, furnish the National Treasury, with the following information:
- (i) the name and address of the supplier and / or person restricted by the purchaser;
  - (ii) the date of commencement of the restriction
  - (iii) the period of restriction; and
  - (iv) the reasons for the restriction.
- These details will be loaded in the National Treasury's central database of suppliers or persons prohibited from doing business with the public sector.
- 23.7. If a court of law convicts a person of an offence as contemplated in sections 12 or 13 of the Prevention and Combating of Corrupt Activities Act, No. 12 of 2004, the court may also rule that such person's name be endorsed on the Register for Tender Defaulters. When a person's name has been endorsed on the Register, the person will be prohibited from doing business with the public sector for a period not less than five years and not more than 10 years. The National Treasury is empowered to determine the period of restriction and each case will be dealt with on its own merits. According to section 32 of the Act the Register must be open to the public. The Register can be perused on the National Treasury website.
- 24 Anti-dumping and countervailing duties and rights**
- 24.1. When, after the date of bid, provisional payments are required, or antidumping or countervailing duties are imposed, or the amount of a provisional payment or anti-dumping or countervailing right is increased in respect of any dumped or subsidized import, the State is not liable for any amount so required or imposed, or for the amount of any such increase. When, after the said date, such a provisional payment is no longer required or any such anti-dumping or countervailing right is abolished, or where the amount of such provisional payment or any such right is reduced, any such favourable difference shall on demand be paid forthwith by the contractor to the State or the State may deduct such amounts from moneys (if any) which may otherwise be due to the contractor in regard to supplies or services which he delivered or rendered, or is to deliver or render in terms of the contract or any other contract or any other amount which may be due to him.
- 25 Force Majeure**
- 25.1. Notwithstanding the provisions of GCC Clauses 22 and 23, the supplier shall not be liable for forfeiture of its performance security, damages, or termination for default if and to the extent that his delay in performance or other failure to perform his obligations under the contract is the result of an event of force majeure.
- 25.2. If a force majeure situation arises, the supplier shall promptly notify the purchaser in writing of such condition and the cause thereof. Unless otherwise directed by the purchaser in writing, the supplier shall continue to perform its obligations under the contract as far as is reasonably practical, and shall seek all reasonable alternative means for performance not prevented by the force majeure event.
- 26 Termination for insolvency**
- 26.1. The purchaser may at any time terminate the contract by giving written notice to the supplier if the supplier becomes bankrupt or otherwise insolvent. In this event, termination will be without compensation to the supplier, provided that such termination will not prejudice or affect any right of action or remedy which has accrued or will accrue thereafter to the purchaser.
- 27 Settlement of Disputes**
- 27.1. If any dispute or difference of any kind whatsoever arises between the purchaser and the supplier in connection with or arising out of the contract, the parties shall make every effort to resolve amicably such dispute or difference by mutual consultation.





- 27.2. If, after thirty (30) days, the parties have failed to resolve their dispute or difference by such mutual consultation, then either the purchaser or the supplier may give notice to the other party of his intention to commence with mediation. No mediation in respect of this matter may be commenced unless such notice is given to the other party.
- 27.3. Should it not be possible to settle a dispute by means of mediation, it may be settled in a South African court of law.
- 27.4. Mediation proceedings shall be conducted in accordance with the rules of procedure specified in the SCC.
- 27.5. Notwithstanding any reference to mediation and/or court proceedings herein,  
(a) the parties shall continue to perform their respective obligations under the contract unless they otherwise agree; and  
(b) the purchaser shall pay the supplier any monies due the supplier.
- 28 Limitation of liability**
- 28.1. Except in cases of criminal negligence or willful misconduct, and in the case of infringement pursuant to Clause 6;  
(a) the supplier shall not be liable to the purchaser, whether in contract, tort, or otherwise, for any indirect or consequential loss or damage, loss of use, loss of production, or loss of profits or interest costs, provided that this exclusion shall not apply to any obligation of the supplier to pay penalties and/or damages to the purchaser; and  
(b) the aggregate liability of the supplier to the purchaser, whether under the contract, in tort or otherwise, shall not exceed the total contract price, provided that this limitation shall not apply to the cost of repairing or replacing defective equipment.
- 29 Governing language**
- 29.1. The contract shall be written in English. All correspondence and other documents pertaining to the contract that is exchanged by the parties shall also be written in English.
- 30 Applicable law**
- 30.1. The contract shall be interpreted in accordance with South African laws, unless otherwise specified in SCC.
- 31 Notices**
- 31.1. Every written acceptance of a bid shall be posted to the supplier concerned by registered or certified mail and any other notice to him shall be posted by ordinary mail to the address furnished in his bid or to the address notified later by him in writing and such posting shall be deemed to be proper service of such notice
- 31.2. The time mentioned in the contract documents for performing any act after such aforesaid notice has been given, shall be reckoned from the date of posting of such notice.
- 32 Taxes and duties**
- 32.1. A foreign supplier shall be entirely responsible for all taxes, stamp duties, license fees, and other such levies imposed outside the purchaser's country.
- 32.2. A local supplier shall be entirely responsible for all taxes, duties, license fees, etc., incurred until delivery of the contracted goods to the purchaser.
- 32.3. No contract shall be concluded with any bidder whose tax matters are not in order. Prior to the award of a bid the Department must be in possession of a tax clearance certificate, submitted by the bidder. This certificate must be an original issued by the South African Revenue Services.
- 33 National Industrial Participation (NIP) Programme**
- 33.1. The NIP Programme administered by the Department of Trade and Industry shall be applicable to all contracts that are subject to the NIP obligation.
- 34 Prohibition of Restrictive practices**
- 34.1. In terms of section 4 (1) (b) (iii) of the Competition Act No. 89 of 1998, as amended, an agreement between, or concerted practice by, firms, or a decision by an association of firms, is prohibited if it is between parties in a horizontal relationship and if a bidder (s) is / are or a contractor(s) was / were involved in collusive bidding (or bid rigging).
- 34.2. If a bidder(s) or contractor(s), based on reasonable grounds or evidence obtained by the purchaser, has / have engaged in the restrictive practice referred to above, the purchaser may refer the matter to the Competition Commission for investigation and possible imposition of administrative penalties as contemplated in the Competition Act No. 89 of 1998.
- 34.3. If a bidder(s) or contractor(s), has / have been found guilty by the Competition Commission of the restrictive practice referred to above, the purchaser may, in addition and without prejudice to any other remedy provided for, invalidate the bid(s) for such item(s) offered, and / or terminate the contract in whole or part, and / or restrict the bidder(s) or contractor(s) from conducting business with the public sector for a period not exceeding ten (10) years and / or claim damages from the bidder(s) or contractor(s) concerned.



**SPECIAL CONDITIONS OF CONTRACT**

**1. AMENDMENT OF CONTRACT**

1.1. Any amendment to or renunciation of the provisions of the contract shall at all times be done in writing and shall be signed by both parties.

**2. CHANGE OF ADDRESS**

2.1. Bidders must advise the Department of Health (institution where the offer was submitted) should their address (domicilium citandi et executandi) details change from the time of bidding to the expiry of the contract.

**3. GENERAL CONDITIONS ATTACHED TO THIS QUOTATION**

3.1. The Department is under no obligation to accept the lowest or any quote.

3.2. The Department reserves the right to communicate in writing with vendors in cases where information is incomplete or where there are obscurities regarding technical aspects of the offer, to obtain confirmation of prices or preference claims in cases where it is evident that a typing, written, transfer or unit error has been made, to investigate the vendor's standing and ability to complete the supply/service satisfactorily.

3.3. **ALL DECISIONS TAKEN BY THE DEPARTMENT ARE FINAL, INCLUDING THE AWARD OR CANCELLATION OF THIS QUOTATION.**

3.4. The price quoted must include VAT (if VAT vendor).

3.5. Should a bidder become a VAT vendor after award or during the implementation of a contract, they may not request the VAT percentage from the Department as the service provider made an offer during the period they were not registered as a VAT vendor. The Department is only liable for any VAT from registered VAT vendors as originally stated on the quotation document.

3.6. The bidder must ensure the correctness & validity of the quotation:

(i) that the price(s), rate(s) & preference quoted cover all for the work/item (s) & accept that any mistakes regarding the price (s) & calculations will be at the bidder's risk;

(ii) It is the responsibility of the bidder to confirm receipt of their quotation and to keep proof thereof.

3.7. The bidder must accept full responsibility for the proper execution & fulfilment of all obligations conditions devolving on under this agreement, as the Principal (s) liable for the due fulfilment of this contract.

3.8. This quotation will be evaluated based on the 80/20 points system, specification, correctness of information and/or functionality criteria. All required documentation must be completed in full and submitted.

3.9. Offers must comply strictly with the specification.

3.10. Only offers that meet or are greater than the specification will be considered.

3.11. Late offers will not be considered.

3.12. Expired product/s will not be accepted. All products supplied must be valid for a minimum period of six months.

3.13. Used/ second-hand products will not be accepted.

3.14. A bidder not registered on the Central Suppliers Database or whose verification has failed will not be considered.

3.15. All delivery costs must be included in the quoted price for delivery at the prescribed destination.

3.16. Only firm prices will be accepted. Such prices must remain firm for the contract period. Non-firm prices (including rates of exchange variations) will not be considered.

3.17. In cases where different delivery points influence the pricing, a separate pricing schedule must be submitted for each delivery point.

3.18. In the event of a bidder having multiple quotes, only the cheapest according to specification will be considered.

3.19. Verification will be conducted to identify if bidders have multiple companies and are cover-quoting for this bid.

3.20. In such instances, the Department reserves the right to immediately disqualify such bidders as cover-quoting is an offence that represents both corruption and acquisition fraud.

**4. SPECIAL INSTRUCTIONS AND NOTICES TO BIDDERS REGARDING THE COMPLETION OF THIS QUOTATION.**

4.1. Unless inconsistent with or expressly indicated otherwise by the context, the singular shall include the plural and vice versa and with words importing the masculine gender shall include the feminine and the neuter.

4.2. Under no circumstances whatsoever may the quotation/bid forms be retyped or redrafted. Photocopies of the original bid documentation may be used, but an original signature must appear on such photocopies.

4.3. The bidder is advised to check the number of pages and to satisfy himself that none are missing or duplicated.

4.4. Quotations submitted must be complete in all respects. However, where it is identified that information in a bidder's response, which does not affect the preference points or price, is incomplete in any respect, the said supplier meets all specification requirements and scores the highest points in terms of preference points and price, the Department reserves the right to request the bidder to complete/ submit such information.

4.5. Any alteration made by the bidder must be initialled; failure to do so may render the response invalid.

4.6. Use of correcting fluid is prohibited and may render the response invalid.

4.7. Quotations will be opened in public as soon as practicable after the closing time of quotation.

4.8. Where practical, prices are made public at the time of opening quotations.

4.9. If it is desired to make more than one offer against any individual item, such offers should be given on a photocopy of the page in question. Clear indication thereof must be stated on the schedules attached.

4.10. The Department is under no obligation to pay suppliers in part for work done if the supplier can no longer fulfill their obligation.

**5. SPECIAL INSTRUCTIONS REGARDING HAND DELIVERED QUOTATIONS**

5.1. Quotation shall be lodged at the address indicated not later than the closing time specified for their receipt, and in accordance with the directives in the quotation documents.

5.2. Each quotation shall be addressed in accordance with the directives in the quotation documents and shall be lodged in a separate sealed envelope, with the name and address of the bidder, the quotation number and closing date indicated on the envelope. The envelope shall not contain documents relating to any quotation other than that shown on the envelope. If this provision is not complied with, such quotations/bids may be rejected as being invalid.

5.3. All quotations received in sealed envelopes with the relevant quotation numbers on the envelopes are kept unopened in safe custody until the closing time of the quotation/bids. Where, however, a quotation is received open, it shall be sealed. If it is received without a quotation/bid number on the envelope, it shall be opened, the quotation number ascertained, the envelope sealed and the quotation number written on the envelope.

5.4. A specific box is provided for the receipt of quotations, and no quotation found in any other box or elsewhere subsequent to the closing date and time of quotation will be considered.



5.6. Quotation documents must not be included in packages containing samples. Such quotations may be rejected as being invalid.

**6. SAMPLES**

6.1. In the case of the quote document stipulating that samples are required, the supplier will be informed in due course when samples should be provided to the institution. (This decreases the time of safety and storage risk that may be incurred by the respective institution). The bidders sample will be retained if such bidder wins the contract.

- (i) If a company/s who has not won the quote requires their samples, they must advise the institution in writing of such.
- (ii) If samples are not collected within three months of close of quote the institution reserves the right to dispose of them at their discretion.

6.2. Samples must be made available when requested in writing or if stipulated on the document.

- If a Bidder fails to provide a sample of their product on offer for scrutiny against the set specification when requested, their offer will be rejected. All
- (i) testing will be for the account of the bidder.

**7. COMPULSORY SITE INSPECTION / BRIEFING SESSION**

7.1. Bidders who fail to attend the compulsory meeting will be disqualified from the evaluation process.

(i) The institution has determined that a compulsory site meeting will take place.

(ii) Date: 02 / 08 / 2023 Time: 11 : am Place: maintenance

<p>Institution Stamp:</p>	<p>institution Site Inspection / briefing session Official:</p> <p>Full Name: _____</p> <p>Signature: _____</p> <p>Date: _____</p>
---------------------------	--

**8. STATEMENT OF SUPPLIES AND SERVICES**

8.1. The contractor shall, when requested to do so, furnish particulars of supplies delivered or services executed. If he/she fails to do so, the Department may, without prejudice to any other rights which it may have, institute inquiries at the expense of the contractor to obtain the required particulars.

**9. SUBMISSION AND COMPLETION OF SBD 6.1**

9.1. Should a bidder wish to qualify for preference points they must complete a SBD 6.1 document. Failure by a bidder to provide all relevant information required, will result in such a bidder not being considered for preference point's allocation. The preferences applicable on the closing date will be utilized. Any changes after the closing date will not be considered for that particular quote.

**10. TAX COMPLIANCE REQUIREMENTS**

- 10.1. In the event that the tax compliance status has failed on CSD, it is the suppliers' responsibility to provide a SARS pin in order for the institution to validate the tax compliance status of the supplier.
- 10.2. In the event that the institution cannot validate the suppliers' tax clearance on SARS as well as the Central Suppliers Database, the quote will not be considered and passed over as non-compliant according to National Treasury Instruction Note 4 (a) 2016/17.

**11. TAX INVOICE**

11.1. A tax invoice shall be in the currency of the Republic of South Africa and shall contain the following particulars:

- (i) the name, address and registration number of the supplier;
- (ii) the name and address of the recipient;
- (iii) an individual serialized number and the date upon which the tax invoice
- (iv) a description and quantity or volume of the goods or services supplied;
- (v) the official department order number issued to the supplier;
- (vi) the value of the supply, the amount of tax charged;
- (vii) the words tax invoice in a prominent place.

**12. PATENT RIGHTS**

12.1. The supplier shall indemnify the KZN Department of Health (hereafter known as the purchaser) against all third-party claims of infringement of patent, trademark, or industrial design rights arising from use of the goods or any part thereof by the purchaser.

**13. PENALTIES**

- 13.1. If at any time during the contract period, the service provider is unable to perform in a timely manner, the service provider must notify the institution in writing/email of the cause of and the duration of the delay. Upon receipt of the notification, the institution should evaluate the circumstances and, if deemed necessary, the institution may extend the service provider's time for performance.
- 13.2. In the event of delayed performance that extends beyond the delivery period, the institution is entitled to purchase commodities of a similar quantity and quality as a substitution for the outstanding commodities, without terminating the contract, as well as return commodities delivered at a later stage at the service provider's expense.
- 13.3. Alternatively, the institution may elect to terminate the contract and procure the necessary commodities in order to complete the contract. In the event that the contract is terminated the institution may claim damages from the service provider in the form of a penalty. The service provider's performance should be captured on the service provider database in order to determine whether or not the service provider should be awarded any contracts in the future.
- 13.4. If the supplier fails to deliver any or all of the goods or to perform the services within the period(s) specified in the contract, the purchaser shall, without prejudice to its other remedies under the contract, deduct from the contract price, as a penalty, a sum calculated on the delivered price of the delayed goods or unperformed services using the current prime interest rate calculated for each day of the delay until actual delivery or performance.



**14. TERMINATION FOR DEFAULT**

- 14.1. The purchaser, without prejudice to any other remedy for breach of contract, by written notice of default sent to the supplier, may terminate this contract in whole or in part:
- (i) if the supplier fails to deliver any or all of the goods within the period(s) specified in the contract,
  - (ii) if the supplier fails to perform any other obligation(s) under the contract; or
  - (iii) if the supplier, in the judgment of the purchaser, has engaged in corrupt or fraudulent practices in competing for or in executing the contract.
- 14.2. In the event the purchaser terminates the contract in whole or in part, the purchaser may procure, upon such terms and in such manner as it deems appropriate, goods, works or services similar to those undelivered, and the supplier shall be liable to the purchaser for any excess costs for such similar goods, works or services.
- 14.3. Where the purchaser terminates the contract in whole or in part, the purchaser may decide to impose a restriction penalty on the supplier by prohibiting such supplier from doing business with the public sector for a period not exceeding 10 years.
15. **THE DEPARTMENT RESERVES THE RIGHT TO PASS OVER ANY QUOTATION WHICH FAILS TO COMPLY WITH THE ABOVE.**

**PREFERENCE POINTS CLAIM FORM IN TERMS OF THE PREFERENTIAL PROCUREMENT REGULATIONS 2022**

This preference form must form part of all tenders invited. It contains general information and serves as a claim form for preference points for specific goals.

**NB: BEFORE COMPLETING THIS FORM, TENDERERS MUST STUDY THE GENERAL CONDITIONS, DEFINITIONS AND DIRECTIVES APPLICABLE IN RESPECT OF THE TENDER AND PREFERENTIAL PROCUREMENT REGULATIONS, 2022**

**1. GENERAL CONDITIONS**

- 1.1. The following preference point systems are applicable to invitations to tender:
- the 80/20 system for requirements with a Rand value of up to R50 000 000 (all applicable taxes included); and
  - the 90/10 system for requirements with a Rand value above R50 000 000 (all applicable taxes included).

1.2. The applicable preference point system for this tender is the 80/20 preference point system.

- 1.3. Points for this tender (even in the case of a tender for income-generating contracts) shall be awarded for:
- (a) Price; and
  - (b) Specific Goals.

1.4. The maximum points for this tender are allocated as follows:

	POINTS
PRICE	80
SPECIFIC GOALS	20
Total points for Price and Specific Goals	100

1.5. Failure on the part of a tenderer to submit proof or documentation required in terms of this tender to claim points for specific goals with the tender, will be interpreted to mean that preference points for specific goals are not claimed.

1.6. The organ of state reserves the right to require of a tenderer, either before a tender is adjudicated or at any time subsequently, to substantiate any claim in regard to preferences, in any manner required by the organ of state.

**2. DEFINITIONS**

- (a) "tender" means a written offer in the form determined by an organ of state in response to an invitation to provide goods or services through price quotations, competitive tendering process or any other method envisaged in legislation;
- (b) "price" means an amount of money tendered for goods or services, and includes all applicable taxes less all unconditional discounts;
- (c) "rand value" means the total estimated value of a contract in Rand, calculated at the time of bid invitation, and includes all applicable taxes;
- (d) "tender for income-generating contracts" means a written offer in the form determined by an organ of state in response to an invitation for the origination of income-generating contracts through any method envisaged in legislation that will result in a legal agreement between the organ of state and a third party that produces revenue for the organ of state, and includes, but is not limited to, leasing and disposal of assets and concession contracts, excluding direct sales and disposal of assets through public auctions; and
- (e) "the Act" means the Preferential Procurement Policy Framework Act, 2000 (Act No. 5 of 2000).

**3. FORMULAE FOR PROCUREMENT OF GOODS AND SERVICES**

**3.1. POINTS AWARDED FOR PRICE**

**3.1.1. THE 80/20 OR 90/10 PREFERENCE POINT SYSTEMS**

A maximum of 80 or 90 points is allocated for price on the following basis:

$$\begin{array}{ccc}
 \text{80/20} & & \text{90/10} \\
 \text{Ps} = 80 \left( 1 - \frac{\text{Pt} - \text{Pmin}}{\text{Pmin}} \right) & \text{OR} & \text{Ps} = 90 \left( 1 - \frac{\text{Pt} - \text{Pmin}}{\text{Pmin}} \right)
 \end{array}$$

Where

Ps = Points scored for price of tender under consideration

Pt = Price of tender under consideration

Pmin = Price of lowest acceptable tender

**3.2. FORMULAE FOR DISPOSAL OR LEASING OF STATE ASSETS AND INCOME GENERATING PROCUREMENT**

**3.2.1. POINTS AWARDED FOR PRICE**

A maximum of 80 or 90 points is allocated for price on the following basis:

$$\begin{array}{ccc}
 \text{80/20} & & \text{90/10} \\
 \text{Ps} = 80 \left( 1 + \frac{\text{Pt} - \text{Pmax}}{\text{Pmax}} \right) & \text{OR} & \text{Ps} = 90 \left( 1 + \frac{\text{Pt} - \text{Pmax}}{\text{Pmax}} \right)
 \end{array}$$

Where

Ps = Points scored for price of tender under consideration

Pt = Price of tender under consideration

Pmax = Price of highest acceptable tender



**4. POINTS AWARDED FOR SPECIFIC GOALS**

- 4.1. In terms of Regulation 4(2); 5(2); 6(2) and 7(2) of the Preferential Procurement Regulations, preference points must be awarded for specific goals stated in the tender. For the purposes of this tender the tenderer will be allocated points based on the goals stated in table 1 below as may be supported by proof/ documentation stated in the conditions of this tender:
- 4.2. In cases where organs of state intend to use Regulation 3(2) of the Regulations, which states that, if it is unclear whether the 80/20 or 90/10 preference point system applies, an organ of state must, in the tender documents, stipulate in the case of—
- (a) an invitation for tender for income-generating contracts, that either the 80/20 or 90/10 preference point system will apply and that the highest acceptable tender will be used to determine the applicable preference point system; or
  - (b) any other invitation for tender, that either the 80/20 or 90/10 preference point system will apply and that the lowest acceptable tender will be used to determine the applicable preference point system,
- then the organ of state must indicate the points allocated for specific goals for both the 90/10 and 80/20 preference point system.

**Table 1: Specific goals for the tender and points claimed are indicated per the table below.**

**Note to tenderers: The tenderer must indicate how they claim points for each preference point system.**

The specific goal/s allocated points in terms of this tender	Number of points allocated (80/20 system)	Number of points claimed (80/20 system)
Promotion of South African owned enterprises	20	

**DECLARATION WITH REGARD TO COMPANY/FIRM**

- 4.3. Name of company/firm: \_\_\_\_\_
- 4.4. Company registration number: \_\_\_\_\_
- 4.5. TYPE OF COMPANY/ FIRM [tick applicable box]
- Partnership/Joint Venture / Consortium
  - One-person business/sole propriety
  - Close corporation
  - Public Company
  - Personal Liability Company
  - (Pty) Limited
  - Non-Profit Company
  - State Owned Company

- 4.6. I, the undersigned, who is duly authorised to do so on behalf of the company/firm, certify that the points claimed, based on the specific goals as advised in the tender, qualifies the company/ firm for the preference(s) shown and I acknowledge that:
- i) The information furnished is true and correct;
  - ii) The preference points claimed are in accordance with the General Conditions as indicated in paragraph 1 of this form;
  - iii) In the event of a contract being awarded as a result of points claimed as shown in paragraphs 1.4 and 4.2, the contractor may be required to furnish documentary proof to the satisfaction of the organ of state that the claims are correct;
  - iv) If the specific goals have been claimed or obtained on a fraudulent basis or any of the conditions of contract have not been fulfilled, the organ of state may, in addition to any other remedy it may have –
    - (a) disqualify the person from the tendering process;
    - (b) recover costs, losses or damages it has incurred or suffered as a result of that person's conduct;
    - (c) cancel the contract and claim any damages which it has suffered as a result of having to make less favourable arrangements due to such cancellation;
    - (d) recommend that the tenderer or contractor, its shareholders and directors, or only the shareholders and directors who acted on a fraudulent basis, be restricted from obtaining business from any organ of state for a period not exceeding 10 years, after the audi alteram partem (hear the other side) rule has been applied; and
    - (e) forward the matter for criminal prosecution, if deemed necessary.

\_\_\_\_\_  
**SIGNATURE(S) OF TENDERER(S)**

**SURNAME AND NAME:** \_\_\_\_\_

**DATE:** \_\_\_\_\_

**ADDRESS:** \_\_\_\_\_  
\_\_\_\_\_  
\_\_\_\_\_



**KWAZULU-NATAL PROVINCE**  
HEALTH  
REPUBLIC OF SOUTH AFRICA

**PROVINCE OF KWAZULU-NATAL  
DEPARTMENT OF HEALTH**

**ZNQ NO-----: UTHUK-H- FUNDED FROM CAT "C"  
UTHUK-H- LADYSMITH REGIONAL L HOSP. /23**

APPOINTMENT OF CONTRACTOR TO  
SUPPLY LABOUR AND SABS APPROVED MATERIALS TO RENOVATE ABLUTIONS FOR WARD 9,  
CASUALTY, OPD EYE CLINIC AND DAY WARD FOR LADYSMITH REGIONAL HOSPITAL PREMISES.

Closing Date & Time : \_\_\_\_\_ @ 11h00  
Contract Period : Six (06) Weeks.  
Validity Period : \_\_\_\_ Days  
Technical Contact Person : Mr. L.L. Makhaye  
Contact Telephone Number : 036-637 2111  
On Site Inspection : \_\_\_\_\_ @ \_\_h00

DOCUMENTS DELIVERED BY HAND MUST BE DEPOSITED IN THE QUOTATION BOX SITUATED IN:

THE TENDER-BOX LADYSMITH REGIONAL  
HOSPITAL  
MALCOLM ROAD, LADYSMITH,3370

THE QUOTATION BOX IS AVAILABLE  
ON MONDAYS TO FRIDAY - EXCESS  
PERMISSION WILL BE OBTAINED  
FROM THE MAIN GATE SECURITY.

N.B.: TENDER BOX WILL BE CLEARED AT 1100Hrs ON THE CLOSING DATE.

Name of Tenderer \_\_\_\_\_

BID FOR APPROVAL BY THE DEPARTMENTAL BID SPECIFICATION COMMITTEE

REFERENCE: ZNQ\_\_\_\_\_ -H-

ENQUIRIES: MR. L.L. Makhaye

DATE: \_\_\_\_\_



**PROVINCE OF KWAZULU-NATAL**  
**DEPARTMENT OF HEALTH**  
ZNQ NO-----: UTHUK-H- FUNDED FROM CAT "C"  
UTHUK-H- LADYSMITH REGIONAL L HOSP. /23

APPOINTMENT OF CONTRACTOR TO  
SUPPLY LABOUR AND SABS APPROVED MATERIALS TO RENOVATE ABLUTIONS FOR WARD 9,  
CASUALTY, OPD EYE CLINIC AND DAY WARD FOR LADYSMITH REGIONAL HOSPITAL PREMISES.

**1. PROJECT SPECIFICATIONS**

**1.1 SCOPE OF CONTRACT**

This Contract is for the execution of the project indicated above.

**1.2 CONTRACT DRAWINGS**

Drawing N/A

**1.3 CONDITIONS OF CONTRACT AND PRELIMINARIES**

**1.3.1 PERIOD OF CONTRACT**

Six (06) weeks as the Contract Period for the completion of the Work from date of Site handover.

**1.3.1.1 NB. Contractor will be given seven (7) working days to resume his/her duties after the order with order number has been issued. Failure to do so, an evaluation committee will re-evaluate and re-issue the order to the next following contractor on condition that contractor meets all the requirements and will be able to resume.**

**1.3.2 CONTRACT GUARANTEE:**

Damage to the existing buildings - Bidders to note that any damages done or occurring to any of the buildings will be repaired at the expense of the contractor/ Tenderer. Renovations be done to the satisfaction of the KwaZulu- Natal Department of Health (infrastructure).

Bidders are advised to visit the site prior to tendering and to acquaint themselves with the nature of the work to be done and access to the sitting of the existing buildings etc., as no claim whatsoever will be allowed on the grounds of ignorance of the conditions under which the work will be executed.

**1.3.3 GUARANTEE PERIOD**

The guarantee period for the completion of the Structure indicated above and all materials must be a minimum of 24 months from the date of final delivery.

**1.3.3.1 PENALTY FOR NON COMPLETION**

Penalties of 5 % a day shall apply for non-completion.

**1.3.4 SITE AND MODE OF PROCEDURE**

The work or services contained in this contract will be carried out on the site of the existing Grounds The Bidder is advised that the existing premises will not be occupied throughout the period of the contract,





**KWAZULU-NATAL PROVINCE**  
HEALTH  
REPUBLIC OF SOUTH AFRICA

**PROVINCE OF KWAZULU-NATAL  
DEPARTMENT OF HEALTH  
ZNQ NO-----: UTHUK-H- FUNDED FROM CAT "C"  
UTHUK-H- LADYSMITH REGIONAL L HOSP. /23**

APPOINTMENT OF CONTRACTOR TO  
SUPPLY LABOUR AND SABS APPROVED MATERIALS TO RENOVATE ABLUTIONS FOR WARD 9,  
CASUALTY, OPD EYE CLINIC AND DAY WARD FOR LADYSMITH REGIONAL HOSPITAL PREMISES.

### 1.3.5 SATISFACTORY INSTALLATION

The whole project shall be carried out in accordance with the South African Bureau of Standards Code of Practice for the application of National Building Regulations, the KZNPA Standard Preambles to all Trades, the KZNPA General Specification, the South African Bureau of Standards Code of Practice and the Occupational Health and Safety Act and Regulations 85/1993 as amended.

### 1.3.7 GENERAL

The Bidders / Contractors will be responsible for renovation work associated with contraction. Cleaning of the entire area is compulsory and shall be added to the schedule of works and must be to the satisfaction of the KwaZulu-Natal Department of Health.

## 2. TECHNICAL SPECIFICATION

### 2.1 GENERAL

This TECHNICAL SPECIFICATION shall be read in conjunction with all other sections of the SPECIFICATION and cognisance shall be taken of the clauses relevant to this particular project, whether any specific clauses are referred to or not.

#### 2.1.1 SCOPE

Supply labour and materials to complete Renovations. All Materials which are used are to comply to original manufactures standards. Bidders are to ensure that all materials shall be handed over to Systems manager for inspection and approval before assuming of duty, any materials which do not comply will not be accepted, it is compulsory to communicate with Systems Manager for any clarities which may be required. Bidders are to note that

**NB. NO PART PAYMENT WILL BE GRANTED IN THIS CONTRACT, CONTRACTOR TO COMPLETE WORKS TO THE SATISFACTION OF THE HOSPITAL AND SUBMIT INVOICE FOR PAYMENT.**



KWAZULU-NATAL PROVINCE

HEALTH  
REPUBLIC OF SOUTH AFRICA

**PROVINCE OF KWAZULU-NATAL  
DEPARTMENT OF HEALTH**

**ZNQ NO-----: UTHUK-H- FUNDED FROM CAT "C"  
UTHUK-H- LADYSMITH REGIONAL L HOSP. /23**

APPOINTMENT OF CONTRACTOR TO  
SUPPLY LABOUR AND SABS APPROVED MATERIALS TO RENOVATE ABLUTIONS FOR WARD 9,  
CASUALTY, OPD EYE CLINIC AND DAY WARD FOR LADYSMITH REGIONAL HOSPITAL PREMISES.

**2.1.2 WORK TO BE CARRIED OUT****2.1.2.1 RENOVATION OF WHITE HOUSE****3. SCHEDULE OF RATES****PREAMBLE TO SCHEDULE OF RATES****ITEMS AND PRICING**

The Department reserves the right to place an order for any quantities of items included in the Schedules. The Schedule of Rates must also not be assumed to include and describe every detail of the supply requirement, but must be taken and read in conjunction with the other parts of the document. Thus the supplier shall not have claim for further payment in respect of any order, which may be described or implied in the contract, although apparently no corresponding items are given in the Schedule of Rates. The supplier shall be deemed to have satisfied himself before tendering as to the correctness and sufficiency of his tender for the contract and of the rates and prices stated in the Schedule of Rates.

**TAX AND DUTIES**

Prices, tendered and paid, must include all customs, excise and import duties, and any other tariffs or taxes levied by the government or statutory body having jurisdiction on the goods provided under this contract, including Value Added Tax (applicable to the current rate).

**RATES**

Except where provision is made in the Schedule of Rates, the rates and prices inserted shall be the full rates and prices for the service delivered described under the respective items and shall cover all labour, transport, overhead charges and profit, etc. as well as the general liabilities, obligations and risks arising out of the Conditions of Contract, the overhead charges and profit being spread proportionately over the rates of the relative items in the Schedule of Rates.



KWAZULU-NATAL PROVINCE

HEALTH  
REPUBLIC OF SOUTH AFRICA

**PROVINCE OF KWAZULU-NATAL  
DEPARTMENT OF HEALTH**

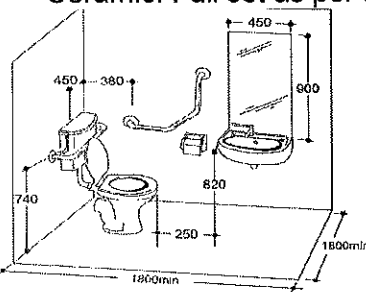
**ZNQ NO-----: UTHUK-H- FUNDED FROM CAT "C"  
UTHUK-H- LADYSMITH REGIONAL L HOSP. /23**

APPOINTMENT OF CONTRACTOR TO  
SUPPLY LABOUR AND SABS APPROVED MATERIALS TO RENOVATE ABLUTIONS FOR WARD 9,  
CASUALTY, OPD EYE CLINIC AND DAY WARD FOR LADYSMITH REGIONAL HOSPITAL PREMISES.

Item	DESCRIPTION	UNIT	QTY	RATE/ UNIT		TOTAL	
				R	c	R	c
	<p><b>NOTE:</b></p> <p>1) All rates for items contained in this Schedule of Prices must be computed excluding the applicable Sales Tax.</p> <p>2) Where items are described as "Or other approved", approval must be obtained prior to tendering or submission of documents.</p> <p>3) All rates quoted shall be inclusive of transport, labour and profit.</p> <p>4) NOTES: All rates quoted shall be inclusive of transport, labour and profit. The bidder is advised that the buildings are occupied and interruptions to the electrical installation must be kept to an absolute minimum.</p> <p>5) THE DEPARTMENT WILL NOT BE RESPONSIBLE FOR ANY MISTAKES AND SPOILED DOCUMENTS</p> <p>6) ALL ENQUIRIES ABOUT THE PRINTING SHOULD BE LEASED WITH SUPPLY CHAIN DEPARTMENT LADYSMITH REGIONAL HOSPITAL</p>						
	<p align="center"><b>PROVINCE OF KWAZULU-NATAL DEPARTMENT OF HEALTH ZNQ NO-----: UTHUK-H- FUNDED FROM CAT "C" UTHUK-H- LADYSMITH REGIONAL L HOSP. /23</b></p> <p align="center">APPOINTMENT OF CONTRACTOR TO SUPPLY LABOUR AND SABS APPROVED MATERIALS TO RENOVATE ABLUTIONS FOR WARD 9, CASUALTY, OPD EYE CLINIC AND DAY WARD FOR LADYSMITH REGIONAL HOSPITAL PREMISES.</p>						
01	<p><b><u>SHOWER ROOM 8,8 SQM</u></b></p> <ul style="list-style-type: none"> <li>• Remove old, damaged and outdated wall tiles and depose it to an approved dumping site.</li> <li>• Prepare the wall for laying of wall tiles.</li> <li>• Supply SABS materials (tiles) and lay Wall tiles on the wall, white in colour Samca Shiny Wall Tile - White (200 x 200mm)</li> <li>• 2mm Spacers sizes must be used.</li> </ul>		01				

	<ul style="list-style-type: none"> <li>Supply and install stainless steel edges.</li> </ul> <p><b>NB.</b> Mix with bond</p>					
02	<ul style="list-style-type: none"> <li>Removed old damaged Ceramic Porcelain Mosaic - Brown/Beige in four (04) cubicles and dispose it to an approved dumping area.</li> <li>Prepare the floor the floor for tile.</li> <li>Supply and lay Ceramic Porcelain Mosaic - Brown/Beige in four (04) cubicles</li> <li>Supply and install Shower Trap D-Square Di Bella, connect it to an existing waste lines (discharge lines).</li> </ul>	04				
03	<ul style="list-style-type: none"> <li>Rubber Modular Mat Closed – Diamond black in colour</li> </ul>	08				
	<ul style="list-style-type: none"> <li>Remove old damaged ceiling boards with fitting and dispose it to an approved dumping site.</li> <li>Supply and install Fibre cement ceiling NUTEC 0.4cm x 120cm x 300cm to a space that is 8,8 sqm</li> <li>Supply and install fitting 4 feet LED</li> </ul>	01				
04	<ul style="list-style-type: none"> <li>Remove old damaged glass windows and hand it in to maintenance section.</li> <li>Supply and install frosted glass windows that will fit a space and existing space.</li> <li>Prepare window frames for painting, paint with gross paint white in colour</li> <li><b>NB.</b> Supply SABS approved industrial Commercial Extractor Fan 200 mm and must be installed to a space that is in the middle of newly installed glass windows,</li> </ul>	01				
05	<ul style="list-style-type: none"> <li>Remove existing old damaged shower rows with taps and hand it in to maintenance department.</li> <li>Supply and install Hooded, single-function shower rose, 100mm diameter, chrome-plated. Includes: 1/2 BSP male inlet, single function includes: classic spray with arm and commission.</li> </ul>	04				
06	<ul style="list-style-type: none"> <li>Supply and install Stainless Steel Closet Rod Holder ULIFESTAR Shower Curtain Rod Tension Rod Sockets Rod Flange Shelf Brackets Heavy Duty Metal Shower to a space that 900</li> <li>Supply and install RS PRO Clear PVC STRIP CURTAINS, 200mm x 2mm to fit existing space to a space that is 900</li> </ul>	04				
07	<ul style="list-style-type: none"> <li>Remove all damaged bathroom door and hand it in to maintenance department.</li> <li>Supply and install bathroom door (solid) must be fitted with DORMA PUSH/PULL 300MMX100MM SET Key set, door must fit existing space with.</li> <li>Vertical shot of a open wooden bathroom door (solid).</li> </ul>	01				
08	<p><b>ABLUTION SECTION 9sqm</b></p> <ul style="list-style-type: none"> <li>Remove old and damaged hand washing basin and hand it in to</li> </ul>	02				

	<p>maintenance department</p> <ul style="list-style-type: none"> <li>Supply and install a new tiny ceramic hand washing basin connect it to an existing water lines for water supplier (in-let) and discharge to be directed it to an existing waste water lines.</li> <li>Hand washing basin must be installed with 2 taps each (one is for hot water and other for cold water). X1</li> </ul>					
09	<ul style="list-style-type: none"> <li>Supply mixed concrete and back fill/close existing drain that is non-functioning. 5,5m</li> <li>Lay floor tiles that are matching existing.</li> </ul>		01			
10	<ul style="list-style-type: none"> <li>Remove old, damaged and leaking 22mm copper and galvanised pipes for cold and hot water pipe and hand it in to maintenance.</li> <li>Supply labour and SABS approved materials and connect/re-fit 22mm copper pipes (class 2) and channel the pipes to the outside of the buildings</li> <li><u>NB.</u> Supply and install Hand washing basin and it must discharge water to a newly install pipes that are running to the outside.</li> <li>Supply and install soap dispenser</li> <li>1.2 Litre Manual Stainless Steel Dispenser</li> <li>1 Litre Manual Stainless Steel Dispenser with easy push mechanism it must be in a refillable container that can be used for liquid hand sanitizer, gel hand sanitizer as well as liquid hand soap.</li> </ul>		01			
11	<ul style="list-style-type: none"> <li>Prepare the wall for tilling. 2,1 (H)</li> <li>Supply SABS approved materials and lay Wall tiles, white in colour Samca Shiny Wall Tile - White (200 x 200mm) mix with bond.</li> <li>Unsure that stainless steel edges are supply to join the finishing</li> </ul>		01			
12	<ul style="list-style-type: none"> <li>Remove all damaged glass windows,</li> <li>Clean and prepare steel window frame.</li> <li>Paint it with white paint gross</li> <li>Replace all damaged glass with frosted glass to fit existing space.</li> </ul>		04			
13	<ul style="list-style-type: none"> <li>Supply SABS chemical and scrub and clean the existing floor tiles till it give very bright colour.</li> </ul>		01			
14	<ul style="list-style-type: none"> <li>Prepare a ceiling for painting.</li> <li>Supply SABS approved materials and paint the ceiling with white paint PVA with 15 years warranty.</li> </ul>		01			
15	<ul style="list-style-type: none"> <li><b>Ablution/toilets No1. No2. And No3</b></li> <li>Remove old damaged, metal toilet set and Supply and install/replace with new ceramic toilet set and hand it to maintenance department.</li> <li>Close-Coupled Suites – Toilets, front flush.</li> </ul>		03			

	<ul style="list-style-type: none"> <li>Connect if to an existing sewer line</li> <li>Commission.</li> </ul>					
	<ul style="list-style-type: none"> <li>Construct a wall that is 2,1 (H) using common brick (Pair)</li> <li>Wall must be reinforced with heavy duty brick force</li> <li>Supply SABS approved materials and lay Wall tiles, white in colour Samca Shiny Wall Tile - White (200 x 200mm) mix with bond.</li> <li>Supply and install door (plain solid Mirant door) and Mirant door frame and must be painted white semi-gloss.</li> <li>Door must be fitted with a mort ice lock 4 levers with three set of keys.</li> <li>Size of the door must be 900 Solid doors.</li> <li>Dimensions must be a minimum of 2200mm deep x 1500mm wide.</li> <li>Supply labour and SABS materials and connect paraplegic toilet Ceramic. Full set as per attached pic below.</li> </ul>					
						
16	<ul style="list-style-type: none"> <li>Disable signage on the door.</li> </ul>		01			
19	<ul style="list-style-type: none"> <li>Supply and install 4 toilet paper holders</li> <li>2 Tier Toilet Roll Holders, Lockable Mild White Steel. Sold individually.</li> </ul>		04			
20	<ul style="list-style-type: none"> <li>Contract to supply Mobile toilet for the duration of the contract</li> <li><b>NB.</b> Toilets will be maintained/maintained by the contract twice a week.</li> </ul>		04			
21	<p><b>Casualty ablution</b></p> <ul style="list-style-type: none"> <li>Remove old damaged door.</li> <li>Supply and install door (plain solid Mirant door) and must be painted white semi-gloss and the door frame be painted 15 year warrant paint.</li> <li>Supply and install DORMA key PUSH/PULL 300MMX100MM SET Key set, door must fit existing space with (900)</li> <li>Supply and install heavy Duty Door Closer – Silver UDY7770</li> </ul>		01			
22.	<p><b>Part 1 of the ablution 1,7 X 1,7</b></p> <ul style="list-style-type: none"> <li>Prepare the wall for wall tilling. 2m (H).</li> <li>Supply and lay Wall tiles, white in colour Samca Shiny Wall Tile - White (200 x 200mm)</li> </ul>		01			



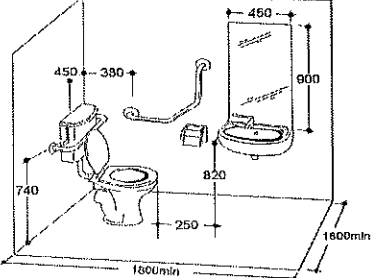
	<ul style="list-style-type: none"> <li>• Spacers must be used.</li> <li>• Supply and install stainless steel edges.</li> <li>• NB Bonding must be used</li> </ul>					
23	<ul style="list-style-type: none"> <li>• Paint the rest of the wall with double velvet broken white paint with 15 years of warranty.</li> </ul>	01				
24	<ul style="list-style-type: none"> <li>• Prepare the ceiling for paint and paint it using white paint PVC with 15 years of warranty.</li> </ul>	01				
	<ul style="list-style-type: none"> <li>• Supply and lay floor tiles on a space that is 1,7 X 350</li> <li>• Supply labour and materials to lay floor tiles 300mmX300mmx8.5mm full bodies non-slip resistant tiles fixed on 19mm bedding on screed and flush pointed with "TAL SUREROOF"</li> <li>• water proof joining compound, "TAL GOLD STAR "</li> <li>• adhesive and TAL FINE EPOXY Grouting</li> <li>• Supply and install stainless steel edges</li> </ul>	01				
25	<p><b>Prepare the wall for wall tiling. 2m (H). 2<sup>nd</sup> part of the ablution</b></p> <ul style="list-style-type: none"> <li>• Supply and lay Wall tiles, white in colour Samca Shiny Wall Tile - White (200 x 200mm)</li> <li>• Spacers must be used.</li> <li>• Supply and install stainless steel edges.</li> <li>• <b>NB</b> Bonding must be used</li> <li>• Paint the rest of the wall with double velvet broken white paint with 15 years of warranty.</li> <li>• Prepare the ceiling for paint and paint it using white paint PVC with 15 years of warranty.</li> <li>• Supply and install 600mm X 600mm mirror</li> <li>• Remove existing hand washing basin</li> <li>• Supply and install tiny Hand washing basin</li> <li>• Supply and install soap dispenser</li> <li>• 1.2 Litre Manual Stainless Steel Dispenser</li> <li>• 1 Litre Manual Stainless Steel Dispenser with easy push mechanism it must be in a refillable container that can be used for liquid hand sanitizer, gel hand sanitizer as well as liquid hand</li> </ul>	01				
	<p><b>Part 3</b></p> <ul style="list-style-type: none"> <li>• Remove existing toilet set and hand it in to maintenance section.</li> </ul>					
27	<ul style="list-style-type: none"> <li>• Supply and install/replace with new ceramic toilet set.</li> </ul>	01				

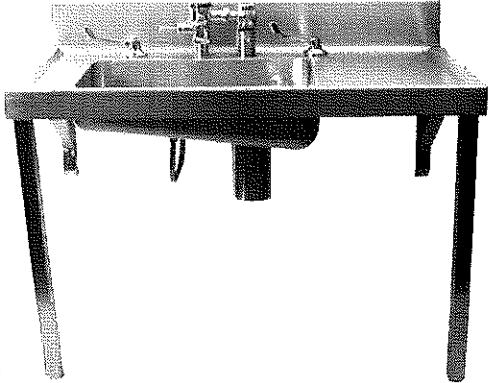
	<ul style="list-style-type: none"> <li>• Close-Coupled Suites – Toilets, front flush.</li> <li>• Connect if to an existing sewer line</li> <li>• Commission.</li> </ul>					
29	<ul style="list-style-type: none"> <li>• Supply and lay Wall tiles, white in colour Samca Shiny Wall Tile - White (200 x 200mm)</li> <li>• Spacers must be used.</li> <li>• Supply and install stainless steel edges.</li> <li>• <b>NB</b> Bonding must be used</li> <li>• Paint the rest of the wall with double velvet broken white paint with 15 years of warranty.</li> <li>• Prepare the ceiling for paint and paint it using white paint PVC with 15 years of warranty.</li> <li>• Prepare the door and the frame and paint with semi-gloss white</li> </ul>	01				
30	<ul style="list-style-type: none"> <li>• <b>Female ablution Part one</b></li> <li>• Supply and lay Wall tiles, white in colour Samca Shiny Wall Tile - White (200 x 200mm)</li> <li>• Spacers must be used.</li> <li>• Supply and install stainless steel edges.</li> <li>• NB Bonding must be used</li> <li>• Paint the rest of the wall with double velvet broken white paint with 15 years of warranty.</li> <li>• Prepare the ceiling for paint and paint it using white paint PVC with 15 years of warranty.</li> </ul>	01				
31	<ul style="list-style-type: none"> <li>• Remove old damaged 110 PVC elbow</li> <li>• Supply and install new 110mm PVC elbow</li> </ul>	01				
33	<ul style="list-style-type: none"> <li>• Supply and install a new tiny ceramic hand washing basin connect it to existing water lines for water supplier (in-let) and discharge to be directed it to an existing waste water lines.</li> <li>• Hand washing basin must be fitted with 1 tap.</li> </ul>	01				
34	<ul style="list-style-type: none"> <li>• Prepare existing door for vanishing, supply and apply vanish.</li> <li>• Supply and install heavy Duty Door Closer – Silver UDY7770</li> <li>• Supply and install 600mm X 600mm mirror</li> <li>• Prepare a door and door frame for painting, paint it using white paint semi-gloss odorless</li> </ul>	01				
35	<p><b>Part 2. Of female Ablution 1,7 X 9,5</b></p> <ul style="list-style-type: none"> <li>• Supply and lay Wall tiles, white in colour Samca Shiny Wall Tile - White (200 x 200mm)</li> <li>• Spacers must be used.</li> <li>• Supply and install stainless steel edges.</li> </ul>	01				



	<ul style="list-style-type: none"> <li>NB Bonding must be used</li> <li>Paint the rest of the wall with double velvet broken white paint with 15 years of warranty.</li> <li>Prepare the ceiling for paint and paint the ceiling using PVA with 15 years of warranty.</li> </ul>					
36	<ul style="list-style-type: none"> <li>Prepare the doors for painting.</li> <li>Supply SABS approve gloss paint and paint the door 15 year warranty.</li> </ul>		02			
37	<ul style="list-style-type: none"> <li>Prepare the door for vanishing.</li> <li>Supply and apply vanish on the door</li> <li>Supply and install DORMA key PUSH/PULL 300MMX100MM SET Key set, door must fit existing space with (900)</li> <li>Supply and install heavy Duty Door Closer – Silver UDY7770</li> </ul>		01			
38	<ul style="list-style-type: none"> <li>1.2 Litre Manual Stainless Steel Dispenser</li> <li>1 Litre Manual Stainless Steel Dispenser with easy push mechanism it must be in a refillable container that can be used for liquid hand sanitizer, gel hand sanitizer as well as liquid hand</li> </ul>		01			
39	<p><b><u>Outside hand washing</u></b></p> <ul style="list-style-type: none"> <li>Remove old damaged hand washing basin, hand it to maintenance section.</li> <li>Supply and install Basin Hand Wash Bantam/Tunga and connect it to an existing water supply and to an existing discharge line 50mm pvc.</li> <li>Hand washing must be elbow operated taps</li> <li>Tap Sink Medical Borrás Medico Elbow Action Chrome.</li> <li>Commission</li> </ul>		01			
40	<ul style="list-style-type: none"> <li>Automatic electric hand dryer Excel 2,5 kw stainless HD</li> </ul>		01			
41	<p><b><u>Outpatient Ablutions (Male and Female)</u></b></p> <ul style="list-style-type: none"> <li>Prepare the door for vanishing.</li> <li>Supply and apply vanish on the door</li> </ul>					
42	<ul style="list-style-type: none"> <li>Supply and install heavy Duty Door Closer – Silver UDY7770</li> </ul>		01			
43	<ul style="list-style-type: none"> <li>Replace all damaged floor tiles to match existing tiles (salt and paper). And supply chemical to clean rest of the tiles and must look new.</li> </ul>					
44	<ul style="list-style-type: none"> <li>Supply SABS approved wall tiles 200mm X 200mm that will match existing and replace all damaged and missing wall tiles.</li> </ul>					
45	<ul style="list-style-type: none"> <li>Prepare the ceiling for paint and paint it using white PVA with 15 years of warranty</li> </ul>		01			
46	<ul style="list-style-type: none"> <li>Remove old type stainless steel hand washing basin and hand it to maintenance department.</li> <li>Supply SABS approve Basin Hand Wash Bantam/Tunga and connect it to an existing water supply and to an existing discharge line 50mm pvc X2</li> <li>Auto Self Closing Water Saving Tap, Cold and hot Tap Demand Icon Pillar 1/2" Chrome</li> </ul>		04 taps			

	<ul style="list-style-type: none"> <li>Commission</li> </ul>					
47	<ul style="list-style-type: none"> <li>Supply SABS approved floor tiles that match existing (salt and paper) and lay the tiles to finish space. <b>500 X 2,25</b></li> <li>Supply and apply SABS approved wall tiles that is 200mm x 200mm to complete the wall that was half done. <b>1m x 2,25m</b></li> </ul>	500 X 2,25	1m X 2,25			
48	<ul style="list-style-type: none"> <li>Supply and lay floor tiles on a space that is 500 X 2,25</li> <li>Supply labour and materials to lay floor tiles 300mmX300mmx8.5mm full bodies non-slip</li> <li>resistant tiles fixed on 19mm bedding on screed</li> <li>and flush pointed with "TAL SUREROOF"</li> <li>water proof joining compound, "TAL GOLD STAR "</li> <li>adhesive and TAL FINE EPOXY Grouting</li> <li>Supply and install stainless steel edges</li> </ul>	500 X 2,25				
49	<ul style="list-style-type: none"> <li>Flatten the floor with a mixed concrete,</li> <li>Supply and lay floor tiles on a space that is 1,7 X1,20</li> <li>Supply labour and materials to lay floor tiles 300mmX300mmx8.5mm full bodies non-slip</li> <li>resistant tiles fixed on 19mm bedding on screed</li> <li>and flush pointed with "TAL SUREROOF"</li> <li>water proof joining compound, "TAL GOLD STAR "</li> <li>adhesive and TAL FINE EPOXY Grouting</li> </ul>		1,7m X 1,20			
50	<ul style="list-style-type: none"> <li>Remove old type toilet set and hand it to maintenance department.</li> <li>Supply and install/replace with new ceramic toilet set and hand it to maintenance department.</li> <li>Close-Coupled Suites – Toilets, front flush.</li> <li>Connect if to an existing sewer line</li> <li>Commission.</li> </ul>		03			
51	<ul style="list-style-type: none"> <li>Supply SABS approve solid door, to replace the door that is badly damaged and it must be painted white with semi-gloss.</li> <li>Supply and install/fit DORMA key PUSH/PULL 300MMX100MM</li> </ul>		03			
52	<ul style="list-style-type: none"> <li>Remove old type toilet set and hand it to maintenance department.</li> <li>Supply and install/replace with new ceramic toilet set</li> <li>Close-Coupled Suites – Toilets, front flush.</li> <li>Connect if to an existing sewer line</li> </ul>		02			

	Commission					
	Remove 02 hand washing basin and hand it to maintenance section.					
53	<ul style="list-style-type: none"> <li>Supply SABS approve Basin Hand Wash Bantam/Tunga and connect it to an existing water supply and to an existing discharge line 50mm pvc X2</li> <li>Auto Self Closing Water Saving Tap, Cold and hot Tap Demand</li> </ul>	01				
54	<ul style="list-style-type: none"> <li>Construct a wall that is 2,1 (H) using common brick (Pair)</li> <li>Wall must be reinforced with heavy duty brick force</li> <li>Supply SABS approved materials and lay Wall tiles, white in colour Samca Shiny Wall Tile - White (200 x 200mm) mix with bond.</li> <li>Supply and install door (plain solid Mirant door) and Mirant door frame and must be painted white semi-gloss.</li> <li>Door must be fitted with a mort ice lock 4 levers with three set of keys.</li> <li>Size of the door must be 900 Solid doors.</li> <li>Dimensions must be a minimum of 2200mm deep x 1500mm wide.</li> <li>Supply labour and SABS materials and connect paraplegic toilet Ceramic. Full set as per attached pic below.</li> </ul> 					
55	<p>Disable signage on the door</p> <p>Remove vinyl floor shitting tile on both ablutions space is 1,75 X 1m</p> <p>Supply and lay SABS approved vinyl shitting (2mm) that match the existing.</p>	02				
56	Remove old damaged fitting and					
56	Supply and install four (04) foot LED	01				
57	Supply and install Sluice Sink – Single Bowl – Model SEL	01				

						
<p>58</p>	<p><b><u>Day ward</u></b></p> <ul style="list-style-type: none"> <li>• Remove old type toilet set and hand it to maintenance department.</li> <li>• Supply and install/replace with new ceramic toilet set</li> <li>• Close-Coupled Suites – Toilets, front flush.</li> <li>• Connect if to an existing sewer line</li> <li>• Supply and install 110mm PVC 2m height to the outside</li> </ul>		<p>01</p>			



KWAZULU-NATAL PROVINCE

HEALTH  
REPUBLIC OF SOUTH AFRICA

**PROVINCE OF KWAZULU-NATAL  
DEPARTMENT OF HEALTH**

**ZNQ NO-----: UTHUK-H- FUNDED FROM CAT "C"  
UTHUK-H- LADYSMITH REGIONAL L HOSP. /23**

APPOINTMENT OF CONTRACTOR TO  
SUPPLY LABOUR AND SABS APPROVED MATERIALS TO RENOVATE ABLUTIONS FOR WARD 9,  
CASUALTY, OPD EYE CLINIC AND DAY WARD FOR LADYSMITH REGIONAL HOSPITAL PREMISES.

**COLLECTION SUMMARY**

**NOTE:**

THIS COLLECTION SUMMARY MUST BE COMPLETED IN FULL BY THE CONTRACTOR  
AND RETURNED TOGETHER WITH THE TENDER FORM.

Collection Summary PS 1	R		
Collection Summary PS 2	R		
SUB-TOTAL "A"	R		
ADD Provision for Value Added Tax Allow 14% of SUB-TOTAL "A"	R		
<b>TOTAL: CARRIED TO TENDER FORM</b>	R		



**KWAZULU-NATAL PROVINCE**

HEALTH  
REPUBLIC OF SOUTH AFRICA

**PROVINCE OF KWAZULU-NATAL  
DEPARTMENT OF HEALTH**

**ZNQ NO-----: UTHUK-H- FUNDED FROM CAT "C"  
UTHUK-H- LADYSMITH REGIONAL L HOSP. /23**

APPOINTMENT OF CONTRACTOR TO  
SUPPLY LABOUR AND SABS APPROVED MATERIALS TO RENOVATE ABLUTIONS FOR WARD 9,  
CASUALTY, OPD EYE CLINIC AND DAY WARD FOR LADYSMITH REGIONAL HOSPITAL PREMISES.

**IMPORTANT**  
*THIS FORM IS ONLY TO BE INCLUDED AND COMPLETED WHEN APPLICABLE TO THE QUOTATION.*

**OFFICIAL BRIEFING SESSION / SITE INSPECTION CERTIFICATE**

Site/building/institution involved:

Quotation No.:

Service:

\*\*\*\*\*

THIS IS TO CERTIFY THAT..... OF (STATE NAME OF  
TENDERER)..... VISITED AND INSPECTED THE SITE  
ON..... (DATE) AND IS THEREFORE FAMILIAR WITH THE CIRCUMSTANCES AND THE SCOPE OF  
THE SERVICE TO BE RENDERED.

.....  
**SIGNATURE OF TENDERER OR AUTHORISED REPRESENTATIVE**

**DATE:** .....

.....  
**SIGNATURE OF DEPARTMENTAL REPRESENTATIVE**

**DEPARTMENTAL STAMP:**

**DATE:** .....

.....  
**SIGNATURE OF DEPARTMENTAL REPRESENTATIVE**

**DEPARTMENTAL STAMP:**

**DATE:** .....



**KWAZULU-NATAL PROVINCE**

HEALTH  
REPUBLIC OF SOUTH AFRICA

**PROVINCE OF KWAZULU-NATAL  
DEPARTMENT OF HEALTH**

**ZNQ NO-----: UTHUK-H- FUNDED FROM CAT "C"  
UTHUK-H- LADYSMITH REGIONAL L HOSP. /23**

APPOINTMENT OF CONTRACTOR TO  
SUPPLY LABOUR AND SABS APPROVED MATERIALS TO RENOVATE ABLUTIONS FOR WARD 9,  
CASUALTY, OPD EYE CLINIC AND DAY WARD FOR LADYSMITH REGIONAL HOSPITAL PREMISES.

**MINIMUM REQUIREMENTS FOR THE PROJECT**

1. CIDB Grading 1GB and 1SO
2. 2X Handing over Certificate for building/refurbishment projects including plumbing
3. 2 X Purchase Order for building/ refurbishment project including plumbing.
4. Artisan Plumber must have trade test and vast experience in plumbing traceable references
5. Valid Tax Clearance Certificate
6. Proof of registration with CSD

**Declaration**

I have read with understanding and agree to all terms and conditions and requirements printed on this document.

I/We undertaken to complete the project within three (06) week

Tenderer \_\_\_\_\_

Signature \_\_\_\_\_ Position \_\_\_\_\_