



KWAZULU-NATAL PROVINCE
HEALTH
REPUBLIC OF SOUTH AFRICA

Quotation Advert

Opening Date: 25/01/2024
Closing Date: 09/02/2024
Closing Time: 11:00 AM

INSTITUTION DETAILS

Institution Name: Christ the King Hospital
Province: KwaZulu-Natal
Department of entity: Department of Health
Division or section: Supply Chain Management
Place where goods/
service is required: Christ the King Hospital
Date Submitted: 25/01/2024

ITEM CATEGORY AND DETAILS

Quotation number: ZNQ: CTK 169-2023-24
Item Category: Services
Item Description: renovation of ablutions and minor repairs at ctk hospital
Quantity (if supplies): as per quotation

COMPULSORY BRIEFING SESSION / SITE VISIT

Select type: Compulsory site meeting
Time: 11h00
Date: 02 February 2024
Venue: CTK ASSEMBLY POINT

QUOTES MUST BE COLLECTED FROM: CTK.SCMQuotations@kznhealth.gov.za

QUOTATION MUST BE DEPOSITED ON THE TENDER BOX SITUATED NEXT TO MAIN GATE AT CHRIST THE KING HOSPITAL, BEFORE THE CLOSING DATE AND TIME OF TENDER

ENQUIRIES REGARDING ADVERT MAY BE DIRECTED TO:

Name: Mr S DLAMINI
Email: scm.ctk@kznhealth.gov.za
Contact number: 039 834 7519

Finance Manager Name: MR B.E-NZIMANDE

Finance Manage signature:

BIDDER'S DISCLOSURE

1 PURPOSE OF THE FORM

Any person (natural or juristic) may make an offer or offers in terms of this invitation to bid. In line with the principles of transparency, accountability, impartiality, and ethics as enshrined in the Constitution of the Republic of South Africa and further expressed in various pieces of legislation, it is required for the bidder to make this declaration in respect of the details required hereunder.

Where a person/s are listed in the Register for Tender Defaulters and / or the List of Restricted Suppliers, that person will automatically be disqualified from the bid process.

2 BIDDER'S DECLARATION

2.1. Is the bidder, or any of its directors / trustees / shareholders / members / partners or any person having a controlling interest¹ in the enterprise, employed by the state? **YES / NO**

2.1.1. If so, furnish particulars of the names, individual identity numbers, and, if applicable, state employee numbers of sole proprietor/ directors / trustees / shareholders / members/ partners or any person having a controlling interest in the enterprise, in table below.

FULL NAME	IDENTITY NUMBER	NAME OF STATE INSTITUTION

2.2. Do you, or any person connected with the bidder, have a relationship with any person who is employed by the procuring institution? **YES / NO**

2.2.1. If so, furnish particulars: _____

2.3. Does the bidder or any of its directors / trustees / shareholders / members / partners or any person having a controlling interest in the enterprise have any interest in any other related enterprise whether or not they are bidding for this contract? **YES / NO**

2.3.1. If so, furnish particulars: _____

3 DECLARATION

I, the undersigned, (name) _____ in submitting the accompanying bid, do hereby make the following statements that I certify to be true and complete in every respect:

- 3.1. I have read and I understand the contents of this disclosure;
- 3.2. I understand that the accompanying bid will be disqualified if this disclosure is found not to be true and complete in every respect;
- 3.3. The bidder has arrived at the accompanying bid independently from, and without consultation, communication, agreement or arrangement with any competitor. However, communication between partners in a joint venture or consortium² will not be construed as collusive bidding.
- 3.4. In addition, there have been no consultations, communications, agreements or arrangements with any competitor regarding the quality, quantity, specifications, prices, including methods, factors or formulas used to calculate prices, market allocation, the intention or decision to submit or not to submit the bid, bidding with the intention not to win the bid and conditions or delivery particulars of the products or services to which this bid invitation relates.
- 3.5. The terms of the accompanying bid have not been, and will not be, disclosed by the bidder, directly or indirectly, to any competitor, prior to the date and time of the official bid opening or of the awarding of the contract.
- 3.6. There have been no consultations, communications, agreements or arrangements made by the bidder with any official of the procuring institution in relation to this procurement process prior to and during the bidding process except to provide clarification on the bid submitted where so required by the institution; and the bidder was not involved in the drafting of the specifications or terms of reference for this bid.
- 3.7. I am aware that, in addition and without prejudice to any other remedy provided to combat any restrictive practices related to bids and contracts, bids that are suspicious will be reported to the Competition Commission for investigation and possible imposition of administrative penalties in terms of section 59 of the Competition Act No 89 of 1998 and or may be reported to the National Prosecuting Authority (NPA) for criminal investigation and or may be restricted from conducting business with the public sector for a period not exceeding ten (10) years in terms of the Prevention and Combating of Corrupt Activities Act No 12 of 2004 or any other applicable legislation.

I CERTIFY THAT THE INFORMATION FURNISHED IN PARAGRAPHS 1, 2 and 3 ABOVE IS CORRECT.

I ACCEPT THAT THE STATE MAY REJECT THE BID OR ACT AGAINST ME IN TERMS OF PARAGRAPH 6 OF PFMA SCM INSTRUCTION 03 OF 2021/22 ON PREVENTING AND COMBATING ABUSE IN THE SUPPLY CHAIN MANAGEMENT SYSTEM SHOULD THIS DECLARATION PROVE TO BE FALSE.

NAME OF BIDDER	SIGNATURE	POSITION	DATE

¹ the power, by one person or a group of persons holding the majority of the equity of an enterprise, alternatively, the person/s having the deciding vote or power to influence or to direct the course and decisions of the enterprise.

² Joint venture or Consortium means an association of persons for the purpose of combining their expertise, property, capital, efforts, skill and knowledge in an activity for the execution of a contract.

GENERAL CONDITIONS OF CONTRACT

NOTES

The purpose of this document is to:

- (i) Draw special attention to certain general conditions applicable to government bids, contracts and orders; and
- (ii) To ensure that clients be familiar with regard to the rights and obligations of all parties involved in doing business with government.

In this document words in the singular also mean in the plural and vice versa and words in the masculine also mean in the feminine and neuter.

- The General Conditions of Contract will form part of all bid/quotation documents and may not be amended.
- Special Conditions of Contract (SCC) relevant to a specific bid, should be compiled separately for every bid (if applicable) and will supplement the General Conditions of Contract. Whenever there is a conflict, the provisions in the SCC shall prevail.

1 Definitions

The following terms shall be interpreted as indicated:

- 1.1. "Closing time" means the date and hour specified in the bidding documents for the receipt of bids.
- 1.2. "Contract" means the written agreement entered into between the purchaser and the supplier, as recorded in the contract form signed by the parties, including all attachments and appendices thereto and all documents incorporated by reference therein.
- 1.3. "Contract price" means the price payable to the supplier under the contract for the full and proper performance of his contractual obligations.
- 1.4. "Corrupt practice" means the offering, giving, receiving, or soliciting of any thing of value to influence the action of a public official in the procurement process or in contract execution.
- 1.5. "Countervailing duties" are imposed in cases where an enterprise abroad is subsidized by its government and encouraged to market its products internationally.
- 1.6. "Country of origin" means the place where the goods were mined, grown or produced or from which the services are supplied. Goods are produced when, through manufacturing, processing or substantial and major assembly of components, a commercially recognized new product results that is substantially different in basic characteristics or in purpose or utility from its components.
- 1.7. "Day" means calendar day.
- 1.8. "Delivery" means delivery in compliance of the conditions of the contract or order.
- 1.9. "Delivery ex stock" means immediate delivery directly from stock actually on hand.
- 1.10. "Delivery into consignees store or to his site" means delivered and unloaded in the specified store or depot or on the specified site in compliance with the conditions of the contract or order, the supplier bearing all risks and charges involved until the supplies are so delivered and a valid receipt is obtained.
- 1.11. "Dumping" occurs when a private enterprise abroad market its goods on own initiative in the RSA at lower prices than that of the country of origin and which have the potential to harm the local industries in the RSA
- 1.12. "Force majeure" means an event beyond the control of the supplier and not involving the supplier's fault or negligence and not foreseeable. Such events may include, but is not restricted to, acts of the purchaser in its sovereign capacity, wars or revolutions, fires, floods, epidemics, quarantine restrictions and freight embargoes.
- 1.13. "Fraudulent practice" means a misrepresentation of facts in order to influence a procurement process or the execution of a contract to the detriment of any bidder, and includes collusive practice among bidders (prior to or after bid submission) designed to establish bid prices at artificial non-competitive levels and to deprive the bidder of the benefits of free and open competition.
- 1.14. "GCC" means the General Conditions of Contract.
- 1.15. "Goods" means all of the equipment, machinery, and/or other materials that the supplier is required to supply to the purchaser under the contract.
- 1.16. "Imported content" means that portion of the bidding price represented by the cost of components, parts or materials which have been or are still to be imported (whether by the supplier or his subcontractors) and which costs are inclusive of the costs abroad, plus freight and other direct importation costs such as landing costs, dock dues, import duty, sales duty or other similar tax or duty at the South African place of entry as well as transportation and handling charges to the factory in the Republic where the supplies covered by the bid will be manufactured.
- 1.17. "Local content" means that portion of the bidding price which is not included in the imported content provided that local manufacture does take place.
- 1.18. "Manufacture" means the production of products in a factory using labour, materials, components and machinery and includes other related value-adding activities.
- 1.19. "Order" means an official written order issued for the supply of goods or works or the rendering of a service.
- 1.20. "Project site," where applicable, means the place indicated in bidding documents.
- 1.21. "Purchaser" means the organization purchasing the goods.
- 1.22. "Republic" means the Republic of South Africa.
- 1.23. "SCC" means the Special Conditions of Contract.
- 1.24. "Services" means those functional services ancillary to the supply of the goods, such as transportation and any other incidental services, such as installation, commissioning, provision of technical assistance, training, catering, gardening, security, maintenance and other such obligations of the supplier covered under the contract.
- 1.25. "Written" or "in writing" means handwritten in ink or any form of electronic or mechanical writing.

2 Application

- 2.1. These general conditions are applicable to all bids, contracts and orders including bids for functional and professional services, sales, hiring, letting and the granting or acquiring of rights, but excluding immovable property, unless otherwise indicated in the bidding documents.
- 2.2. Where applicable, special conditions of contract are also laid down to cover specific supplies, services or works.
- 2.3. Where such special conditions of contract are in conflict with these general conditions, the special conditions shall apply.

3 General

- 3.1. Unless otherwise indicated in the bidding documents, the purchaser shall not be liable for any expense incurred in the preparation and submission of a bid. Where applicable a non-refundable fee for documents may be charged.
- 3.2. With certain exceptions, invitations to bid are only published in the Government Tender Bulletin. The Government Tender Bulletin may be obtained directly from the Government Printer, Private Bag X85, Pretoria 0001, or accessed electronically from www.treasury.gov.za

4 Standards

- 4.1. The goods supplied shall conform to the standards mentioned in the bidding documents and specifications.

5 Use of contract documents and information; inspection.

- 5.1. The supplier shall not, without the purchaser's prior written consent, disclose the contract, or any provision thereof, or any specification, plan, drawing, pattern, sample, or information furnished by or on behalf of the purchaser in connection therewith, to any person other than a person employed by the supplier in the performance of the contract. Disclosure to any such employed person shall be made in confidence and shall extend only so far as may be necessary for purposes of such performance.
- 5.2. The supplier shall not, without the purchaser's prior written consent, make use of any document or information mentioned in GCC clause 5.1 except for purposes of performing the contract.
- 5.3. Any document, other than the contract itself mentioned in GCC clause 5.1 shall remain the property of the purchaser and shall be returned (all copies) to the purchaser on completion of the supplier's performance under the contract if so required by the purchaser.
- 5.4. The supplier shall permit the purchaser to inspect the supplier's records relating to the performance of the supplier and to have them audited by auditors appointed by the purchaser, if so required by the purchaser.

6 Patent rights

- 6.1. The supplier shall indemnify the purchaser against all third-party claims of infringement of patent, trademark, or industrial design rights arising from use of the goods or any part thereof by the purchaser.

7 Performance security

- 7.1. Within thirty (30) days of receipt of the notification of contract award, the successful bidder shall furnish to the purchaser the performance security of the amount specified in SCC.
- 7.2. The proceeds of the performance security shall be payable to the purchaser as compensation for any loss resulting from the supplier's failure to complete his obligations under the contract.
- 7.3. The performance security shall be denominated in the currency of the contract, or in a freely convertible currency acceptable to the purchaser and shall be in one of the following forms:
(a) a bank guarantee or an irrevocable letter of credit issued by a reputable bank located in the purchaser's country or abroad, acceptable to the purchaser, in the form provided in the bidding documents or another form acceptable to the purchaser; or
(b) a cashier's or certified cheque
- 7.4. The performance security will be discharged by the purchaser and returned to the supplier not later than thirty (30) days following the date of completion of the supplier's performance obligations under the contract, including any warranty obligations, unless otherwise specified in SCC.

8 Inspections, tests and analyses

- 8.1. All pre-bidding testing will be for the account of the bidder.
- 8.2. If it is a bid condition that supplies to be produced or services to be rendered should at any stage during production or execution or on completion be subject to inspection, the premises of the bidder or contractor shall be open, at all reasonable hours, for inspection by a representative of the Department or an organization acting on behalf of the Department.
- 8.3. If there are no inspection requirements indicated in the bidding documents and no mention is made in the contract, but during the contract period it is decided that inspections shall be carried out, the purchaser shall itself make the necessary arrangements, including payment arrangements with the testing authority concerned.
- 8.4. If the inspections, tests and analyses referred to in clauses 8.2 and 8.3 show the supplies to be in accordance with the contract requirements, the cost of the inspections, tests and analyses shall be defrayed by the purchaser.
- 8.5. Where the supplies or services referred to in clauses 8.2 and 8.3 do not comply with the contract requirements, irrespective of whether such supplies or services are accepted or not, the cost in connection with these inspections, tests or analyses shall be defrayed by the supplier.
- 8.6. Supplies and services which are referred to in clauses 8.2 and 8.3 and which do not comply with the contract requirements may be rejected.
- 8.7. Any contract supplies may on or after delivery be inspected, tested or analyzed and may be rejected if found not to comply with the requirements of the contract. Such rejected supplies shall be held at the cost and risk of the supplier who shall, when called upon, remove them immediately at his own cost and forthwith substitute them with supplies which do comply with the requirements of the contract. Failing such removal the rejected supplies shall be returned at the suppliers cost and risk. Should the supplier fail to provide the substitute supplies forthwith, the purchaser may, without giving the supplier further opportunity to substitute the rejected supplies, purchase such supplies as may be necessary at the expense of the supplier.
- 8.8. The provisions of clauses 8.4 to 8.7 shall not prejudice the right of the purchaser to cancel the contract on account of a breach of the conditions thereof, or to act in terms of Clause 23 of GCC.

9 Packing

- 9.1. The supplier shall provide such packing of the goods as is required to prevent their damage or deterioration during transit to their final destination, as indicated in the contract. The packing shall be sufficient to withstand, without limitation, rough handling during transit and exposure to extreme temperatures, salt and precipitation during transit, and open storage. Packing, case size and weights shall take into consideration, where appropriate, the remoteness of the goods' final destination and the absence of heavy handling facilities at all points in transit.
- 9.2. The packing, marking, and documentation within and outside the packages shall comply strictly with such special requirements as shall be expressly provided for in the contract, including additional requirements, if any, specified in SCC, and in any subsequent instructions ordered by the purchaser.

10 Delivery and documents

- 10.1. Delivery of the goods shall be made by the supplier in accordance with the terms specified in the contract. The details of shipping and/or other documents to be furnished by the supplier are specified in SCC.
- 10.2. Documents to be submitted by the supplier are specified in SCC.

11 Insurance

- 11.1. The goods supplied under the contract shall be fully insured in a freely convertible currency against loss or damage incidental to manufacture or acquisition, transportation, storage and delivery in the manner specified in the SCC.

12 Transportation

- 12.1. Should a price other than an all-inclusive delivered price be required, this shall be specified in the SCC.

13 Incidental services

- 13.1. The supplier may be required to provide any or all of the following services, including additional services, if any, specified in SCC:
- (a) performance or supervision of on-site assembly and/or commissioning of the supplied goods;
 - (b) furnishing of tools required for assembly and/or maintenance of the supplied goods;
 - (c) furnishing of a detailed operations and maintenance manual for each appropriate unit of the supplied goods;
 - (d) performance or supervision or maintenance and/or repair of the supplied goods, for a period of time agreed by the parties, provided that this service shall not relieve the supplier of any warranty obligations under this contract; and
 - (e) training of the purchaser's personnel, at the supplier's plant and/or on-site, in assembly, start-up, operation, maintenance, and/or repair of the
- 13.2. Prices charged by the supplier for incidental services, if not included in the contract price for the goods, shall be agreed upon in advance by the parties and shall not exceed the prevailing rates charged to other parties by the supplier for similar services.

14 Spare parts

- As specified in SCC, the supplier may be required to provide any or all of the following materials, notifications, and information pertaining to spare parts manufactured or distributed by the supplier:
- 14.1.
- (a) such spare parts as the purchaser may elect to purchase from the supplier, provided that this election shall not relieve the supplier of any warranty obligations under the contract; and
 - (b) in the event of termination of production of the spare parts:
 - (i) Advance notification to the purchaser of the pending termination, in sufficient time to permit the purchaser to procure needed requirements; and
 - (ii) following such termination, furnishing at no cost to the purchaser, the blueprints, drawings, and specifications of the spare parts, if requested.

15 Warranty

- 15.1. The supplier warrants that the goods supplied under the contract are new, unused, of the most recent or current models, and that they incorporate all recent improvements in design and materials unless provided otherwise in the contract. The supplier further warrants that all goods supplied under this contract shall have no defect, arising from design, materials, or workmanship (except when the design and/or material is required by the purchaser's specifications) or from any act or omission of the supplier, that may develop under normal use of the supplied goods in the conditions prevailing in the country of final destination.
- 15.2. This warranty shall remain valid for twelve (12) months after the goods, or any portion thereof as the case may be, have been delivered to and accepted at the final destination indicated in the contract, or for eighteen (18) months after the date of shipment from the port or place of loading in the source country, whichever period concludes earlier, unless specified otherwise in SCC.
- 15.3. The purchaser shall promptly notify the supplier in writing of any claims arising under this warranty.
- 15.4. Upon receipt of such notice, the supplier shall, within the period specified in SCC and with all reasonable speed, repair or replace the defective goods or parts thereof, without costs to the purchaser.
- 15.5. If the supplier, having been notified, fails to remedy the defect(s) within the period specified in SCC, the purchaser may proceed to take such remedial action as may be necessary, at the supplier's risk and expense and without prejudice to any other rights which the purchaser may have against the supplier under the contract.

16 Payment

- 16.1. The method and conditions of payment to be made to the supplier under this contract shall be specified in SCC.
- 16.2. The supplier shall furnish the purchaser with an invoice accompanied by a copy of the delivery note and upon fulfillment of other obligations stipulated in the contract.
- 16.3. Payments shall be made promptly by the purchaser, but in no case later than thirty (30) days after submission of an invoice or claim by the supplier.
- 16.4. Payment will be made in Rand unless otherwise stipulated in SCC.

17 Prices

- 17.1. Prices charged by the supplier for goods delivered and services performed under the contract shall not vary from the prices quoted by the supplier in his bid, with the exception of any price adjustments authorized in SCC or in the purchaser's request for bid validity extension, as the case may be.

18 Contract amendments

- 18.1. No variation in or modification of the terms of the contract shall be made except by written amendment signed by the parties concerned.

19 Assignment

- 19.1. The supplier shall not assign, in whole or in part, its obligations to perform under the contract, except with the purchaser's prior written consent.

20 Subcontracts

- 20.1. The supplier shall notify the purchaser in writing of all subcontracts awarded under this contracts if not already specified in the bid. Such notification, in the original bid or later, shall not relieve the supplier from any liability or obligation under the contract.

21 Delays in the supplier's performance

- 21.1. Delivery of the goods and performance of services shall be made by the supplier in accordance with the time schedule prescribed by the purchaser in the contract.
- 21.2. If at any time during performance of the contract, the supplier or its subcontractor(s) should encounter conditions impeding timely delivery of the goods and performance of services, the supplier shall promptly notify the purchaser in writing of the fact of the delay, its likely duration and its cause(s). As soon as practicable after receipt of the supplier's notice, the purchaser shall evaluate the situation and may at his discretion extend the supplier's time for performance, with or without the imposition of penalties, in which case the extension shall be ratified by the parties by amendment of contract.
- 21.3. No provision in a contract shall be deemed to prohibit the obtaining of supplies or services from a national department, provincial department, or a local authority.
- 21.4. The right is reserved to procure outside of the contract small quantities or to have minor essential services executed if an emergency arises, the supplier's point of supply is not situated at or near the place where the supplies are required, or the supplier's services are not readily available.

- 21.5. Except as provided under GCC Clause 25, a delay by the supplier in the performance of its delivery obligations shall render the supplier liable to the imposition of penalties, pursuant to GCC Clause 22, unless an extension of time is agreed upon pursuant to GCC Clause 21.2 without the application of penalties.
- 21.6. Upon any delay beyond the delivery period in the case of a supplies contract, the purchaser shall, without canceling the contract, be entitled to purchase supplies of a similar quality and up to the same quantity in substitution of the goods not supplied in conformity with the contract and to return any goods delivered later at the supplier's expense and risk, or to cancel the contract and buy such goods as may be required to complete the contract and without prejudice to his other rights, be entitled to claim damages from the supplier.
- 22 Penalties**
- 22.1. Subject to GCC Clause 25, if the supplier fails to deliver any or all of the goods or to perform the services within the period(s) specified in the contract, the purchaser shall, without prejudice to its other remedies under the contract, deduct from the contract price, as a penalty, a sum calculated on the delivered price of the delayed goods or unperformed services using the current prime interest rate calculated for each day of the delay until actual delivery or performance. The purchaser may also consider termination of the contract pursuant to GCC Clause 23.
- 23 Termination for default**
- 23.1. The purchaser, without prejudice to any other remedy for breach of contract, by written notice of default sent to the supplier, may terminate this contract in whole or in part:
- (a) if the supplier fails to deliver any or all of the goods within the period(s) specified in the contract, or within any extension thereof granted by the purchaser pursuant to GCC Clause 21.2;
 - (b) if the Supplier fails to perform any other obligation(s) under the contract; or
 - (c) if the supplier, in the judgment of the purchaser, has engaged in corrupt or fraudulent practices in competing for or in executing the contract.
- 23.2. In the event the purchaser terminates the contract in whole or in part, the purchaser may procure, upon such terms and in such manner as it deems appropriate, goods, works or services similar to those undelivered, and the supplier shall be liable to the purchaser for any excess costs for such similar goods, works or services. However, the supplier shall continue performance of the contract to the extent not terminated.
- 23.3. Where the purchaser terminates the contract in whole or in part, the purchaser may decide to impose a restriction penalty on the supplier by prohibiting such supplier from doing business with the public sector for a period not exceeding 10 years.
- 23.4. If a purchaser intends imposing a restriction on a supplier or any person associated with the supplier, the supplier will be allowed a time period of not more than fourteen (14) days to provide reasons why the envisaged restriction should not be imposed. Should the supplier fail to respond within the stipulated fourteen (14) days the purchaser may regard the intended penalty as not objected against and may impose it on the supplier.
- 23.5. Any restriction imposed on any person by the Accounting Officer / Authority will, at the discretion of the Accounting Officer / Authority, also be applicable to any other enterprise or any partner, manager, director or other person who wholly or partly exercises or exercised or may exercise control over the enterprise of the first-mentioned person, and with which enterprise or person the first-mentioned person, is or was in the opinion of the Accounting Officer / Authority actively associated.
- 23.6. If a restriction is imposed, the purchaser must, within five (5) working days of such imposition, furnish the National Treasury, with the following information:
- (i) the name and address of the supplier and / or person restricted by the purchaser;
 - (ii) the date of commencement of the restriction
 - (iii) the period of restriction; and
 - (iv) the reasons for the restriction.
- These details will be loaded in the National Treasury's central database of suppliers or persons prohibited from doing business with the public sector.
- 23.7. If a court of law convicts a person of an offence as contemplated in sections 12 or 13 of the Prevention and Combating of Corrupt Activities Act, No. 12 of 2004, the court may also rule that such person's name be endorsed on the Register for Tender Defaulters. When a person's name has been endorsed on the Register, the person will be prohibited from doing business with the public sector for a period not less than five years and not more than 10 years. The National Treasury is empowered to determine the period of restriction and each case will be dealt with on its own merits. According to section 32 of the Act the Register must be open to the public. The Register can be perused on the National Treasury website.
- 24 Anti-dumping and countervailing duties and rights**
- 24.1. When, after the date of bid, provisional payments are required, or antidumping or countervailing duties are imposed, or the amount of a provisional payment or anti-dumping or countervailing right is increased in respect of any dumped or subsidized import, the State is not liable for any amount so required or imposed, or for the amount of any such increase. When, after the said date, such a provisional payment is no longer required or any such anti-dumping or countervailing right is abolished, or where the amount of such provisional payment or any such right is reduced, any such favourable difference shall on demand be paid forthwith by the contractor to the State or the State may deduct such amounts from moneys (if any) which may otherwise be due to the contractor in regard to supplies or services which he delivered or rendered, or is to deliver or render in terms of the contract or any other contract or any other amount which may be due to him.
- 25 Force Majeure**
- 25.1. Notwithstanding the provisions of GCC Clauses 22 and 23, the supplier shall not be liable for forfeiture of its performance security, damages, or termination for default if and to the extent that his delay in performance or other failure to perform his obligations under the contract is the result of an event of force majeure.
- 25.2. If a force majeure situation arises, the supplier shall promptly notify the purchaser in writing of such condition and the cause thereof. Unless otherwise directed by the purchaser in writing, the supplier shall continue to perform its obligations under the contract as far as is reasonably practical, and shall seek all reasonable alternative means for performance not prevented by the force majeure event.
- 26 Termination for insolvency**
- 26.1. The purchaser may at any time terminate the contract by giving written notice to the supplier if the supplier becomes bankrupt or otherwise insolvent. In this event, termination will be without compensation to the supplier, provided that such termination will not prejudice or affect any right of action or remedy which has accrued or will accrue thereafter to the purchaser.
- 27 Settlement of Disputes**
- 27.1. If any dispute or difference of any kind whatsoever arises between the purchaser and the supplier in connection with or arising out of the contract, the parties shall make every effort to resolve amicably such dispute or difference by mutual consultation.

- 27.2. If, after thirty (30) days, the parties have failed to resolve their dispute or difference by such mutual consultation, then either the purchaser or the supplier may give notice to the other party of his intention to commence with mediation. No mediation in respect of this matter may be commenced unless such notice is given to the other party.
- 27.3. Should it not be possible to settle a dispute by means of mediation, it may be settled in a South African court of law.
- 27.4. Mediation proceedings shall be conducted in accordance with the rules of procedure specified in the SCC.
- 27.5. Notwithstanding any reference to mediation and/or court proceedings herein,
(a) the parties shall continue to perform their respective obligations under the contract unless they otherwise agree; and
(b) the purchaser shall pay the supplier any monies due the supplier.
- 28 Limitation of liability**
- 28.1. Except in cases of criminal negligence or willful misconduct, and in the case of infringement pursuant to Clause 6;
(a) the supplier shall not be liable to the purchaser, whether in contract, tort, or otherwise, for any indirect or consequential loss or damage, loss of use, loss of production, or loss of profits or interest costs, provided that this exclusion shall not apply to any obligation of the supplier to pay penalties and/or damages to the purchaser; and
(b) the aggregate liability of the supplier to the purchaser, whether under the contract, in tort or otherwise, shall not exceed the total contract price, provided that this limitation shall not apply to the cost of repairing or replacing defective equipment.
- 29 Governing language**
- 29.1. The contract shall be written in English. All correspondence and other documents pertaining to the contract that is exchanged by the parties shall also be written in English.
- 30 Applicable law**
- 30.1. The contract shall be interpreted in accordance with South African laws, unless otherwise specified in SCC.
- 31 Notices**
- 31.1. Every written acceptance of a bid shall be posted to the supplier concerned by registered or certified mail and any other notice to him shall be posted by ordinary mail to the address furnished in his bid or to the address notified later by him in writing and such posting shall be deemed to be proper service of such notice
- 31.2. The time mentioned in the contract documents for performing any act after such aforesaid notice has been given, shall be reckoned from the date of posting of such notice.
- 32 Taxes and duties**
- 32.1. A foreign supplier shall be entirely responsible for all taxes, stamp duties, license fees, and other such levies imposed outside the purchaser's country.
- 32.2. A local supplier shall be entirely responsible for all taxes, duties, license fees, etc., incurred until delivery of the contracted goods to the purchaser.
- 32.3. No contract shall be concluded with any bidder whose tax matters are not in order. Prior to the award of a bid the Department must be in possession of a tax clearance certificate, submitted by the bidder. This certificate must be an original issued by the South African Revenue Services.
- 33 National Industrial Participation (NIP) Programme**
- 33.1. The NIP Programme administered by the Department of Trade and Industry shall be applicable to all contracts that are subject to the NIP obligation.
- 34 Prohibition of Restrictive practices**
- 34.1. In terms of section 4 (1) (b) (iii) of the Competition Act No. 89 of 1998, as amended, an agreement between, or concerted practice by, firms, or a decision by an association of firms, is prohibited if it is between parties in a horizontal relationship and if a bidder (s) is / are or a contractor(s) was / were involved in collusive bidding (or bid rigging).
- 34.2. If a bidder(s) or contractor(s), based on reasonable grounds or evidence obtained by the purchaser, has / have engaged in the restrictive practice referred to above, the purchaser may refer the matter to the Competition Commission for investigation and possible imposition of administrative penalties as contemplated in the Competition Act No. 89 of 1998.
- 34.3. If a bidder(s) or contractor(s), has / have been found guilty by the Competition Commission of the restrictive practice referred to above, the purchaser may, in addition and without prejudice to any other remedy provided for, invalidate the bid(s) for such item(s) offered, and / or terminate the contract in whole or part, and / or restrict the bidder(s) or contractor(s) from conducting business with the public sector for a period not exceeding ten (10) years and / or claim damages from the bidder(s) or contractor(s) concerned.

SPECIAL CONDITIONS OF CONTRACT

1. AMENDMENT OF CONTRACT

- 1.1. Any amendment to or renunciation of the provisions of the contract shall at all times be done in writing and shall be signed by both parties.

2. CHANGE OF ADDRESS

- 2.1. Bidders must advise the Department of Health (institution where the offer was submitted) should their address (domicilium citandi et executandi) details change from the time of bidding to the expiry of the contract.

3. GENERAL CONDITIONS ATTACHED TO THIS QUOTATION

- 3.1. The Department is under no obligation to accept the lowest or any quote.
- 3.2. The Department reserves the right to communicate in writing with vendors in cases where information is incomplete or where there are obscurities regarding technical aspects of the offer, to obtain confirmation of prices or preference claims in cases where it is evident that a typing, written, transfer or unit error has been made, to investigate the vendor's standing and ability to complete the supply/service satisfactorily.
- 3.3. **ALL DECISIONS TAKEN BY THE DEPARTMENT ARE FINAL, INCLUDING THE AWARD OR CANCELLATION OF THIS QUOTATION.**
- 3.4. The price quoted must include VAT (if VAT vendor).
- 3.5. Should a bidder become a VAT vendor after award or during the implementation of a contract, they may not request the VAT percentage from the Department as the service provider made an offer during the period they were not registered as a VAT vendor. The Department is only liable for any VAT from registered VAT vendors as originally stated on the quotation document.
- 3.6. The bidder must ensure the correctness & validity of the quotation:
- (i) that the price(s), rate(s) & preference quoted cover all for the work/item (s) & accept that any mistakes regarding the price (s) & calculations will be at the bidder's risk;
 - (ii) it is the responsibility of the bidder to confirm receipt of their quotation and to keep proof thereof.
- 3.7. The bidder must accept full responsibility for the proper execution & fulfilment of all obligations conditions devolving on under this agreement, as the Principal (s) liable for the due fulfilment of this contract.
- 3.8. This quotation will be evaluated based on the 80/20 points system, specification, correctness of information and/or functionality criteria. All required documentation must be completed in full and submitted.
- 3.9. Offers must comply strictly with the specification.
- 3.10. Only offers that meet or are greater than the specification will be considered.
- 3.11. Late offers will not be considered.
- 3.12. Expired product/s will not be accepted. All products supplied must be valid for a minimum period of six months.
- 3.13. Used/ second-hand products will not be accepted.
- 3.14. A bidder not registered on the Central Suppliers Database or whose verification has failed will not be considered.
- 3.15. All delivery costs must be included in the quoted price for delivery at the prescribed destination.
- 3.16. Only firm prices will be accepted. Such prices must remain firm for the contract period. Non-firm prices (including rates of exchange variations) will not be considered.
- 3.17. In cases where different delivery points influence the pricing, a separate pricing schedule must be submitted for each delivery point.
- 3.18. In the event of a bidder having multiple quotes, only the cheapest according to specification will be considered.
- 3.19. Verification will be conducted to identify if bidders have multiple companies and are cover-quoting for this bid.
- 3.20. In such instances, the Department reserves the right to immediately disqualify such bidders as cover-quoting is an offence that represents both corruption and acquisition fraud.

4. SPECIAL INSTRUCTIONS AND NOTICES TO BIDDERS REGARDING THE COMPLETION OF THIS QUOTATION.

- 4.1. Unless inconsistent with or expressly indicated otherwise by the context, the singular shall include the plural and vice versa and with words importing the masculine gender shall include the feminine and the neuter.
- 4.2. Under no circumstances whatsoever may the quotation/bid forms be retyped or redrafted. Photocopies of the original bid documentation may be used, but an original signature must appear on such photocopies.
- 4.3. The bidder is advised to check the number of pages and to satisfy himself that none are missing or duplicated.
- 4.4. Quotations submitted must be complete in all respects. However, where it is identified that information in a bidder's response, which does not affect the preference points or price, is incomplete in any respect, the said supplier meets all specification requirements and scores the highest points in terms of preference points and price, the Department reserves the right to request the bidder to complete/ submit such information.
- 4.5. Any alteration made by the bidder must be initialled; failure to do so may render the response invalid.
- 4.6. Use of correcting fluid is prohibited and may render the response invalid.
- 4.7. Quotations will be opened in public as soon as practicable after the closing time of quotation.
- 4.8. Where practical, prices are made public at the time of opening quotations.
- 4.9. If it is desired to make more than one offer against any individual item, such offers should be given on a photocopy of the page in question. Clear indication thereof must be stated on the schedules attached.
- 4.10. The Department is under no obligation to pay suppliers in part for work done if the supplier can no longer for fulfil their obligation.

5. SPECIAL INSTRUCTIONS REGARDING HAND DELIVERED QUOTATIONS

- 5.1. Quotation shall be lodged at the address indicated not later than the closing time specified for their receipt, and in accordance with the directives in the quotation documents.
- 5.2. Each quotation shall be addressed in accordance with the directives in the quotation documents and shall be lodged in a separate sealed envelope, with the name and address of the bidder, the quotation number and closing date indicated on the envelope. The envelope shall not contain documents relating to any quotation other than that shown on the envelope. If this provision is not complied with, such quotations/bids may be rejected as being invalid.
- 5.3. All quotations received in sealed envelopes with the relevant quotation numbers on the envelopes are kept unopened in safe custody until the closing time of the quotation/bids. Where, however, a quotation is received open, it shall be sealed. If it is received without a quotation/bid number on the envelope, it shall be opened, the quotation number ascertained, the envelope sealed and the quotation number written on the envelope.
- 5.4. A specific box is provided for the receipt of quotations, and no quotation found in any other box or elsewhere subsequent to the closing date and time of quotation will be considered.

5.6. Quotation documents must not be included in packages containing samples. Such quotations may be rejected as being invalid.

6. SAMPLES

6.1. In the case of the quote document stipulating that samples are required, the supplier will be informed in due course when samples should be provided to the institution. (This decreases the time of safety and storage risk that may be incurred by the respective institution). The bidders sample will be retained if such bidder wins the contract.

(i) If a company/s who has not won the quote requires their samples, they must advise the institution in writing of such.

(ii) If samples are not collected within three months of close of quote the institution reserves the right to dispose of them at their discretion.

6.2. **Samples must be made available when requested in writing or if stipulated on the document.**

If a Bidder fails to provide a sample of their product on offer for scrutiny against the set specification when requested, their offer will be rejected. All

(i) testing will be for the account of the bidder.

7. COMPULSORY SITE INSPECTION / BRIEFING SESSION

7.1. Bidders who fail to attend the compulsory meeting will be disqualified from the evaluation process.

(i) The institution has determined that a compulsory site meeting will not take place.

(ii) Date: _____ / _____ / _____ Time: _____ : _____ Place: _____

Institution Stamp:	Institution Site Inspection / briefing session Official:
	Full Name: _____
	Signature: _____
	Date: _____

8. STATEMENT OF SUPPLIES AND SERVICES

8.1. The contractor shall, when requested to do so, furnish particulars of supplies delivered or services executed. If he/she fails to do so, the Department may, without prejudice to any other rights which it may have, institute inquiries at the expense of the contractor to obtain the required particulars.

9. SUBMISSION AND COMPLETION OF SBD 6.1

9.1. Should a bidder wish to qualify for preference points they must complete a SBD 6.1 document. Failure by a bidder to provide all relevant information required, will result in such a bidder not being considered for preference point's allocation. The preferences applicable on the closing date will be utilized. Any changes after the closing date will not be considered for that particular quote.

10. TAX COMPLIANCE REQUIREMENTS

10.1. In the event that the tax compliance status has failed on CSD, it is the suppliers' responsibility to provide a SARS pin in order for the institution to validate the tax compliance status of the supplier.

10.2. In the event that the institution cannot validate the suppliers' tax clearance on SARS as well as the Central Suppliers Database, the quote will not be considered and passed over as non-compliant according to National Treasury Instruction Note 4 (a) 2016/17.

11. TAX INVOICE

11.1. A tax invoice shall be in the currency of the Republic of South Africa and shall contain the following particulars:

- (i) the name, address and registration number of the supplier;
- (ii) the name and address of the recipient;
- (iii) an individual serialized number and the date upon which the tax invoice
- (iv) a description and quantity or volume of the goods or services supplied;
- (v) the official department order number issued to the supplier;
- (vi) the value of the supply, the amount of tax charged;
- (vii) the words tax invoice in a prominent place.

12. PATENT RIGHTS

12.1. The supplier shall indemnify the KZN Department of Health (hereafter known as the purchaser) against all third-party claims of infringement of patent, trademark, or industrial design rights arising from use of the goods or any part thereof by the purchaser.

13. PENALTIES

13.1. If at any time during the contract period, the service provider is unable to perform in a timely manner, the service provider must notify the institution in writing/email of the cause of and the duration of the delay. Upon receipt of the notification, the institution should evaluate the circumstances and, if deemed necessary, the institution may extend the service provider's time for performance.

13.2. In the event of delayed performance that extends beyond the delivery period, the institution is entitled to purchase commodities of a similar quantity and quality as a substitution for the outstanding commodities, without terminating the contract, as well as return commodities delivered at a later stage at the service provider's expense.

13.3. Alternatively, the institution may elect to terminate the contract and procure the necessary commodities in order to complete the contract. In the event that the contract is terminated the institution may claim damages from the service provider in the form of a penalty. The service provider's performance should be captured on the service provider database in order to determine whether or not the service provider should be awarded any contracts in the future.

13.4. If the supplier fails to deliver any or all of the goods or to perform the services within the period(s) specified in the contract, the purchaser shall, without prejudice to its other remedies under the contract, deduct from the contract price, as a penalty, a sum calculated on the delivered price of the delayed goods or unperformed services using the current prime interest rate calculated for each day of the delay until actual delivery or performance.

14. TERMINATION FOR DEFAULT

- 14.1. The purchaser, without prejudice to any other remedy for breach of contract, by written notice of default sent to the supplier, may terminate this contract in whole or in part:
- (i) if the supplier fails to deliver any or all of the goods within the period(s) specified in the contract,
 - (ii) if the supplier fails to perform any other obligation(s) under the contract; or
 - (iii) if the supplier, in the judgment of the purchaser, has engaged in corrupt or fraudulent practices in competing for or in executing the contract.
- 14.2. In the event the purchaser terminates the contract in whole or in part, the purchaser may procure, upon such terms and in such manner as it deems appropriate, goods, works or services similar to those undelivered, and the supplier shall be liable to the purchaser for any excess costs for such similar goods, works or services.
- 14.3. Where the purchaser terminates the contract in whole or in part, the purchaser may decide to impose a restriction penalty on the supplier by prohibiting such supplier from doing business with the public sector for a period not exceeding 10 years.
15. **THE DEPARTMENT RESERVES THE RIGHT TO PASS OVER ANY QUOTATION WHICH FAILS TO COMPLY WITH THE ABOVE.**

PREFERENCE POINTS CLAIM FORM IN TERMS OF THE PREFERENTIAL PROCUREMENT REGULATIONS 2022

This preference form must form part of all tenders invited. It contains general information and serves as a claim form for preference points for specific goals.

NB: BEFORE COMPLETING THIS FORM, TENDERERS MUST STUDY THE GENERAL CONDITIONS, DEFINITIONS AND DIRECTIVES APPLICABLE IN RESPECT OF THE TENDER AND PREFERENTIAL PROCUREMENT REGULATIONS, 2022

1. GENERAL CONDITIONS

- 1.1. The following preference point systems are applicable to invitations to tender:
- the 80/20 system for requirements with a Rand value of up to R50 000 000 (all applicable taxes included); and
 - the 90/10 system for requirements with a Rand value above R50 000 000 (all applicable taxes included).

1.2. The applicable preference point system for this tender is the 80/20 preference point system.

- 1.3. Points for this tender (even in the case of a tender for income-generating contracts) shall be awarded for:
- (a) Price; and
 - (b) Specific Goals.

1.4. The maximum points for this tender are allocated as follows:

	POINTS
PRICE	80
SPECIFIC GOALS	20
Total points for Price and Specific Goals	100

1.5. Failure on the part of a tenderer to submit proof or documentation required in terms of this tender to claim points for specific goals with the tender, will be interpreted to mean that preference points for specific goals are not claimed.

1.6. The organ of state reserves the right to require of a tenderer, either before a tender is adjudicated or at any time subsequently, to substantiate any claim in regard to preferences, in any manner required by the organ of state.

4. DEFINITIONS

- (a) "tender" means a written offer in the form determined by an organ of state in response to an invitation to provide goods or services through price quotations, competitive tendering process or any other method envisaged in legislation;
- (b) "price" means an amount of money tendered for goods or services, and includes all applicable taxes less all unconditional discounts;
- (c) "rand value" means the total estimated value of a contract in Rand, calculated at the time of bid invitation, and includes all applicable taxes;
- (d) "tender for income-generating contracts" means a written offer in the form determined by an organ of state in response to an invitation for the origination of income-generating contracts through any method envisaged in legislation that will result in a legal agreement between the organ of state and a third party that produces revenue for the organ of state, and includes, but is not limited to, leasing and disposal of assets and concession contracts, excluding direct sales and disposal of assets through public auctions; and
- (e) "the Act" means the Preferential Procurement Policy Framework Act, 2000 (Act No. 5 of 2000).

3. FORMULAE FOR PROCUREMENT OF GOODS AND SERVICES

3.1. POINTS AWARDED FOR PRICE

3.1.1. THE 80/20 OR 90/10 PREFERENCE POINT SYSTEMS

A maximum of 80 or 90 points is allocated for price on the following basis:

$$\begin{array}{ccc}
 \text{80/20} & & \text{90/10} \\
 P_s = 80 \left(1 - \frac{Pt - P_{min}}{P_{min}} \right) & \text{OR} & P_s = 90 \left(1 - \frac{Pt - P_{min}}{P_{min}} \right)
 \end{array}$$

Where

- P_s = Points scored for price of tender under consideration
- P_t = Price of tender under consideration
- P_{min} = Price of lowest acceptable tender

3.2. FORMULAE FOR DISPOSAL OR LEASING OF STATE ASSETS AND INCOME GENERATING PROCUREMENT

3.2.1. POINTS AWARDED FOR PRICE

A maximum of 80 or 90 points is allocated for price on the following basis:

$$\begin{array}{ccc}
 \text{80/20} & & \text{90/10} \\
 P_s = 80 \left(1 + \frac{Pt - P_{max}}{P_{max}} \right) & \text{OR} & P_s = 90 \left(1 + \frac{Pt - P_{max}}{P_{max}} \right)
 \end{array}$$

Where

- P_s = Points scored for price of tender under consideration
- P_t = Price of tender under consideration
- P_{max} = Price of highest acceptable tender

4. POINTS AWARDED FOR SPECIFIC GOALS

- 4.1. In terms of Regulation 4(2); 5(2); 6(2) and 7(2) of the Preferential Procurement Regulations, preference points must be awarded for specific goals stated in the tender. For the purposes of this tender the tenderer will be allocated points based on the goals stated in table 1 below as may be supported by proof/ documentation stated in the conditions of this tender:
- 4.2. In cases where organs of state intend to use Regulation 3(2) of the Regulations, which states that, if it is unclear whether the 80/20 or 90/10 preference point system applies, an organ of state must, in the tender documents, stipulate in the case of—
- (a) an invitation for tender for income-generating contracts, that either the 80/20 or 90/10 preference point system will apply and that the highest acceptable tender will be used to determine the applicable preference point system; or
 - (b) any other invitation for tender, that either the 80/20 or 90/10 preference point system will apply and that the lowest acceptable tender will be used to determine the applicable preference point system,
- then the organ of state must indicate the points allocated for specific goals for both the 90/10 and 80/20 preference point system.

Table 1: Specific goals for the tender and points claimed are indicated per the table below.

Note to tenderers: The tenderer must indicate how they claim points for each preference point system.

The specific goal/s allocated points in terms of this tender	Number of points allocated (80/20 system)	Number of points claimed (80/20 system)
Promotion of South African Owned Enterprises	20	

DECLARATION WITH REGARD TO COMPANY/FIRM

4.3. Name of company/firm: _____

4.4. Company registration number: _____

4.5. TYPE OF COMPANY/ FIRM [tick applicable box]

- Partnership/Joint Venture / Consortium
- One-person business/sole propriety
- Close corporation
- Public Company
- Personal Liability Company (Pty) Limited
- Non-Profit Company
- State Owned Company

4.6. I, the undersigned, who is duly authorised to do so on behalf of the company/firm, certify that the points claimed, based on the specific goals as advised in the tender, qualifies the company/ firm for the preference(s) shown and I acknowledge that:

- i) The information furnished is true and correct;
- ii) The preference points claimed are in accordance with the General Conditions as indicated in paragraph 1 of this form;
- iii) In the event of a contract being awarded as a result of points claimed as shown in paragraphs 1.4 and 4.2, the contractor may be required to furnish documentary proof to the satisfaction of the organ of state that the claims are correct;
- iv) If the specific goals have been claimed or obtained on a fraudulent basis or any of the conditions of contract have not been fulfilled, the organ of state may, in addition to any other remedy it may have –
 - (a) disqualify the person from the tendering process;
 - (b) recover costs, losses or damages it has incurred or suffered as a result of that person's conduct;
 - (c) cancel the contract and claim any damages which it has suffered as a result of having to make less favourable arrangements due to such cancellation;
 - (d) recommend that the tenderer or contractor, its shareholders and directors, or only the shareholders and directors who acted on a fraudulent basis, be restricted from obtaining business from any organ of state for a period not exceeding 10 years, after the audi alteram partem (hear the other side) rule has been applied; and
 - (e) forward the matter for criminal prosecution, if deemed necessary.

SIGNATURE(S) OF TENDERER(S)

SURNAME AND NAME: _____

DATE: _____

ADDRESS: _____

**PROVINCE OF KWAZULU-NATAL
DEPARTMENT OF HEALTH**

ZNQ –

CHRIST THE KING HOSPITAL – RENOVATIONS OF ABLUTIONS AND MINOR REPAIRS AT CHRIST THE KING HOSPITAL.

1.1 SCOPE OF CONTRACT

This Contract is for the execution of the project indicated above.

1.2 CONTRACT DRAWINGS

Drawings attached

1.3 CONDITIONS OF CONTRACT AND PRELIMINARIES

1.3.1 PERIOD OF CONTRACT

Four weeks (04) *Weeks* as the Contract Period for the completion of the Work from date of Site handover.

1.3.2 CONTRACT GUARANTEE:

The Successful Bidder will **NOT** be required to submit a contract guarantee.

1.3.3 GUARANTEE PERIOD

The guarantee period for the completion of the Structural work and all materials must be a minimum of Three (3) Calendar Months from the date of first delivery.

1.3.4 SITE AND MODE OF PROCEDURE

The work contained in this contract will be carried out on the site of the existing **Christ the King Hospital**.

The Bidder is advised that the existing premises will be occupied throughout the period of the contract, and that the minimum amount of disruption to services is of the utmost importance.

Damage to the existing buildings - Bidders to note that any damages done or occurring to any of the buildings will be repaired at the expense of the contractor/ Bidder.

The repairs must be to the satisfaction of the Kwazulu- Natal Department of Health.

Bidders are advised to visit the site prior to tendering and to acquaint themselves with the nature of the work to be done and access to the siting of the existing buildings etc., as no claim whatsoever will be allowed on the grounds of ignorance of the conditions under which the work will executed.

1.3.5 SATISFACTORY INSTALLATION

The whole of the installation shall be carried out in accordance with the South African Bureau of Standards Code of Practice for the application of National Building Regulations, the KZNPA Standard Preambles to all Trades, the KZNPA General Electrical Specification, ICASA, Telecommunications regulations, the South African Bureau of Standards Code of Practice for the Wiring of Premises SABS 0142 and the Occupational Health and Safety Act and Regulations 85/1993 as amended.

Copies of the KZNPA Standard Preambles to all Trades and the KZNPA General Electrical Specification are available at the office of the Secretary for Health – KwaZulu-Natal and can be obtained on request.

1.3.6 CERTIFICATE OF COMPLIANCE

On completion of the service, a copy of the "Certificate of Compliance for Electrical Installation" must be submitted to the office of the Secretary for Health: KwaZulu Natal.

1.3.7 GENERAL

The Bidder's / Contractors will be responsible for all masonry work associated with the electrical installation and making good of all work related to the electrical installation. The patching and painting must be to the satisfaction of the KwaZulu-Natal Department of Health.

PROVINCE OF KWAZULU-NATAL
DEPARTMENT OF HEALTH

ZNQ –

CHRIST THE KING HOSPITAL – RENOVATIONS OF ABLUTIONS AND MINOR
REPAIRS AT CHRIST THE KING HOSPITAL.

TECHNICAL SPECIFICATIONS

2. TECHNICAL SPECIFICATION

2.1 GENERAL

This TECHNICAL SPECIFICATION shall be read in conjunction with all other sections of the SPECIFICATION and cognisance shall be taken of the clauses relevant to this particular installation, whether any specific clauses are referred to or not.

2.2 *Standard Preambles*

This is available from the department on request.

2.3 *Health and Safety Specification*

Health and Safety Plan with Risk assessment schedule is to be compiled taking cognisance of the specific type of patient's that walk around the institution all day. All areas are to be protected at all times from patients falling in. All new and old materials are to be securely stored during construction to eliminate any person from rolling them around or playing inside them.

Grading: 1 GB and Above

CIDB COMPLIANCE

2.4 **Amendments: Functionality in different contracting strategies in line with regulations 4.3.3 of the CIDB regulations, where functionality is evaluated, at least three Persons who are fully conversant with the Technical aspects of the scope of works shall undertake such evaluation.**

2.5 Safety file to be provided by the awarded \contractor (Safety file is compulsory).

**PROVINCE OF KWAZULU-NATAL
DEPARTMENT OF HEALTH**

ZNQ –

CHRIST THE KING HOSPITAL – RENOVATIONS OF ABLUTIONS AND MINOR REPAIRS AT CHRIST THE KING HOSPITAL.

3. SCOPE OF WORK

The work to be carried out under this contract includes the supply of all materials, and including all labour to carry out all electrical work and leaving in service condition to the satisfaction of the Secretary for Health: KwaZulu-Natal.

3.1. The work comprises of

3.3.11 Supply and install the following:

- (a) Alterations.
- (b) Toilets cisterns.
- (c) Lights fittings.
- (d) Soap dispensers.
- (e) Toilet paper rolls.
- (f) Paper towels dispensers
- (g) Locks, indicator bolt.
- (h) Wall tiles
- (i) Solid doors
- (j) Door frames.
- (k) Mirror.
- (l) Vinyl sheeting.
- (m)Painting of ceilings and walls

Note: Work to re measured on completion

Item No	Description			
	<p style="text-align: center;"><u>BILL NO 1</u></p> <p>ALTERATIONS</p> <p>The Tenderer is referred to the relevant Clauses in the Model Preambles to All Trades and to the Supplementary Preambles which are incorporated at the back of these Bills of Quantities.</p> <p>Unless otherwise described the preambles and full descriptions of all items appearing in all the bills of the preceding sections are to apply equally to this section.</p> <p>NOTES</p> <p>The materials to be used and the work to be done are to be similar and equal to the new work Contained in all the subsequent Bills.</p> <p>Unless otherwise described, the preambles and full Descriptions of the items appearing in all the subsequent Bills are to apply equally to this Bill.</p> <p>Items described as to be re-used or to be handed over to the Director are to be carefully dismantled where necessary and stacked on site where directed, and the Contractor will be responsible for their removal and storage until required, and shall make good all items missing, damaged or broken at his own expense.</p> <p>Unless otherwise described, no materials from the alterations shall be re-used in any new work without the written approval of the Director, with the exception of facing bricks required in filling to openings, etc., which may be re-used if free of cracks and chips and properly cleaned of all mortar.</p>			

Item No	Description			
	<p>The Contractor is to take all dimensions affecting the existing buildings on the site as he will be solely responsible for all new work being to the correct sizes.</p> <p>Prices are to include for carting away from site all materials not specifically mentioned as being stored on site for re-use or handed over to the Director and all rubbish, debris, etc., arising from the alterations, etc., and for making good all work damaged or disturbed to the approval of the Director.</p> <p>Tenderers are to include in pricing for the statutory Requirements with regard to the demolition and disposal of asbestos cement material arising from the works.</p> <p><i>All rubbish and debris must be carried away and the site left clean and unencumbered.</i></p> <p>All re use able material will remain the property of the department.</p>			
	ALTERATIONS			

Item no.	Description	Unit	Qty.	Rate	Amount
	Removal of existing work:				
	<u>WARD 14 SURGICAL - TOILET</u>				
1.	toilet pan and toilet cistern (stainless steel) including flush pipe, flexible pipe, elbow corner etc. and make good	no.	01.		
2.	indicator bolt and make good.	no.	01.		
3.	toilet paper roll and make good.	no.	0.1		
4.	wall tiles (2/360 x 600) and make good	m ²	0.43		
	<u>PASSAGE</u>				
5.	wash hand basin (stainless steel) including taps, traps etc. and make it good.	no.	01.		
6.	Wooden doors hinges etc. and make good.	no.	04.		
	<u>SHOWER.</u>				
7.	indicator bolt and make good.	no.	01.		
8.	wall tiles and make good.	m ²	1.16		
	<u>PATIENTS BATHROOM AND TOILETS BIG</u>				
9.	main entrance door, door closer etc. and make good	no.	01.		
10.	Stainless steel, signs or labelling's attached to the door to be re used on the new door.	item	01.		
	<u>TOILET 1</u>				
11.	door frame, door and make good.	no.	01.		
12.	urinary (stainless steel) and make good.	no.	02.		
13.	Waste pipe with the diameter of 50mm and length of 1700mm and make good.	m	1.70		
14.	Wall tiles (2/940 x 120mm) and make good.	m ²	0.23		
15.	tiles, bricks, etc. (200x200mm) in order to expose pipes then seal both shower pipes and make good.	m ²	0.04		
	Carried to Collection Summary				
	Alterations				R

Item no.	Description	Unit	Qty.	Rate	Amount
	Removal of existing work:				
16.	Cut the wall, floor etc. (200 x 200 x 100) in order to join or repair waste (50mm) and unblock the line and make good.	m ³	0.004		
17.	light fitting for the 2d including globe and make good.	no.	01.		
	<u>TOILET 2</u>				
18.	door frame, door and make good	no.	01.		
19.	toilet cistern and flush pipe, flexible pipe, elbow corner etc. and make good	no.	01.		
20.	toilet paper roll holder and make good.	no.	01.		
21.	paper towel and make good	no.	01.		
22.	Wall tiles (840 x 550mm) and make good.	m ²	0.46		
23.	Broken window panes and make good.	no.	01.		
	<u>PATIENTS BATHROOM AND TOILETS SMALL</u>				
24.	Sink stainless steel,4 taps, traps and make good.	no.	01.		
25.	Unblock the sink and make good.	item	01.		
	<u>SLUICE ROOM 1.</u>				
26.	cabinet and make good	no.	01.		
27.	wash hand basin, taps, traps etc. and make good.	no.	01.		
28.	soap dispenser and make it good.	no.	01.		
29.	wall tiles 600x600 and make good	m ²	0.36		
	<u>KITCHEN.</u>				
30	wall tiles (1820x50mm) and make good.	m ²	0.09		
	Carried to Collection Summary				
	Alterations				R

Item no.	Description	Unit	Qty.	Rate	Amount
	Removal of existing work:				
	<u>SHORT STAY</u>				
	<u>MAIN DOOR</u>				
31.	door (1060 X 2060) and make good.	no.	01.		
	<u>TOILET WITH BASIN</u>				
32.	door frame and make good.	no.	01.		
	<u>SHORT STAY WARD (NEXT TO THE DOOR).</u>				
33.	cracked wash hand basin and make good.	no.	01.		
	<u>WARD 16 TOILET.</u>				
34.	wash hand basin and make good	no.	01.		
35.	urinary and make good	no.	01.		
	<u>TO ALL THE WARDS (9 WARDS)</u>				
36.	wash hand basin, pipes, traps etc. and make good	no.	09.		
	Carried to Collection Summary				
	Alterations				R

Item no.	Description	Page	Amount
	<p style="text-align: center;"><u>BILL NO. 1</u></p> <p>Alterations <u>Collection summary</u></p> <p style="text-align: right;">Carried to Final Summary Alterations</p>	<p>7.</p> <p>8.</p> <p>9.</p>	<p style="text-align: right;">R</p>

Item no.	Description	Unit	Qty.	Rate	Amount
	<u>BILL NO. 2</u>				
	CONCRETE , FORMWORK AND REINFORCEMENTS				
	The Tenderer is referred to the relevant clauses in the Specification of Materials and Methods to be used PW371, the Supplementary Preambles and Notes.				
	SUPPLEMENTARY PREAMBLES				
	Curing				
	All concrete is to be effectively cured. Footings and bases are to be kept wet for 7 days. Columns are to be wrapped in plastic for 7 days. Slabs are to be covered with plastic for 7 days.				
	Supply, deliver and cast topping (mixer of river sand and cement with Ratio of 1:3) finished with a neat and smooth power float				
	<u>PATIENTS BATHROOM AND TOILES</u>				
	<u>TOILET 1</u>				
1.	thresholds for the frame (threshold size 820 x 220 x 100)	m ³	0.02		
	<u>TOILET 2</u>				
2.	thresholds for the frame (threshold size 820 x 220 x 100)	m ³	0.02		
	<u>SHORT STAY PATIENTS BATHROOM.</u>				
3.	thresholds for the frame (threshold size 820 x 220 x 100)	m ³	0.02		
	Carried to Final Summary				
	Concrete, Formwork and Reinforcements				R

Item No	Description	Qty	Rate	Amount
	<p style="text-align: center;"><u>BILL NO. 3</u></p> <p>CARPENTRY AND JOINERY</p> <p>PREAMBLES</p> <p>For Preambles refer to "Standard Preambles to all trades - WB20 - 1986"</p> <p>SUPPLEMENTARY PREAMBLES</p> <p>TIMBER</p> <p>All softwood to be South African pine. All hardwood to be Iroko unless otherwise specified.</p> <p>DESCRIPTIONS</p> <p>The term "planted on" shall mean the nailing of one timber member to another.</p> <p>The term "screwed on" shall mean the countersunk screwing of one timber member to another.</p> <p>The term "screwed on and pelleted" shall mean the screwing of one timber member to another with the heads of screws sunk and pelleted.</p> <p>The term "plugged" shall mean the countersunk screwing of a timber member to and including plastic plugs in brickwork or</p> <p>The term "plugged and pelleted" shall mean the screwing of a timber member to and including plastic plugs in brickwork or concrete with heads of screws sunk and pelleted.</p> <p>Descriptions of floors, ceilings, joinery, etc. shall be deemed to include for all square cutting.</p> <p>Carpentry and Joinery</p>			

Item No	Description	Qty	Rate	Amount
	<p>Descriptions of items given in lineal metre shall be deemed to include for mitres, stopped ends, fitted intersections, etc.</p> <p>Descriptions of rounded angles, rebates, grooves, chamfers, moulded edges, etc. shall be deemed to include for angles, ends, etc.</p> <p>PRICES GENERALLY</p> <p>Heads of screws and nails in exposed faces of joinery shall be countersunk and pelleted. All pelleting shall be done with material to suit the exposed face of the component in which it occurs.</p> <p>Prices for plugging are to include for approved patent wall plugs in brickwork or concrete.</p> <p>Prices for eaves covering, ceilings, floors, joinery, etc. are to include for notching and square metre and waste.</p> <p>Prices for material items such as skirtings, cornices, cover strips, edge strips, etc. given in linear metre are to include for mitres, fitted intersections, stopped ends, etc.</p> <p>Prices for labour items such as rounded angles, rebates, grooves, chamfers, moulded edges, etc. given in linear metre are to include for angles, ends, etc.</p> <p>Notes:</p> <ul style="list-style-type: none"> • All doors to be solid doors, with veneer on both sides • Almost all the doors will be purpose made. • All doors consist of stainless steel plates 800 x 830 x 1mm • Thickness of all doors is 40mm <p>Example of solid door (Drawing 2)</p> <p>Carpentry and Joinery</p>			

item no.	Description	Unit	Qty.	Rate	Amount
	<u>BILL NO. 3</u>				
	Supply, deliver and install:				
	<u>WARD 14 SURGICAL</u>				
	<u>Wooden cabinet door, all doors are made up of 20mm laminated SA Pine, two for bottom section of the cabinet and two for the top section of the cabinet. The cabinet is lockable using purpose made galvanized angle iron. Drawing 1</u>				
	<u>Top section doors</u>				
1.	door (1150 wide x 1900 height x 20mm thick).	no.	02.		
	<u>Bottom section doors</u>				
2.	door (1150 wide x 925 height x 20mm thick).	no.	02.		
	<u>PATIENTS BATHROOM AND TOILETS</u>				
	<u>TOILET 1</u>				
3.	Solid door size 813 x 2032	no.	01.		
	<u>TOILET 2</u>				
4.	Solid door size 813 x 2032	no.	01.		
	<u>SLUICE 1</u>				
	<u>Note: all the cabinets, shelves are made up of laminated SA Pine with thickness of 20mm. Doors: laminated SA Pine, thickness 16mm. three holes of concealed hinges on each door. All cabinets consist of 4 mm white back Masonite. Skirting is 100mm. all cabinets, shelving to mounted on the walls. Use rectangular shape corner blocks to assembly the cabinets. Spacing of shelves bottom shelves 400mm. all the top are equal at 232 centre to centre. All cabinets are lockable using purpose made galvanized angle iron. Install the cornice on top of the cabinet. On the top cabinet there is only shelf. Drawing 3</u>				
5.	cabinet 1 size: x1200 wide x 500 thick x 2000 depth mm	no.	01.		
6.	cabinet 2 size: x1200 wide x 500 thick x 2000 depth mm	no.	01.		
	Carried to Collection Summary Carpentry and Joinery				R

Item no.	Description	Unit	Qty.	Rate	Amount
	<u>SHORT STAY</u>				
7.	Solid door (size 1060 x 2060)	no.	01.		
	<u>TOILET WITH BASIN</u>				
8.	Solid door (size 813 x 2032)	no.	01.		
	<u>SLUICE ROOM SHORT STAY.</u>				
	<u>Note: frame to attach doors made up of SA Pine, mounted to the existing cabinet. There is two cabinets and also two frames. Each frame consist of two doors with thickness of 16mm. DRAWING 4.</u>				
9	Frame 1 (1570 wide x 1500 height x 20mm thick)	no.	01.		
10.	Frame 2 (1370 wide x 1500 height x 20mm thick)	no.	01.		
11.	cabinet doors 780 x 1500 x 16mm	no.	02.		
12.	cabinet doors 680 x 1500 x 16mm	no.	02.		
	Carried to Collection summary Carpentry and Joinery				R

Item no.	Description	Page no.	Amount
	<u>BILL NO. 3</u>		
	Carpentry and Joinery		
	<u>Collection summary</u>		
		14.	
		15.	
	Carried to Final Summary Carpentry and Joinery		R

Item no.	Description	Unit	Qty.	Rate	Amount
	<u>BILL NO.4</u> FLOOR COVERING ETC. CPAP WORK GROUP NO. 130 UNLESS OTHERWISE STATED) The Tenderer is referred to the relevant clauses in the Specification of Materials and Methods to be used PW371, the Supplementary Preambles and Notes. Supply, deliver and install: <u>WARD 14 SURGICAL</u> <u>2.5mm vinyl floor sheeting with welded joints colour Herb Green (MS162). Total areas to be covered passage, toilet, dressing room entrance of the shower.</u>				
1.	Vinyl sheeting <u>PATIENTS BATHROOM AND TOILETS</u> <u>2.5mm vinyl floor sheeting with welded joints colour Herb Green (MS162). Total areas to be covered passage, toilet, dressing room entrance of the shower.</u>	m ²	15.31		
2.	Vinyl sheeting <u>SHORT STAY PATIENTS BATHROOM.</u>	m ²	10.95		
3.	thresholds to be painted with 4mm Epoxy Seamless Slip Resistant (threshold size 820 x 220)	m ²	0.18		
	Carried to Final Summary Floor coverings etc.				R

Item no.	Description	Unit	Qty.	Rate	Amount
	<u>BILL NO. 5</u>				
	<u>IRONMONGERY</u>				
	CPAP WORK GROUP NO. 132 UNLESS OTHERWISE STATED)				
	The Tenderer is referred to the relevant clauses in the Specification of Materials and Methods to be used PW371, the Supplementary Preambles and Notes.				
	SUPPLEMENTARY PREAMBLES				
	Finishes to ironmongery				
	Where applicable finishes to ironmongery are indicated by suffixes in accordance with the following list: BS Satin bronze lacquered CH Chromium plated SC Satin chromium plated				
	HINGES, FLOOR SPRING HINGES, BOLTS, PANIC BOLTS, ETC.				
	Supply, deliver and install:				
	<u>WARD 14 SURGICAL</u>				
1.	Complete cylinder lock with thumb turn cylinder handles etc.	no.	01.		
2.	100mm flush or sinkless hinges	no.	08.		
3.	purpose made Galvanized angle iron with thickness of 3mm Drawing 5.	no.	04		
4.	5D63 - Pull handle on 152mm x 76mm modular backplate.	no.	04.		
	Carried to Collection Summary				
	Ironmongery				
					R

Item no.	Description	Unit	Qty.	Rate	Amount
<u>PATIENTS BATHROOM AND TOILETS</u>					
<u>Main entrance door</u>					
5.	Complete cylinder lock with thumb turn cylinder handles etc.	no.	01.		
<u>Toilet 1</u>					
6.	indicator bolt.	no.	01.		
7.	5D63 - Pull handle on 152mm x 76mm modular backplate	no.	02		
<u>Toilet 2</u>					
8.	indicator bolt.	no.	01.		
9.	5D63 - Pull handle on 152mm x 76mm modular backplate	no.	02.		
<u>SLUICE 1</u>					
10.	5D63 - Pull handle on 152mm x 76mm modular backplate	no.	04.		
11.	purpose made Galvanized angle iron with thickness of 3mm Drawing 5.	no.	04		
12.	100mm flush or sinkless hinges	no.	08.		
<u>SHORT STAY PATIENTS BATHROOM</u>					
13.	Complete cylinder lock with thumb turn cylinder handles etc.	no.	01.		
14.	Stainless steel 100mm butt hinges	no.	03.		
<u>Toilet with basin</u>					
15.	indicator bolt.	no.	01.		
16.	5D63 - Pull handle on 152mm x 76mm modular backplate	no.	02.		
Carried to Collection Summary					
Ironmongery					R

Item no.	Description	Unit	Qty.	Rate	Amount
	<u>SLUICE ROOM SHORT STAY</u>				
	<u>For frame and doors</u>				
17.	5D63 - Pull handle on 152mm x 76mm modular backplate	no.	08.		
18.	purpose made Galvanized angle iron with thickness of 3mm Drawing 5.	no.	08.		
19.	spring loaded hinges	no.	12.		
	<u>top cabinets</u>				
20.	5D63 - Pull handle on 152mm x 76mm modular backplate	no.	08.		
21.	purpose made Galvanized angle iron with thickness of 3mm Drawing 5.	no.	04.		
22.	hinges concealed hinges	no.	16.		
	Carried to Collection Summary				
	Ironmongery				R

Item no.	Description	Unit	Qty.	Rate	Amount
	<u>BILL NO. 6</u> STRUCTURAL STEEL WORK CPAP WORK GROUP NO. 136 UNLESS OTHERWISE STATED) The Tenderer is referred to the relevant clauses in the Specification of Materials and Methods to be used PW371, the Supplementary Preambles and Notes. <u>Use stainless steel (304 Grade) door frames with the thickness of 1.6mm. The rest of the frame has to match existing frames. All frames to secured on the wall by using lugs / a mixture of river sand, cement and water on the inside of the frame.</u> Supply, deliver and install stainless steel (304 Grade) door frames				
	<u>PATIENTS BATHROOM AND TOILETS</u> <u>TOILET 1</u>				
1.	Door frame with fan light (opening 2 550 x 870mm)	no.	01.		
	<u>TOILET 2</u>				
2.	Door frame with fan light (opening 2 550 x 870mm).	no.	01.		
	<u>SHORT STAY PATIENTS BATHROOM</u> <u>Toilet with Basin</u>				
3.	Door frame with fan light (opening 2 050 X 840mm).	no.	01.		
	Carried to Final Summary Structural Steel Work				R

Item no.	Description	Unit	Qty.	Rate	Amount
	<u>BILL NO. 7</u>				
	PLASTERING				
	The Tenderer is referred to the relevant Clauses in the Model Preambles to all Trades and to the Supplementary Preambles which are incorporated at the back of these Bills of Quantities and amendments in the following addendum clauses.				
	Render one coat plaster composed of four parts sand to one part cement steel trowelled to a smooth even surface. The thickness of the plaster is 15mm				
	Plaster to be applied to along the frame 100 mm wide from the new frame.				
	<u>PATIENTS BATHROOM AND TOILETS</u>				
	<u>TOILET 1</u>				
	On the wall.	m ²	0.50		
	<u>TOILET 2</u>				
	On the wall.	m ²	0.50		
	<u>SHORT STAY PATIENTS BATHROOM</u>				
	<u>Toilet with basin</u>				
	On the wall.	m ²	0.50		
	Carried to Final Summary Plastering.				R

Item no.	Description	Unit	Qty.	Rate	Amount
	<u>BILL NO. 8</u>				
	<p><u>TILING.</u></p> <p>CPAP WORK GROUP NO. 144 UNLESS OTHERWISE STATED)</p> <p>The Contractor is referred to the relevant Clauses in the separate document Specifications of Materials and Methods to be Used (PW 371) Fourth Revision October 1993.</p> <p>SUPPLEMENTARY PREAMBLES</p> <p>Descriptions</p> <p>Unless described as "fixed with adhesive to plaster (plaster elsewhere)" descriptions of tiling on brick or concrete walls, columns, etc. shall be deemed to include 1:4 cement plaster backing and descriptions of tiling on concrete floors etc. shall be deemed to include 1:3 plaster bedding</p> <p>Supply, deliver and install:</p> <p>WALL TILING TO MATCH THE EXISTING TILES or 200 x 200 x 6mm 'Johnson Matisse' white matt glazed ceramic tile fixed with an approved adhesive and jointed and pointed in tinted mortar grout, use tiles for the skirting.</p>				
	<u>WARD 14 SURGICAL</u>				
	<u>Toilet</u>				
1.	Wall tiles (360x600).	m ²	0.22		
	<u>Shower</u>				
2.	Wall tiles (1320x1570)	m ²	2.07		
	<u>passage</u>				
3.	Wall tiles (300x600)	m ²	0.18		
	Carried to Collection Summary. Tiling.				R

Item no.	Description	Unit	Qty.	Rate	Amount
<u>PATIENTS BATHROOM AND TOILETS (BIG)</u>					
	<u>Toilet 1</u>				
1.	Wall tiles (2/940x120).	m ²	0.23		
	<u>Toilet 2</u>				
2.	Wall tiles (840x1550)	m ²	0.46		
<u>PATIENTS BATHROOM AND TOILETS (SMALL)</u>					
3.	Wall tiles (2/750x300).	m ²	0.23		
<u>SLUICE 1</u>					
4.	Wall tiles (600x600).	m ²	0.36		
<u>KITCHEN</u>					
5.	Wall tiles (1820x800) + (450x450).	m ²	1.66		
<u>WARD 16 TOILET</u>					
	<u>Shower 1.</u>				
6.	Wall tiles (1015x1070).	m ²	1.09		
	<u>Shower 2.</u>				
7.	Wall tiles (1400x1100).	m ²	1.54		
	<u>Wash hand basin area</u>				
8.	Wall tiles (190x850).	m ²	0.77		
Carried to Collection Summary.					
Tiling.					R

Item no.	Description	Unit	Qty.	Rate	Amount
	<u>BILL NO.9</u>				
	PLUMBING AND DRAINAGE				
	The Tenderer is referred to the relevant clauses in the Specification of Materials and Methods to be used PW371, the Supplementary Preambles and Notes.				
	SUPPLEMENTARY PREAMBLES				
	<u>Note that elbow action taps must be positioned at 45° degrees from back wall in the shut position and open inwards</u>				
	Supply, deliver and install:				
	<u>WARD 14 SURGICAL</u>				
	<u>Toilet.</u>				
	<u>vaal aquasave toilet cistern; sub category : cistern; Package height: 330mm; Package : with: 160mm Package length: 400mm; Material plastic and colour: white. Installation include all inner parts and flush pipe.</u>				
1.	toilet cistern and the pan.	no.	01.		
	<u>For the supply of cold water to the cistern use 460 c pipe class 2 with relevant joints (compression)</u>				
2.	15mm stop cork cc.	no.	01.		
3.	15mm elbow corner 90° cc	no.	01.		
	<u>powder coated mild steel toilet roll holder round, colour white. Wall mounted, lockable and to hold 3 toilet papers</u>				
4.	Toilet roll holder round	no.	01.		
	Carried to Collection Summary				
	Plumbing and Drainage				
					R

Item no.	Description	Unit	Qty.	Rate	Amount
	<u>BILL NO.9</u>				
	<u>Sola 630 Medical basin – 702800. Height of the basin from the floor is 950mm</u>				
1.	sola 630 medical basin - 702800	no.	01.		
2.	medical mixer – 515/055H-21	no.	01.		
3.	chrome plated bottle trap (340)	no	01.		
	<u>Manual soap dispenser top up, capacity 1 000ml, lockable and bottle with nozzle inside</u>				
4.	soap dispenser.	no.	01.		
	<u>folded paper towel dispenser – wall mounted unit – white by foamy and lockable</u>				
5.	paper towel.	no.	01.		
	<u>DRESSING ROOM</u>				
	<u>Note: rails to match existing rail</u>				
6.	Rail with the length of 900mm	m	0.90		
7.	Rail with length of 600mm	m	0.60		
	<u>TO BE INSTALLED TO ALL WARDS (9 WARDS)</u>				
	<u>Sola 630 Medical basin – 702800. Height of the basin from the floor is 950mm</u>				
8.	sola 630 medical basin - 702800	no.	09.		
9.	medical mixer – 515/055H-21	no.	09.		
10.	chrome plated bottle trap (340)	no	09.		
	Carried to Collection Summary				
	Plumbing and Drainage				R

Item no.	Description	Unit	Qty.	Rate	Amount
<u>PATIENTS BATHROOM AND TOILETS (BIG)</u>					
<u>Toilet 1</u>					
<u>Urinal ceramic ceramic, colour white</u>					
Product width in cm : 30.00					
Product height in cm : 40.00					
Product depth in cm : 23.50					
11.	Urinal	no.	01.		
12.	50mm PVC pipe 87° bend for the waste pipe with inspection eye.	no.	01.		
13.	50mm PVC waste pipe.	m	1.70		
14.	50mm PVC socket white.	no.	01.		
15.	15mm stop end cc (to Seal the shower supply of water).	no.	01.		
16.	15mm stop end cc.	no.	01.		
<u>Toilet 2</u>					
<u>vaal aquasave toilet cistern; sub category : cistern;</u>					
<u>Package height: 330mm; Package : with: 160mm</u>					
<u>Package length: 400mm; Material plastic and colour: white. Installation include all inner parts and flush pipe.</u>					
17.	toilet cistern and the pan.	no.	01.		
<u>Manual soap dispenser top up, capacity 1 000ml, lockable and bottle with nozzle inside</u>					
18.	soap dispenser.	no.	01.		
<u>folded paper towel dispenser – wall mounted unit – white by foamy and lockable</u>					
19.	paper towel.	no.	01.		
Carried to Collection Summary					
Plumbing and Drainage					R

Item no.	Description	Unit	Qty.	Rate	Amount
	<u>PATIENTS BATHROOM AND TOILETS (SMALL)</u>				
	<u>Sola 630 Medical basin – 702800. Height of the basin from the floor is 950mm</u>				
20.	sola 630 medical basin - 702800	no.	01.		
21.	medical mixer – 515/055H-21	no.	01.		
22.	chrome plated bottle trap (340)	no.	01.		
	<u>SLUICE 1</u>				
	<u>Sola 630 Medical basin – 702800. Height of the basin from the floor is 950mm</u>				
23.	sola 630 medical basin - 702800	no.	01.		
24.	medical mixer – 515/055H-21	no.	01.		
25.	chrome plated bottle trap (340)	no.	01		
	<u>For the supply of water cold and hot water use 460 c pipe class 2 with relevant joints (compression)</u>				
26.	copper with diameter of 15mm	m	1.		
27.	15mm stop cork cc.	no.	01.		
	<u>Manual soap dispenser top up, capacity 1 000ml, lockable and bottle with nozzle inside</u>				
28.	soap dispenser.	no.	01.		
	<u>folded paper towel dispenser – wall mounted unit – white by foamy and lockable</u>				
29.	paper towel.	no.	01.		
	<u>powder coated mild steel toilet roll holder round, colour white. Wall mounted, lockable and to hold 3 toilet papers</u>				
30.	Toilet roll holder round	no.	01.		
	Carried to Collection Summary				
	Plumbing and Drainage				R

Item no.	Description	Unit	Qty.	Rate	Amount
	<u>KITCHEN</u>				
31.	<p><u>Single bowl stainless steel kitchen sink 1000mm length x 500mm wide. Steel grading 304 stainless steel.</u> <u>Waste and overflow pipework to be included</u> <u>Allow for the suitable brackets to install the sinks</u></p> <p>Sink</p> <p><u>Note that elbow action taps must be positioned at 45⁰ degrees from back wall in the shut position and open inwards</u></p> <p><u>Medical Elbow Action – pillar Taps Chrome (clockwise and ant clockwise) one set required</u></p>	no.	01.		
32.	medical Elbow Action pillar taps	no.	01.		
30.	15mm stop cork cc.	no.	0.1		
	<u>SHORT STAY PATIENTS BATHROOM</u>				
33.	<p><u>Wash hand basin to match the existing wash hand basin including existing taps</u></p> <p>wash hand basin.</p>	no.	01.		
	<u>WARD 16 TOILET</u>				
34.	<p><u>Sola 630 Medical basin – 702800. Height of the basin from the floor is 950mm</u></p> <p>sola 630 medical basin - 702800</p>	no.	01.		
35.	medical mixer – 515/055H-21	no.	01.		
36.	chrome plated bottle trap (340)	no.	01.		
37.	<p><u>Urinal ceramic ceramic, colour white</u></p> <p>Product width in cm : 30.00 Product height in cm : 40.00 Product depth in cm : 23.50</p> <p>Urinal</p>	no.	01.		
	Carried to Collection Summary Plumbing and Drainage				R

Item no.	Description	Page no.	Amount
	<u>BILL NO. 9</u>		
	Plumbing and Drainage		
	<u>Collection summary</u>		
		27.	
		28.	
		29	
		30.	
		31.	
	Carried to Final Summary Plumbing and Drainage		R

Item no.	Description	Unit	Qty.	Rate	Amount
1.	<p style="text-align: center;"><u>BILL NO. 10</u></p> <p>ELECTRICAL WORK</p> <p>The Tenderer is referred to the relevant Clauses in the Model Preambles to All Trades and to the Supplementary Preambles which are incorporated at the back of these Bills of Quantities. All spares to be SABS approved</p> <p>Supply, deliver and install:</p> <p style="text-align: center;"><u>PATIENTS BATHROOM AND TOILETS BIG</u></p> <p style="text-align: center;"><u>Toilet 2</u></p> <p>Surface mounted, .2D 16w clear white bulkhead 266dia x 67 ip54. Include one globe</p> <p>light fitting.</p> <p>Carried to Final Summary Electrical work</p>	no.	01.		R

Item no.	Description	Unit	Qty.	Rate	Amount
1.	<p style="text-align: center;"><u>BILL NO. 11</u></p> <p>GLAZING</p> <p>The Tenderer is referred to the relevant clauses in the Specification of Materials and Methods to be used PW371, the Supplementary Preambles and Notes.</p> <p>The glazing and fixing of glass in buildings shall be in accordance with SANS. Code of practice 0317. All laminated safety Glass is to have the manufacturer's name or motif sand-blasted in one corner of each pane.</p> <p>Supply, deliver and install: shutter proof glass with the thickness of 4 mm</p> <p style="text-align: center;"><u>PATIENTS BATHROOM AND TOILETS BIG</u></p> <p style="text-align: center;"><u>Toilet 2</u></p> <p>window pane exceeding 2m² but not exceeding 4m²</p> <p><u>MIRRORS.</u></p> <p>Mirror to be installed in the following areas:</p> <ul style="list-style-type: none"> • ward 14 surgical. • Patients bathroom toilet. • Sluice 1 short stay patients bathroom. • Ward 16 toilet. <p>Mirror: - heavy duty 400x500x15mm grade 18/10 stainless steel screwed to wall, to be screwed on top of the wash hand basin.</p>	no.	02.		
2.	<p>mirror</p>	no.	04.		
	<p>Carried to Final Summary Glazing.</p>				R

Item No.	Description	Unit	Qty.	Rate	Amount
	<p style="text-align: center;"><u>BILL NO. 12</u></p> <p>PAINT WORK</p> <p>(WORK GROUP NO. 152)</p> <p>PREAMBLES</p> <p>For Preambles refer to "Standard Preambles to all trades - WB20 – 1986</p> <p>SUPPLEMENTARY PREAMBLES</p> <p>DESCRIPTIONS</p> <p>Descriptions of paintwork shall be deemed to include for all cutting in</p> <p>Proprietary Items</p> <p>Proprietary items or materials where specified are to be of the brand specified - or other approved - by Head: Works</p> <p>PREPARATORY WORK TO EXISTING WORK</p> <p>Surfaces or plaster shall be dry completely before any paint is applied. Use anti bacteria paint for the kitchen.</p> <p style="text-align: center;"><u>PAINT DETAILS:</u></p> <p>ceiling white mouldshield & anti-bacterial technology</p> <ul style="list-style-type: none"> ➤ Superior hiding power ➤ Ultra white high performance ceiling paint ➤ 10-year guarantee against mould growth* <p>Note: All the Rooms, including the bathrooms the ceiling must be painted with the above paint.</p> <p><u>DOORS PAINT</u></p> <p>Paint: Colour white, solvent based, smooth finish & 5 year warranty. Paint all the sides of the door including the bottom section of the door</p> <p><u>WALL PAINT</u></p> <ul style="list-style-type: none"> ➤ Moisture, steam & mould resistance ➤ Exceptionally durable ➤ 10 years warranty. ➤ Water based. Colour: cream. <p>Paint work</p>				

Item no.	Description	Unit	Qty.	Rate	Amount
	Supply, deliver and paint: <u>WARD 14 SURGICAL.</u> <u>Areas to be painted Passage, dressing room and shower.</u>				
1.	ceiling.	m ²	10.15		
2.	walls.	m ²	32.51		
	<u>PATIENTS BATHROOM AND TOILETS (BIG).</u> <u>Areas to be painted toilet 1, toilet 2 and passage.</u>				
3.	ceiling.	m ²	10.95		
4.	walls.	m ²	36.23		
	<u>WARD 16 TOILET).</u> <u>Areas to be painted toilet and showers.</u>				
5.	ceiling.	m ²	6.58		
6.	walls.	m ²	10.87		
7.	Doors (shower and toilet).	m ²	7.		
8.	Fanlight window.	m ²	0.45		
	<u>SHORT STAY PATIENTS BATHROOM</u>				
9.	Painting along the new frame.	m ²	0.59		
	Carried to Final Summary Painting.				R

Item no.	Description	Page	Amount
<u>Final Summary</u>			
01.	Alterations.	10.	
02.	Concrete, Formwork and Reinforcements.	11.	
03.	Carpentry and Joinery.	16.	
04.	Floor Coverings etc.	17.	
05.	Ironmongery.	21.	
06.	Structural Steel Work.	22.	
07.	Plastering.	23.	
08.	Tiling.	26.	
09.	Plumbing and Drainage.	32.	
10.	Electrical Work.	33	
11.	Glazing.	34.	
12.	Paint Work	36.	

The following documents must be returned with the quotation:

- CIDB Registration certificate under 1 GB and above
- Valid Tax Clearance

COMPILED BY: C.B. Ngcobo 
CHIEF WORKS INSPECTOR AT HARRY GWALA HEALTH DISTRICT

CHECKED BY: B.J ZINDELA 
DISTRICT ENGINEER AT HARRY GWALA HEALTH DISTRICT

IMPORTANT

THIS FORM IS ONLY TO BE INCLUDED AND COMPLETED WHEN APPLICABLE TO THE QUOTATION.

OFFICIAL BRIEFING SESSION / SITE INSPECTION CERTIFICATE

Site/building/institution involved: **CHRIST THE KING HOSPITAL.**
Quotation No.: **ZNQ –**
Service: **RENOVATIONS OF ABLUTIONS AND MINOR REPAIRS AT CHRIST THE KING HOSPITAL.**

THIS IS TO CERTIFY THAT..... OF (STATE NAME OF TENDERER) VISITED AND INSPECTED THE SITE ON (DATE) AND IS THEREFORE FAMILIAR WITH THE CIRCUMSTANCES AND THE SCOPE OF THE SERVICE TO BE RENDERED.

.....
SIGNATURE OF TENDERER OR AUTHORISED REPRESENTATIVE

DATE :.....

.....
SIGNATURE OF DEPARTMENTAL REPRESENTATIVE

DEPARTMENTAL STAMP:

DATE :.....



Physical address: 111 main road, Ixopo 3276
Tel: 039 834 82800 Fax 039 834 1746 Email: evanjan.nkomo@kznhealth.gov.za
www.kznhealth.gov.za

RENOVATIONS OF ABLUTIONS AND MINOR REPAIRS AT CHRIST THE KING HOSPITAL.

Evaluation Criteria	Deliverables	Points No submission 0	Sub-Criteria	Point obtained by Contract
Financial Capability to start the project	Submission of proof of available capital and proof of credit limit that can be obtained from financial institutions	40.	Proof of capital of at least 60% of the amount quoted for or proof in a form of an official letter from the financial institution stipulating the credit limit	
Availability of qualified Plumber and Carpenter.	Bidder is to demonstrate knowledge and understanding of the service by Submission of relevant and legal certificate of trade (Plumbing and Carpentry).	40. Both trades = 40 Submission one trade 0	Submission of both relevant trades Plumbing and Carpentry for verification. The qualifications must belong to the artisan which is going to execute the work / shareholder / Director	
Company's Past Experience	Submission of the Company's past experience in executing projects	20.	Bidder should submit at least one (1) verifiable, orders orders and completion certificate (Plumbing). <i>JK</i>	
Total	100			

Minimum points required is ~~80%~~ 80% *JK*

On appointment compliance with the following:

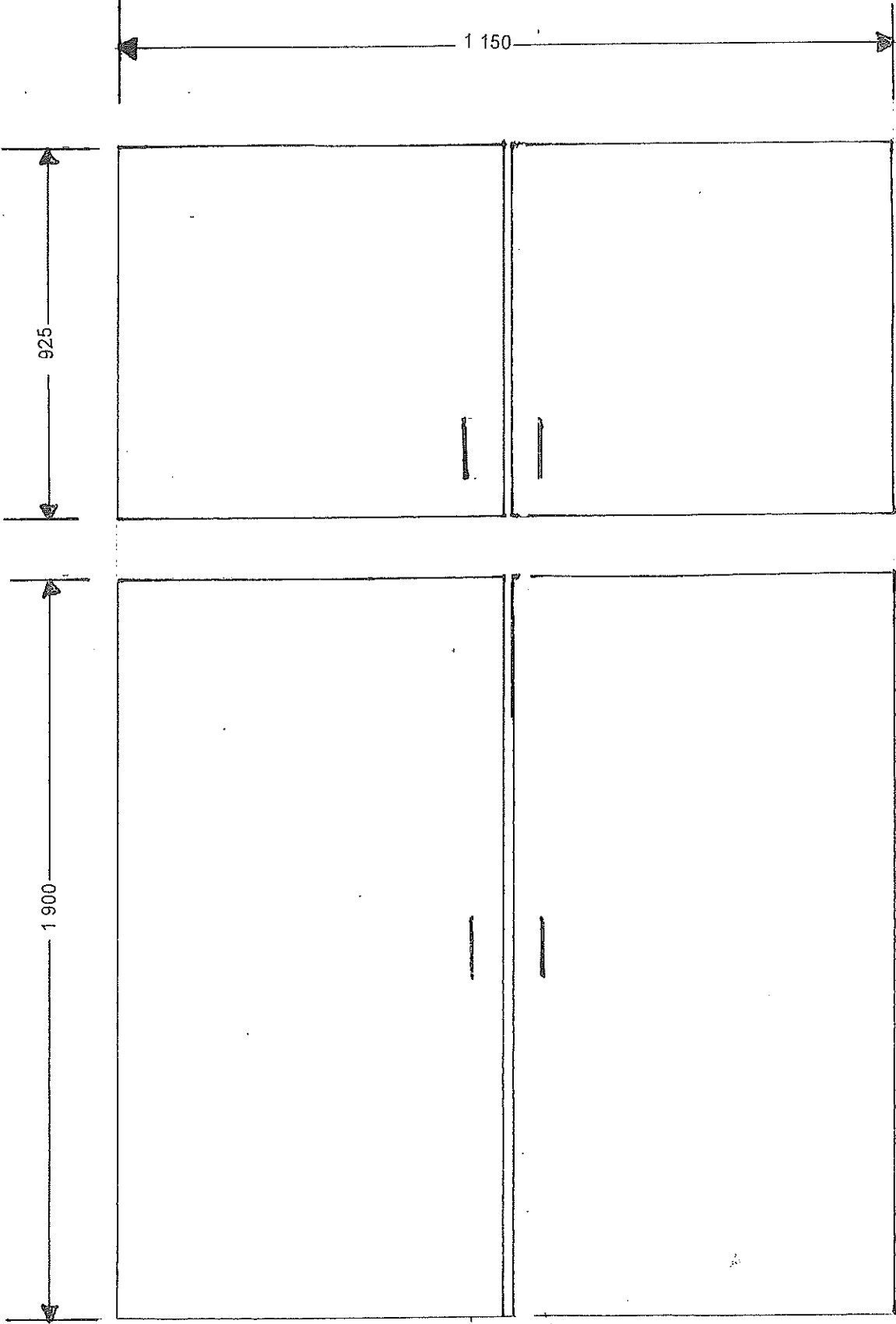
- Submission of site specific health and safety file.
- Covid 19 compliance
- Signing of site hand over certificate.
- Contractors staff to have identifiable workwear.
- Compliance with EPWP requirements.
- Submission of contractors program.
- Penalties will be imposed on defaulting contractors, formula as follows (0.00275 x total cost) = cost per day
- Contractors are requested to sign this document.

CONTRACTOR DETAILS

Initials and Surname: _____ Signature _____

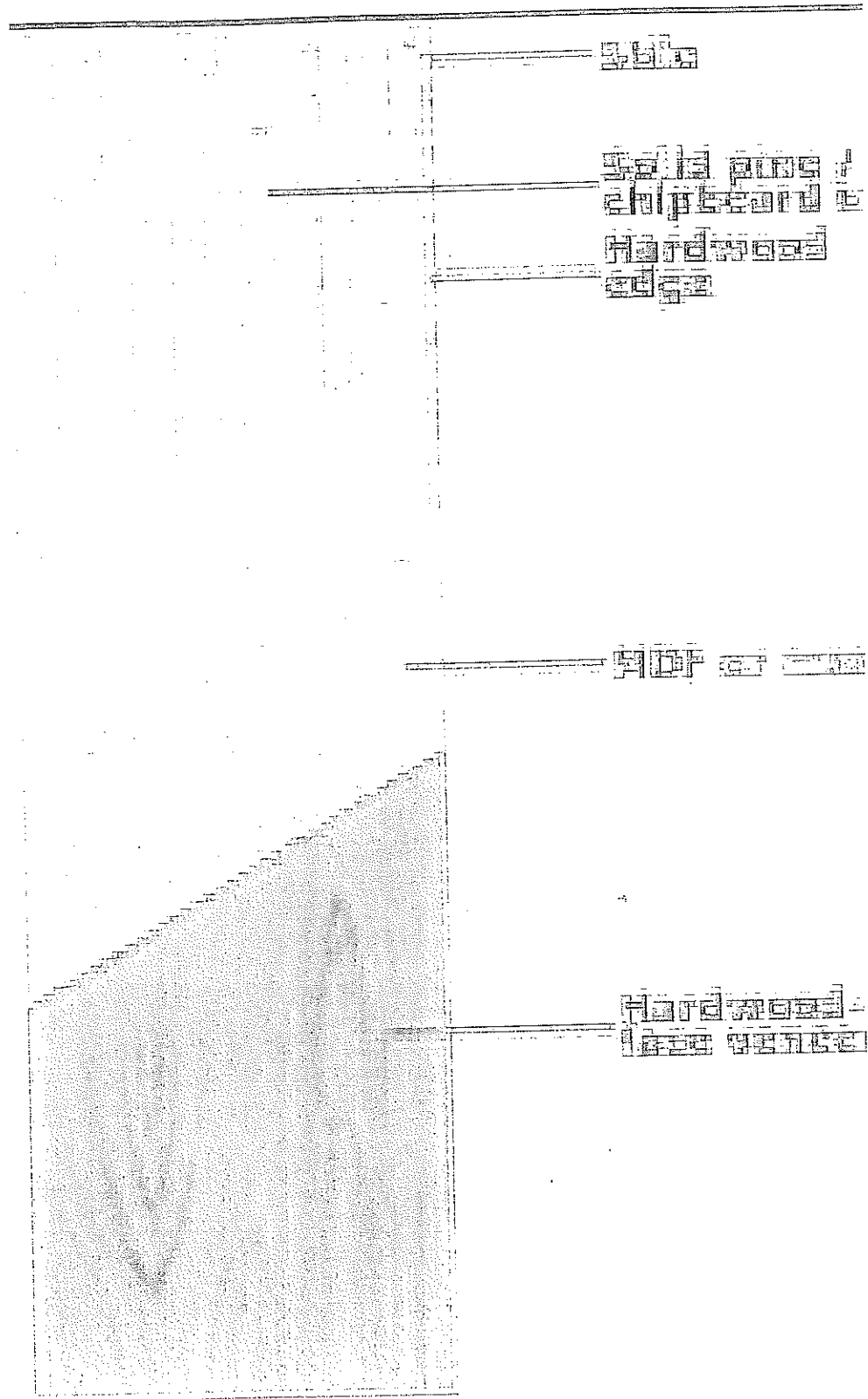
Note: the Safety file is required within 03 working days after the Contractor has been awarded

Christ the King Hospital.



Drawing 1.

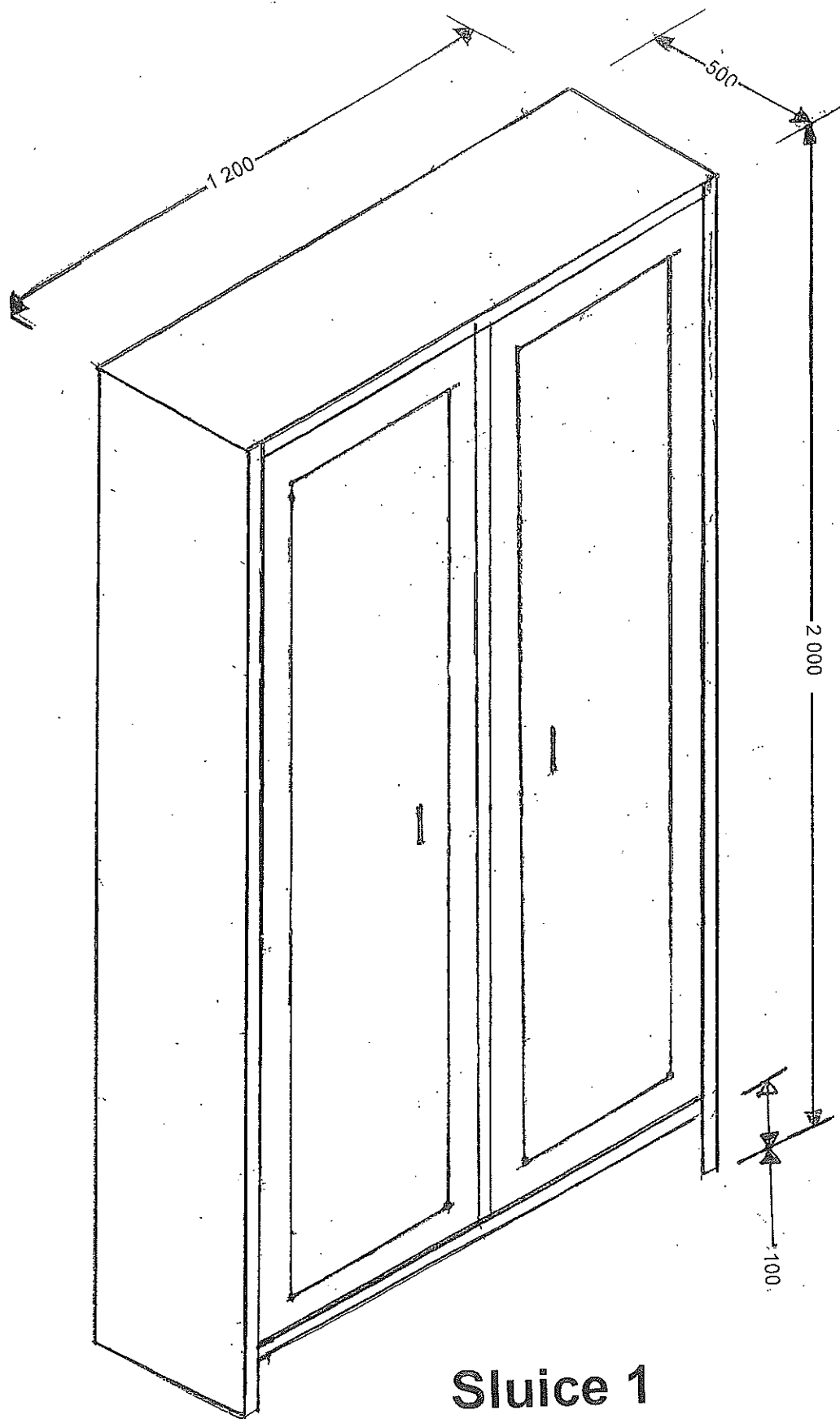
Christ the King Hospital.



Solid door

Drawing 2.

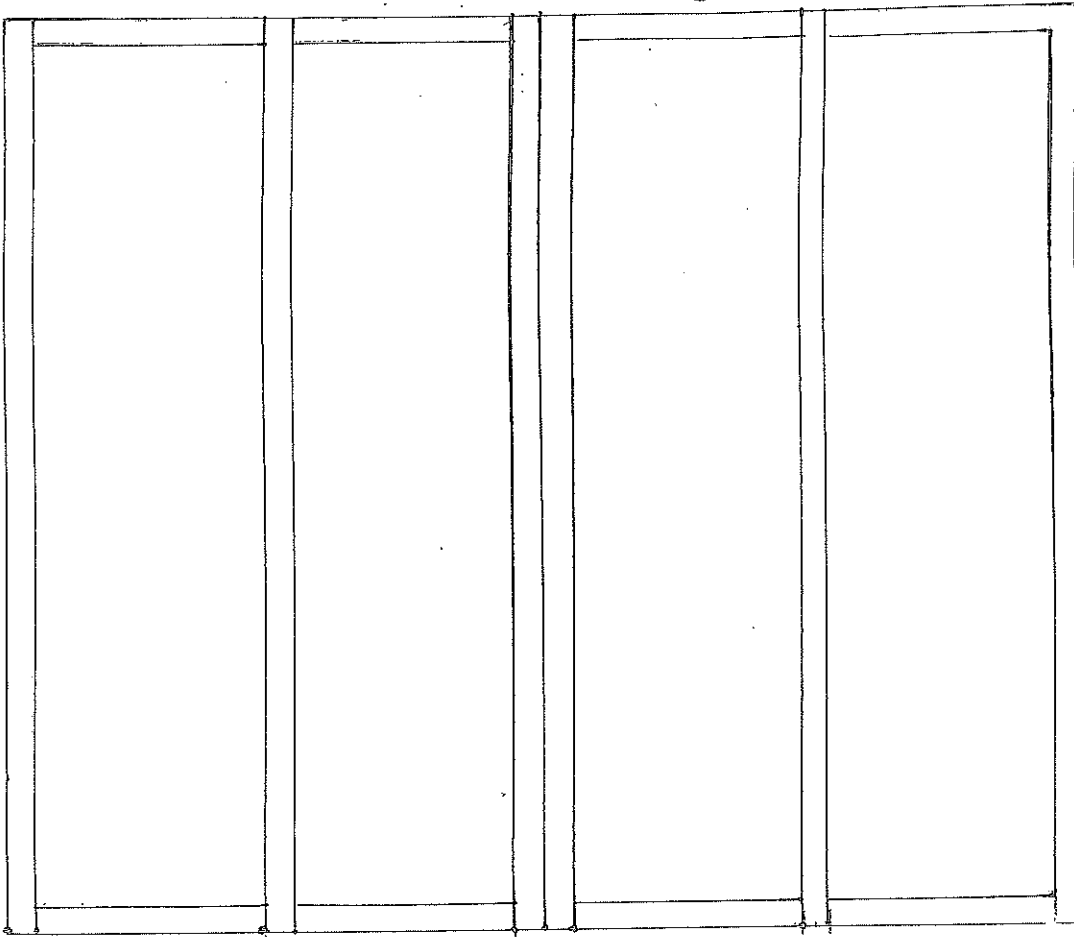
Christ the King Hospital.



Sluice 1

Drawing 3.

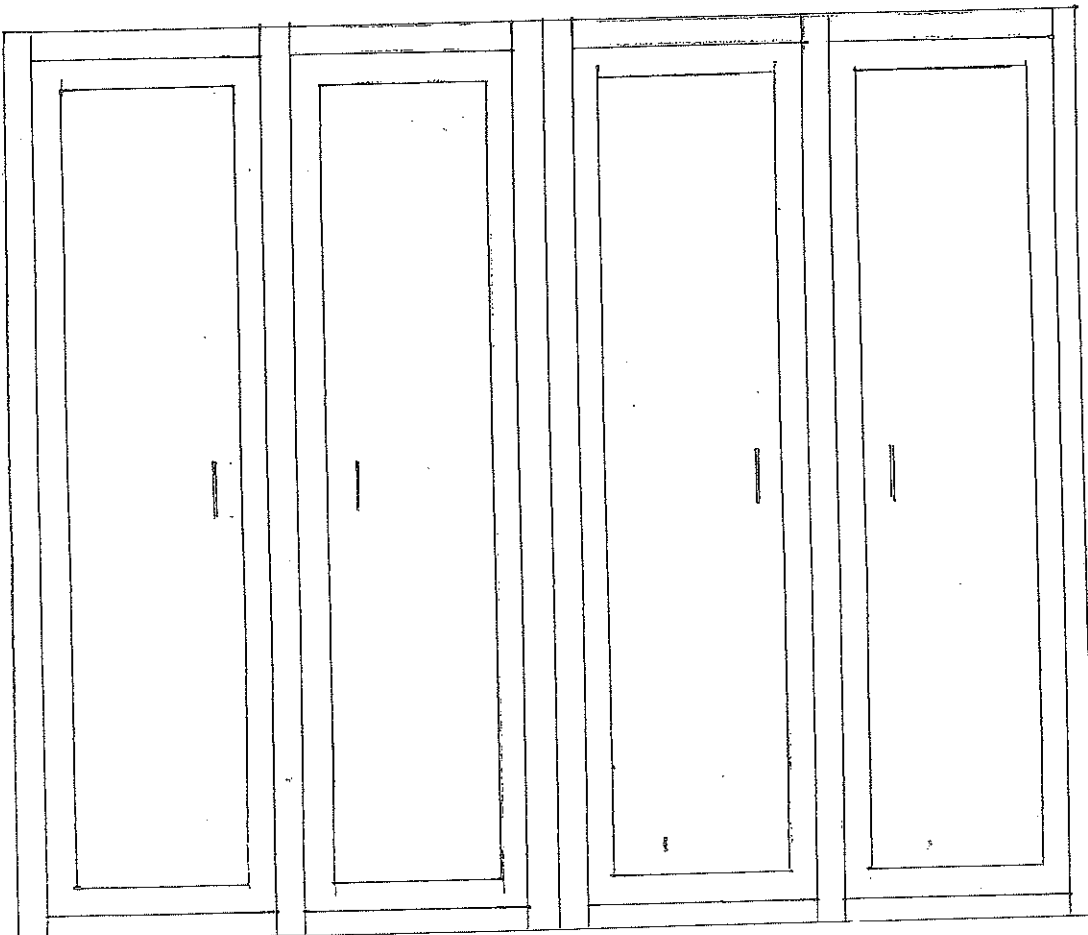
Christ the King Hospital.



Frame.

Frame 1: 1 570 x 1 500 x 20

Frame 2 : 1 370 x 1 500 x 20

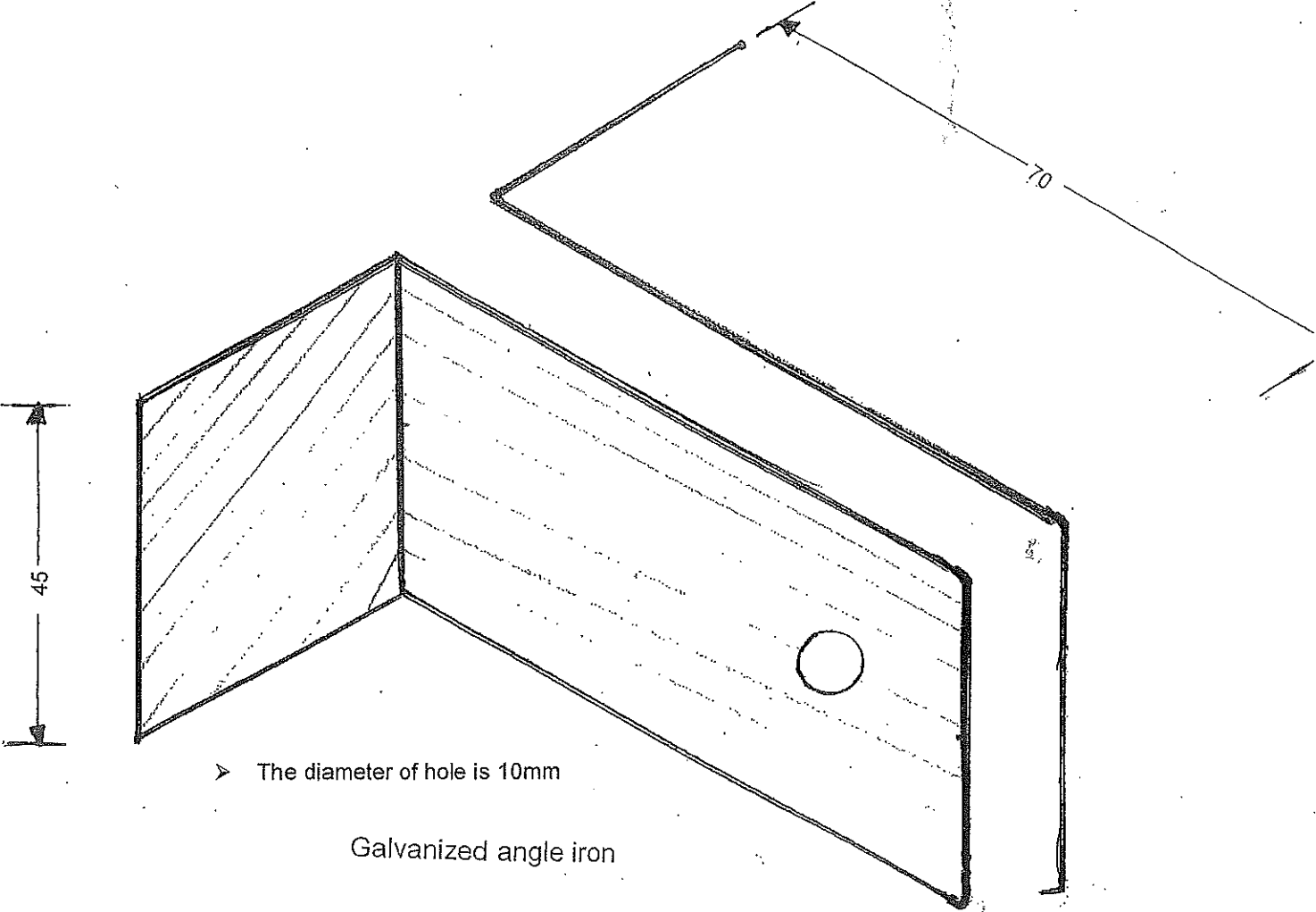


Drawing 4.

Cabinet doors : 780 x 1 500 x 16

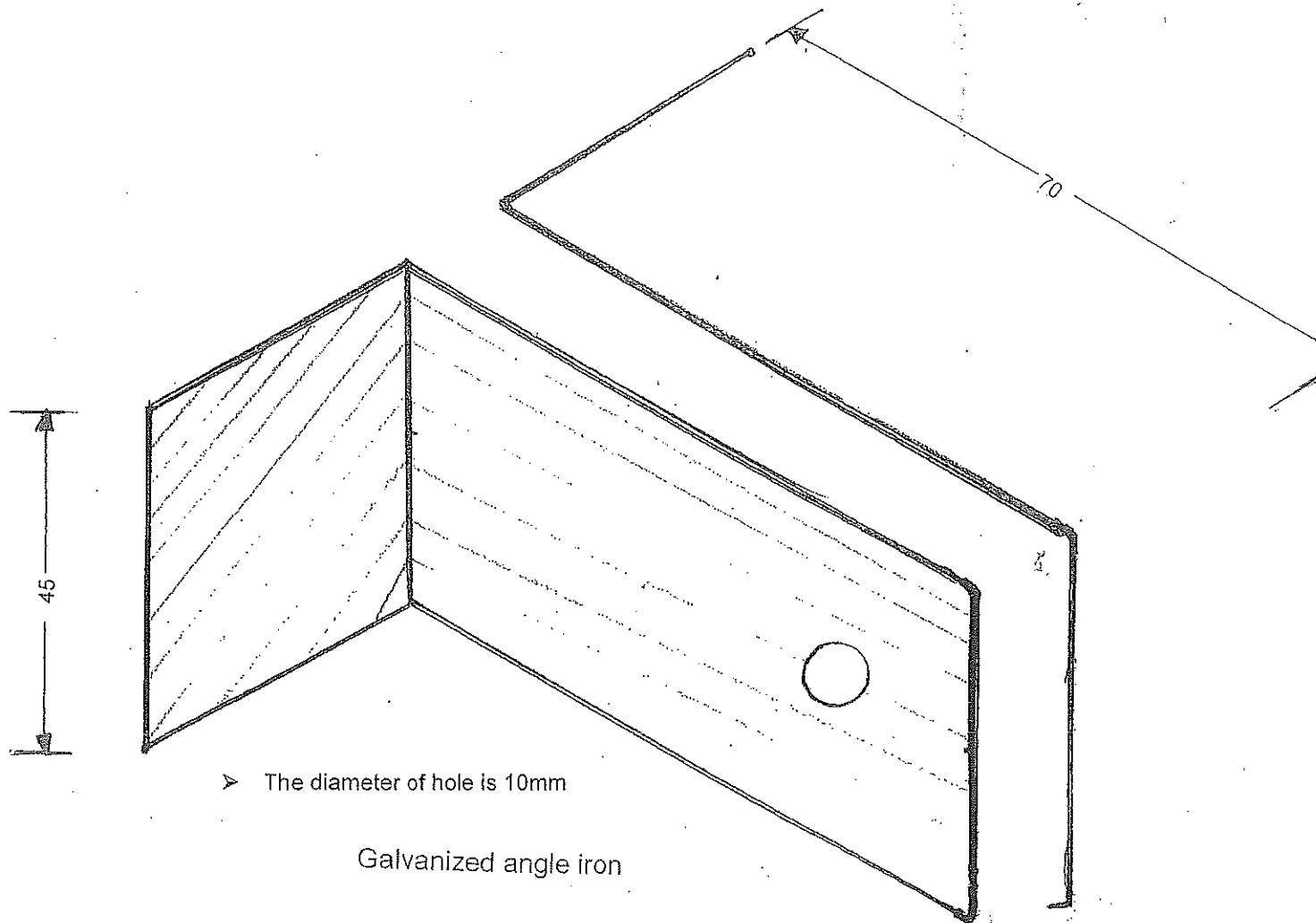
Cabinet doors : 680 x 1 500 x 16

Christ the King Hospital.



Drawing 5.

Christ the King Hospital.



Drawing 5.