

# NEW JOZINI HEALTH CLINIC

## DOOR & IRONMONGERY SCHEDULE

S264/400-M16 - REV 0

27.06.2014

*THIS SCHEDULE IS FOR  
MODULE 16 ONLY*

### Department of Health Notes

ALL DOORS TO BEAR THE SABS MARKING


ALL MASONITE VENEERS TO BE 3mm TEMPERED HARDBOARD

VERTICAL & HORIZONTAL STILES TO BE 100mm FOR FIXING OF LOCKS AND HINGES

CORE CHIP TO RUN VERTICALLY

REFER TO TYPICAL PHOTOGRAPH SUPPLIED

**ISSUED FOR CONSTRUCTION**

	<b>SAKHISIZWE</b>
	ARCHITECTS
+ I N T E R I O R S	
41 SWAPO ROAD (BROADWAY) DURBAN NORTH 4051	
PRIVATE BAG 212 GATEWAY 4321	
TEL: 031 553 3424 FAX: 031 563 3518	
EMAIL: info@sakhisizwe.co.za	

**DOOR SCHEDULE**

**DOOR TYPE : D3**

45mm TOP DOOR FRAME  
TO ACCOMMODATE  
DOOR CLOSER



DOOR CLOSER (ON SOME DOORS, REFER  
DORMA SCHEDULES)

HINGES BY DOOR  
MANUFACTURER

PURPOSE MADE NATURAL ANODISED  
ALUMINIUM DOOR & FRAME.

ALUMINIUM PULL HANDLE  
WITH EUROPROFILE DOUBLE CYLINDER

RIBBED NATURAL ANODISED ALUMINIUM IN-FILL  
PANEL TO MATCH DOOR.

FFL

DESCRIPTION :	PURPOSE MADE 813 x 2032 NATURAL ANODISED ALUMINIUM SINGLE DOOR WITH NATURAL ANODISED RIBBED ALUMINIUM BOTTOM PANEL TO MATCH DOOR
FRAME :	NATURAL ANODISED ALUMINIUM FRAME TO SUIT DOOR AND WALL
HINGES :	ALUMINIUM SINKLESS HINGES TO SUIT DOOR
GLAZING:	SAFETY GLAZED PANEL TO DOOR AS SHOWN
IRONMONGERY :	NATURAL ANODISED ALUMINIUM LEVER HANDLE ON SLIMLINE BACKPLATE WITH EUROPROFILE DOUBLE CYLINDER (REFER DORMA SCHEDULES)
SIGNAGE :	TO FUTURE DETAIL.

**GENERAL NOTES:**

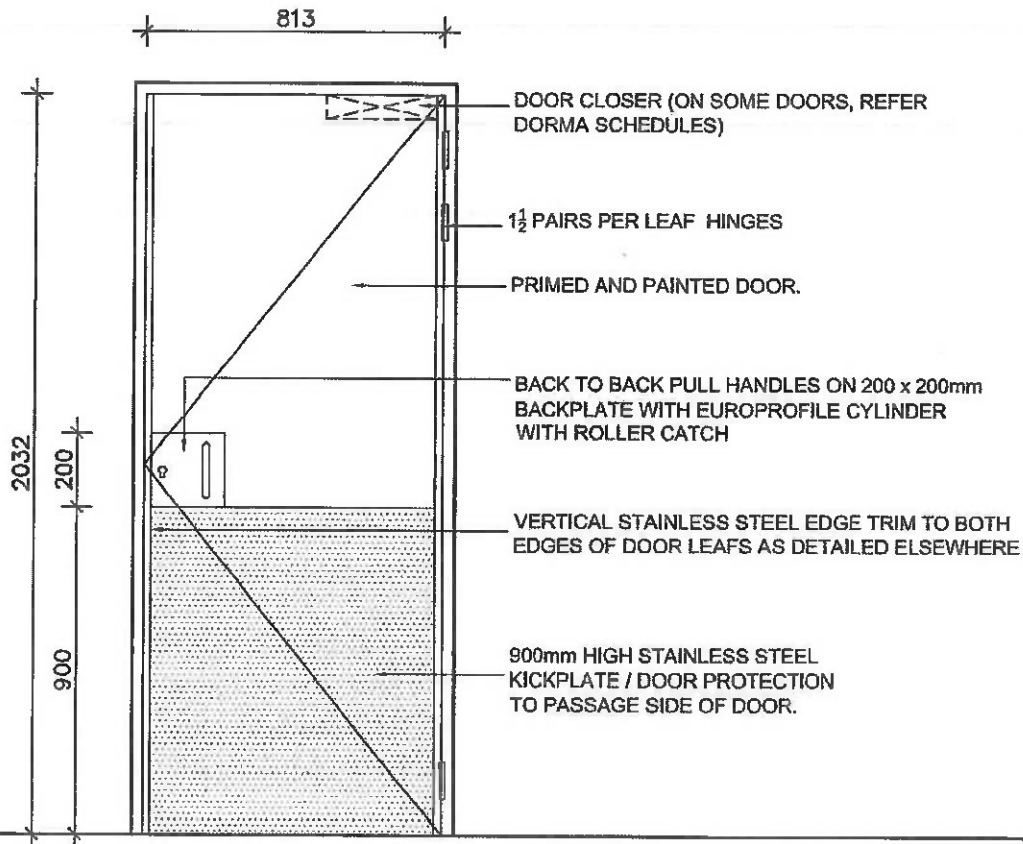
DOOR SWINGS AND POSITIONS TO BE CALCULATED FROM THE DOOR REFERENCE PLANS.  
ALL DIMENSIONS ARE TO BE CHECKED ON SITE BY THE CONTRACTOR PRIOR TO CONSTRUCTION.  
ANY DISCREPANCIES ON THIS DRAWING ARE TO BE REPORTED TO THE OFFICE OF THE ARCHITECT PRIOR TO CONSTRUCTION.  
ALL ALUMINIUM AND STEEL IS TO BE ISOLATED FROM ONE ANOTHER TO PREVENT GALVANIC ACTION.  
ALL QUANTITIES ARE TO BE CHECKED ON SITE BY THE CONTRACTOR PRIOR TO PLACING ORDERS.  
ALL UNDERCUTTING OF DOORS IS TO BE CALCULATED FROM MECHANICAL DETAILED CONSTRUCTION DRAWINGS.  
ALL SHOP FRONT DOORS ARE TO BE AAAMSA APPROVED.



41 SWAPO ROAD (BROADWAY)  
DURBAN NORTH 4051  
PRIVATE BAG X12 GATEWAY 4321  
TEL: 031 653 3424 FAX: 031 563 3518  
EMAIL: info@sakhisizwearchitects.co.za

**DOOR SCHEDULE**

**DOOR TYPE : D4**



DESCRIPTION :	2032x813x40mm SOLIDCORE TIMBER SINGLE DOOR. PRIMED AND PAINTED WITH 2 COATS PLASCON VELVALGO APPLIED IN STRICT ACCORDANCE WITH THE MANUFACTURES SPECIFICATIONS OR EQUAL APPROVED COLOUR: REFER TO FINISHES SCHEDULES. VERTICAL EDGES DRESSED IN STAINLESS STEEL AS PER DETAIL 'A'. 900mm HIGH x 1.2mm THICK GRADE 304 STAINLESS STEEL KICK PLATE TO PASSAGE SIDE ONLY GLUED AND SCREWED WITH COUNTERSUNK STAINLESS STEEL SCREWS @ 150mm C/C AS SHOWN.
FRAME :	STAINLESS STEEL PRESSED METAL FRAME TO SUIT WALL THICKNESS. FRAME PROFILE TO BE PER DETAIL "D"
HINGES :	1 1/2 PAIRS STAINLESS STEEL HINGES PER LEAF
GLAZING:	N/A
IRONMONGERY :	150mm BACK TO BACK PULL HANDLES ON 200 x 200 BACKPLATES TO BOTH SIDES OF DOOR EUROPROFILE DOUBLE CYLINDER LOCK WITH ROLLER CATCH (REFER DORMA SCHEDULES)
SIGNAGE :	TO FUTURE DETAIL

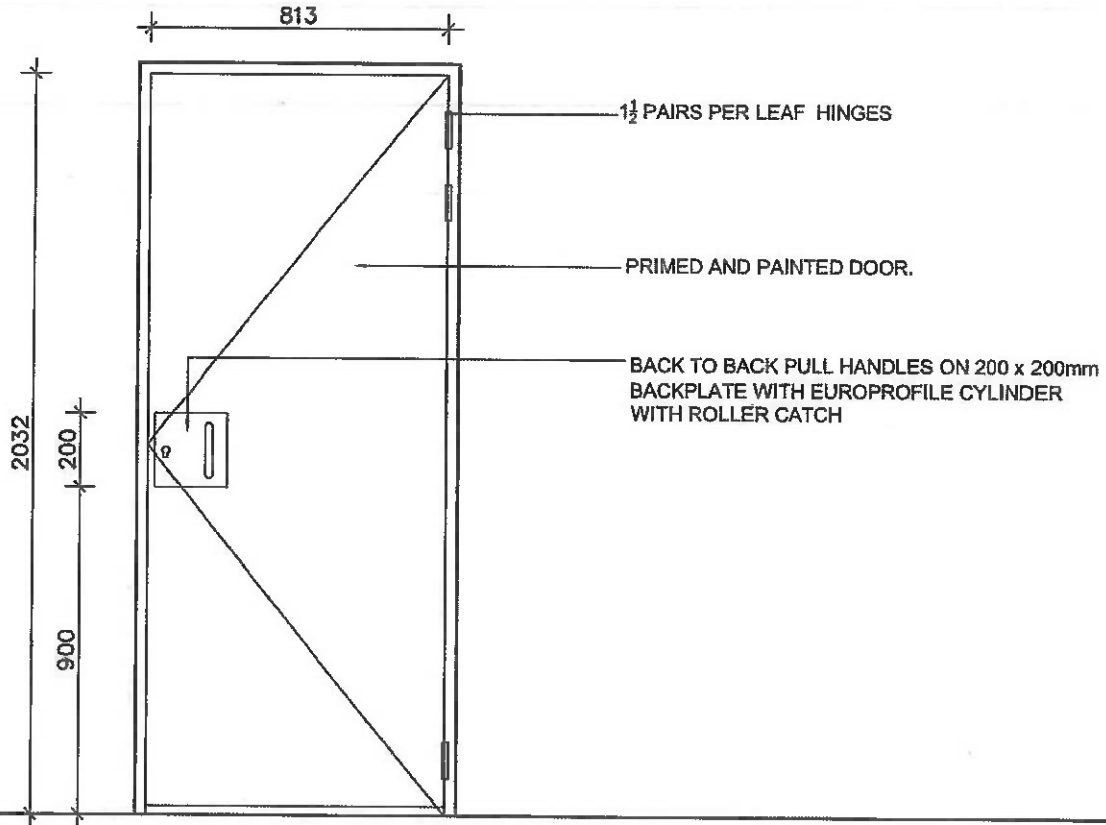
**GENERAL NOTES:**  
 DOOR SWINGS AND POSITIONS TO BE CALCULATED FROM THE DOOR REFERENCE PLANS.  
 ALL DIMENSIONS ARE TO BE CHECKED ON SITE BY THE CONTRACTOR PRIOR TO CONSTRUCTION.  
 ANY DISCREPANCIES ON THIS DRAWING ARE TO BE REPORTED TO THE OFFICE OF THE ARCHITECT PRIOR TO CONSTRUCTION.  
 ALL ALUMINIUM AND STEEL IS TO BE ISOLATED FROM ONE ANOTHER TO PREVENT GALVANIC ACTION.  
 ALL QUANTITIES ARE TO BE CHECKED ON SITE BY THE CONTRACTOR PRIOR TO PLACING ORDERS.  
 ALL UNDERCUTTING OF DOORS IS TO BE CALCULATED FROM MECHANICAL DETAILED CONSTRUCTION DRAWINGS.  
 ALL SHOP FRONT DOORS ARE TO BE AAAMSA APPROVED.



41 SWARD ROAD (BROADWAY)  
 DURBAN NORTH 4051  
 PRIVATE BAG X12 GATEWAY 4321  
 TEL: 031 563 3424 FAX: 031 563 2518  
 EMAIL: info@sakhisizweinteriors.co.za

**DOOR SCHEDULE**

**DOOR TYPE : D5**



DESCRIPTION :	2032x813x40mm SOLIDCORE TIMBER SINGLE DOOR. PRIMED AND PAINTED WITH 2 COATS MARMORAN MARMOSILK APPLIED IN STRICT ACCORDANCE WITH THE MANUFACTURES SPECIFICATIONS OR EQUAL APPROVED COLOUR: REFER TO FINISHES SCHEDULES.
FRAME :	STAINLESS STEEL PRESSED METAL FRAME TO SUIT WALL THICKNESS. FRAME PROFILE TO BE PER DETAIL 'D'
HINGES :	1 1/2 PAIRS STAINLESS STEEL HINGES PER LEAF
GLAZING:	N/A
IRONMONGERY :	REFER DORMA SCHEDULES ATTACHED
SIGNAGE :	TO FUTURE DETAIL

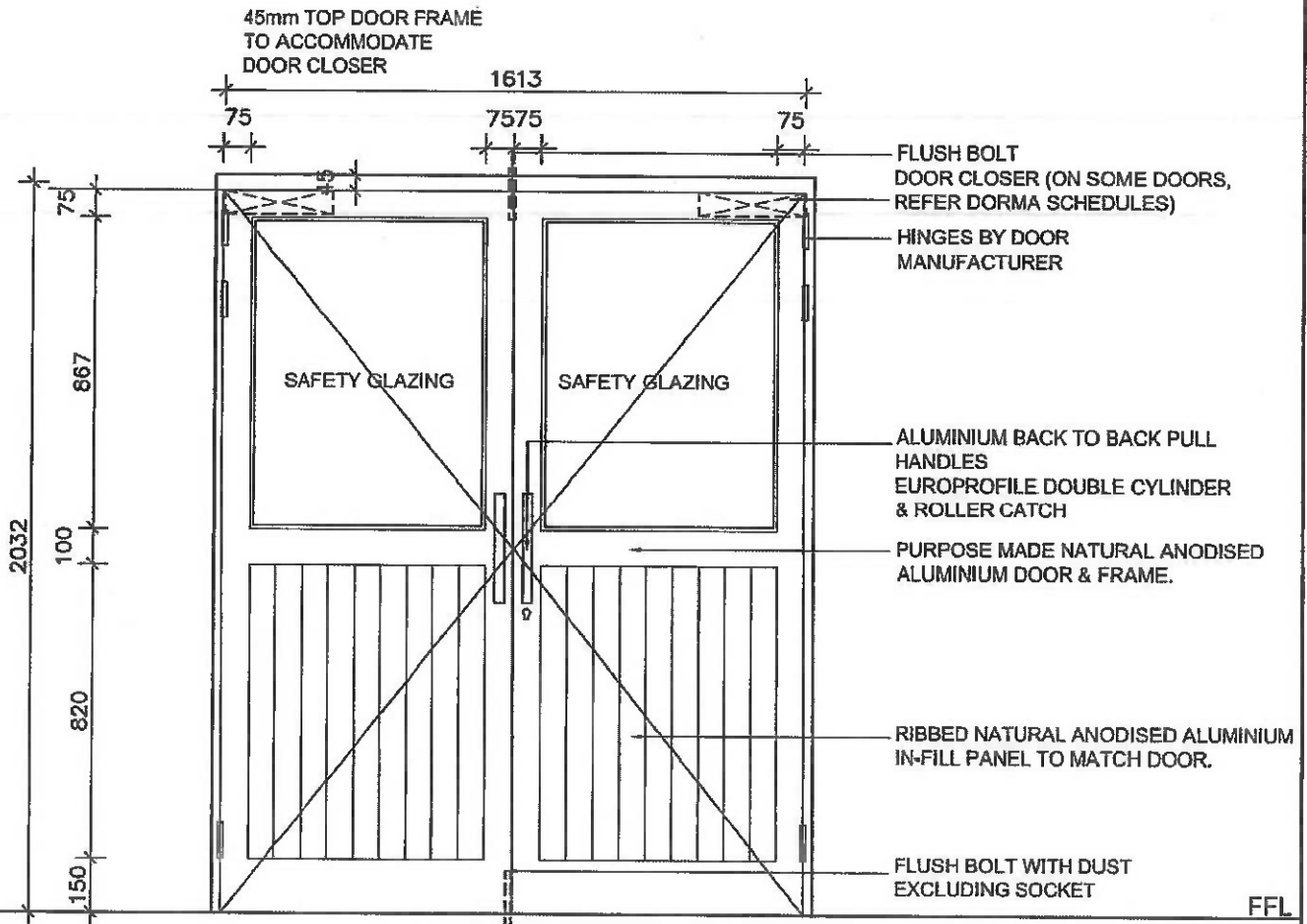
**GENERAL NOTES:**  
 DOOR SWINGS AND POSITIONS TO BE CALCULATED FROM THE DOOR REFERENCE PLANS.  
 ALL DIMENSIONS ARE TO BE CHECKED ON SITE BY THE CONTRACTOR PRIOR TO CONSTRUCTION.  
 ANY DISCREPANCIES ON THIS DRAWING ARE TO BE REPORTED TO THE OFFICE OF THE ARCHITECT PRIOR TO CONSTRUCTION.  
 ALL ALUMINIUM AND STEEL IS TO BE ISOLATED FROM ONE ANOTHER TO PREVENT GALVANIC ACTION.  
 ALL QUANTITIES ARE TO BE CHECKED ON SITE BY THE CONTRACTOR PRIOR TO PLACING ORDERS.  
 ALL UNDERCUTTING OF DOORS IS TO BE CALCULATED FROM MECHANICAL DETAILED CONSTRUCTION DRAWINGS.  
 ALL SHOP FRONT DOORS ARE TO BE AAAMSA APPROVED.

**SAKHISIZWE**  
 ARCHITECTS  
 + I N T E R I O R S

41 SWAPO ROAD (BROADWAY)  
 DURBAN NORTH 4051  
 PRIVATE BAG X12 GATEWAY 4321  
 TEL: 031 553 3424 FAX: 031 553 3519  
 EMAIL: info@sakhisizwearchitects.co.za

**DOOR SCHEDULE**

**DOOR TYPE : D6-A**



DESCRIPTION :	PURPOSE MADE 2032 x 1613 NATURAL ANODISED ALUMINIUM DOUBLE DOOR IN TWO EQUAL LEAVES WITH NATURAL ANODISED RIBBED BOTTOM PANEL TO MATCH DOOR
FRAME :	NATURAL ANODISED ALUMINIUM FRAME TO SUIT DOOR
HINGES :	ALUMINIUM SINKLESS HINGES TO SUIT DOOR
GLAZING:	SAFETY GLAZED PANEL TO DOOR AS SHOWN
IRONMONGERY :	NATURAL ANODISED ALUMINIUM BACK TO BACK PULL HANDLES DOUBLE CYLINDER, ROLLER CATCH (REFER DORMA SCHEDULES)
SIGNAGE :	TO FUTURE DETAIL

**GENERAL NOTES:**

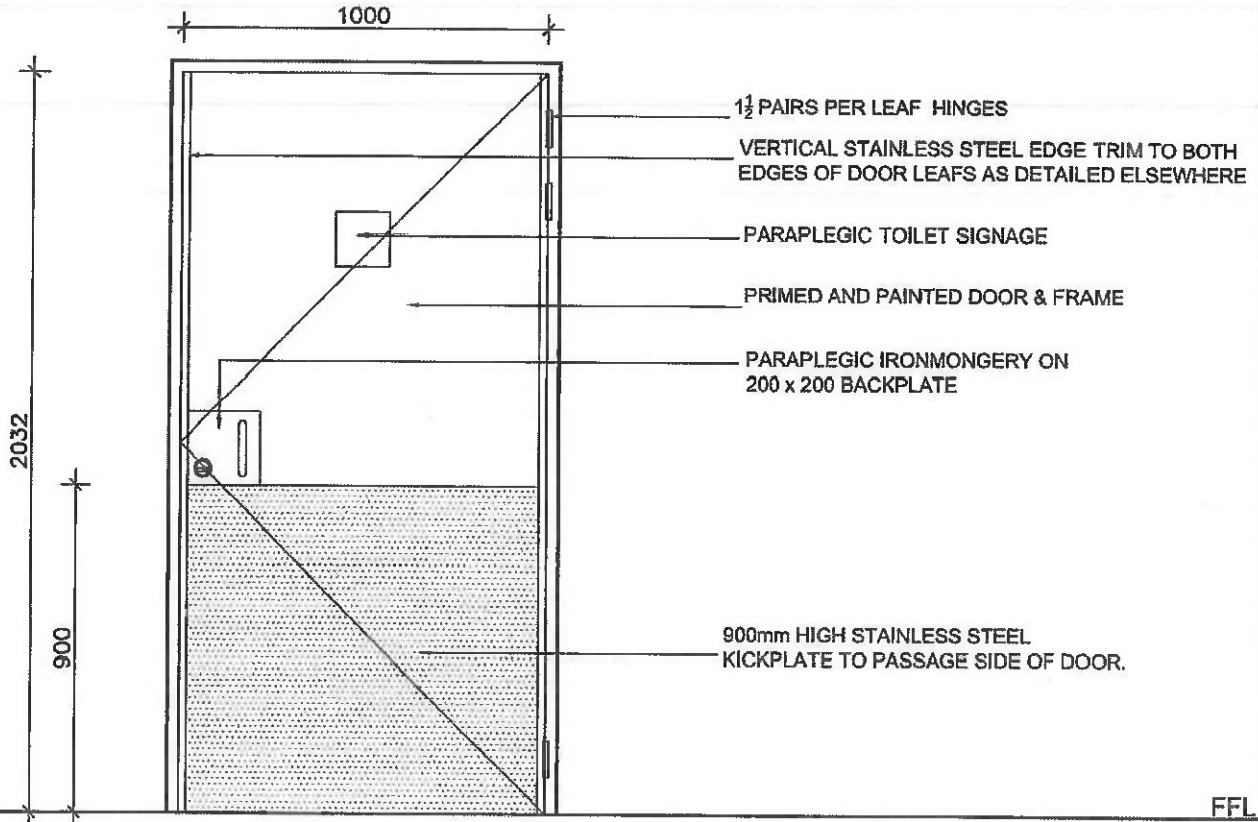
DOOR SWINGS AND POSITIONS TO BE CALCULATED FROM THE DOOR REFERENCE PLANS.  
 ALL DIMENSIONS ARE TO BE CHECKED ON SITE BY THE CONTRACTOR PRIOR TO CONSTRUCTION.  
 ANY DISCREPANCIES ON THIS DRAWING ARE TO BE REPORTED TO THE OFFICE OF THE ARCHITECT PRIOR TO CONSTRUCTION.  
 ALL ALUMINIUM AND STEEL IS TO BE ISOLATED FROM ONE ANOTHER TO PREVENT GALVANIC ACTION.  
 ALL QUANTITIES ARE TO BE CHECKED ON SITE BY THE CONTRACTOR PRIOR TO PLACING ORDERS.  
 ALL UNDERCUTTING OF DOORS IS TO BE CALCULATED FROM MECHANICAL DETAILED CONSTRUCTION DRAWINGS.  
 ALL SHOP FRONT DOORS ARE TO BE AAAMSA APPROVED.



41 SWAPO ROAD (BROADWAY)  
 DURBAN NORTH 4051  
 PRIVATE BAG X12 GATEWAY 4321  
 TEL : 031 563 3424 FAX: 031 563 3513  
 EMAIL: info@sakhisizwearchitects.co.za

**DOOR SCHEDULE**

**DOOR TYPE : D7**



DESCRIPTION :	2032x1000x40mm SOLIDCORE TIMBER SINGLE DOOR. PRIMED AND PAINTED WITH 2 COATS PLASCON VELVALGO APPLIED IN STRICT ACCORDANCE WITH THE MANUFACTURES SPECIFICATIONS OR EQUAL APPROVED COLOUR: REFER TO FINISHES SCHEDULES.  VERTICAL EDGES DRESSED IN STAINLESS STEEL AS PER DETAIL 'A'. 900mm HIGH x 1.2mm THICK GRADE 304 STAINLESS STEEL KICK PLATE TO PASSAGE SIDE ONLY GLUED AND SCREWED WITH COUNTERSUNK STAINLESS STEEL SCREWS @ 150mm C/C AS SHOWN.
FRAME :	STAINLESS STEEL PRESSED METAL FRAME TO SUIT WALL THICKNESS. FRAME PROFILE TO BE PER DETAIL "D"
HINGES :	1 1/2 PAIRS STAINLESS STEEL HINGES PER LEAF
GLAZING:	N/A
IRONMONGERY :	150mm BACK TO BACK PULL HANDLES ON 200 x 200 BACKPLATES TO BOTH SIDES OF DOOR PARAPLEGIC PRIVACY LOCK (REFER DORMA SCHEDULES)
SIGNAGE :	TO FUTURE DETAIL

**GENERAL NOTES:**

DOOR SWINGS AND POSITIONS TO BE CALCULATED FROM THE DOOR REFERENCE PLANS.  
ALL DIMENSIONS ARE TO BE CHECKED ON SITE BY THE CONTRACTOR PRIOR TO CONSTRUCTION.  
ANY DISCREPANCIES ON THIS DRAWING ARE TO BE REPORTED TO THE OFFICE OF THE ARCHITECT PRIOR TO CONSTRUCTION.  
ALL ALUMINIUM AND STEEL IS TO BE ISOLATED FROM ONE ANOTHER TO PREVENT GALVANIC ACTION.  
ALL QUANTITIES ARE TO BE CHECKED ON SITE BY THE CONTRACTOR PRIOR TO PLACING ORDERS.  
ALL UNDERCUTTING OF DOORS IS TO BE CALCULATED FROM MECHANICAL DETAILED CONSTRUCTION DRAWINGS.  
ALL SHOP FRONT DOORS ARE TO BE AAAMSA APPROVED.

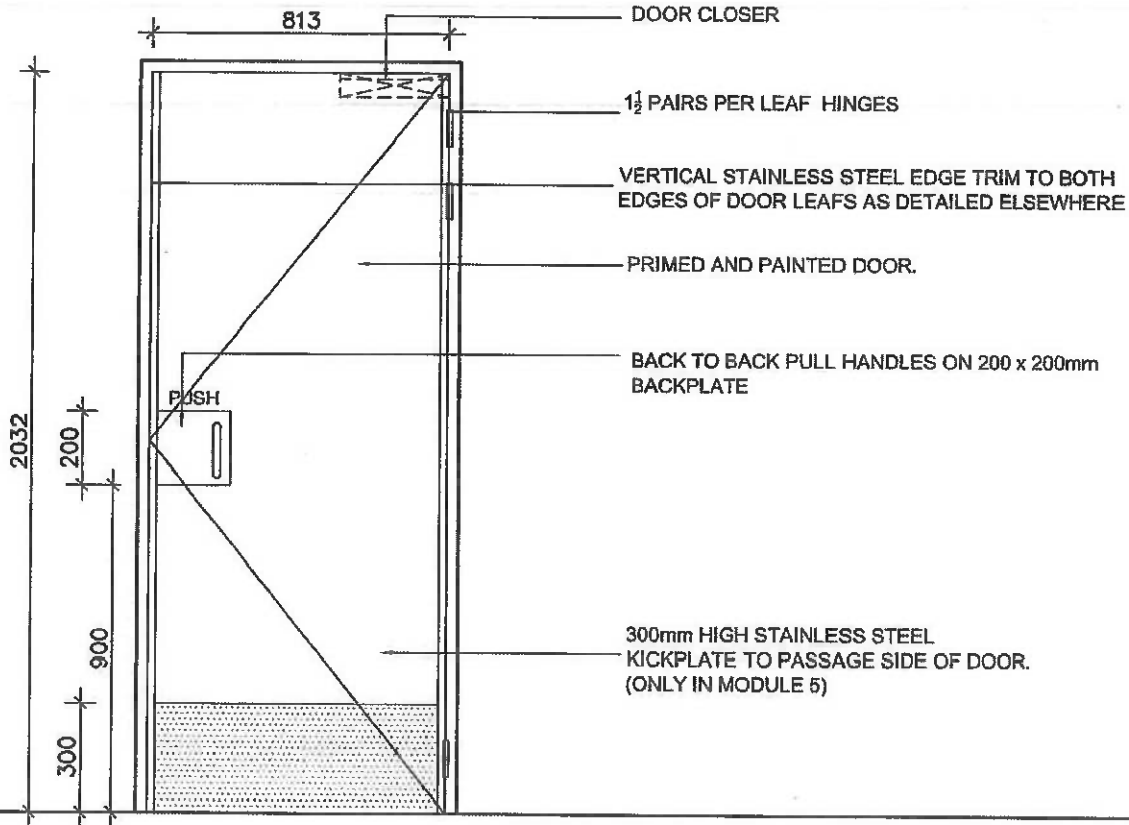


41 SWAPO ROAD (BROADWAY)  
DURBAN NORTH 4051

PRIVATE BAG X12 GATEWAY 4321  
TEL: 031 563 3424 FAX: 031 063 3516  
EMAIL: info@sakhisizwearchitects.co.za

**DOOR SCHEDULE**

**DOOR TYPE : D9**



**DESCRIPTION :** 2032x813x40mm SOLIDCORE TIMBER SINGLE DOOR. PRIMED AND PAINTED WITH 2 COATS MARMORAN MARMOSILK APPLIED IN STRICT ACCORDANCE WITH THE MANUFACTURES SPECIFICATIONS OR EQUAL APPROVED COLOUR: REFER TO FINISHES SCHEDULES.  
VERTICAL EDGES DRESSED IN STAINLESS STEEL AS PER DETAIL 'A'.  
300mm HIGH x 1.2mm THICK GRADE 304 STAINLESS STEEL KICK PLATE TO PASSAGE SIDE ONLY GLUED AND SCREWED WITH COUNTERSUNK STAINLESS STEEL SCREWS @ 150mm C/C AS SHOWN.

**FRAME :** STAINLESS STEEL PRESSED METAL FRAME TO SUIT WALL THICKNESS. FRAME PROFILE TO BE PER DETAIL "D"

**HINGES :** 1 1/2 PAIRS STAINLESS STEEL HINGES PER LEAF

**GLAZING:** N/A

**IRONMONGERY :** REFER DORMA SCHEDULES ATTACHED

**SIGNAGE :** TO FUTURE DETAIL

**GENERAL NOTES:**

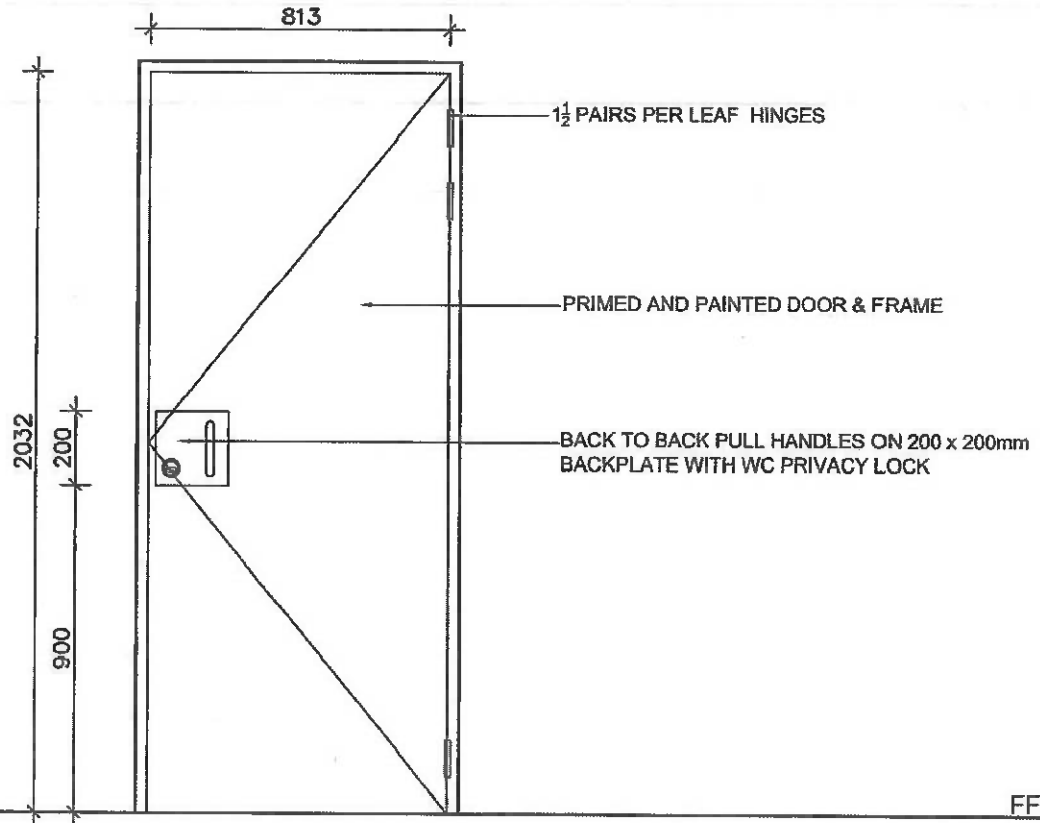
DOOR SWINGS AND POSITIONS TO BE CALCULATED FROM THE DOOR REFERENCE PLANS.  
ALL DIMENSIONS ARE TO BE CHECKED ON SITE BY THE CONTRACTOR PRIOR TO CONSTRUCTION.  
ANY DISCREPANCIES ON THIS DRAWING ARE TO BE REPORTED TO THE OFFICE OF THE ARCHITECT PRIOR TO CONSTRUCTION.  
ALL ALUMINIUM AND STEEL IS TO BE ISOLATED FROM ONE ANOTHER TO PREVENT GALVANIC ACTION.  
ALL QUANTITIES ARE TO BE CHECKED ON SITE BY THE CONTRACTOR PRIOR TO PLACING ORDERS.  
ALL UNDERCUTTING OF DOORS IS TO BE CALCULATED FROM MECHANICAL DETAILED CONSTRUCTION DRAWINGS.  
ALL SHOP FRONT DOORS ARE TO BE AAAMSA APPROVED.



41 SWAPO ROAD (BROADWAY)  
DURBAN NORTH 4051  
PRIVATE BAG X12 GATEWAY 4321  
TEL : 031 563 3424 FAX: 031 563 3518  
EMAIL: info@sakhisizweinteriors.co.za

**DOOR SCHEDULE**

**DOOR TYPE : D15**



DESCRIPTION :	2032x813x40mm SOLIDCORE TIMBER SINGLE DOOR. PRIMED AND PAINTED WITH 2 COATS MARMORAN MARMOSILK APPLIED IN STRICT ACCORDANCE WITH THE MANUFACTURES SPECIFICATIONS OR EQUAL APPROVED COLOUR: REFER TO FINISHES SCHEDULES.
FRAME :	STAINLESS STEEL PRESSED METAL FRAME TO SUIT WALL THICKNESS. FRAME PROFILE TO BE PER DETAIL "D"
HINGES :	1 1/2 PAIRS STAINLESS STEEL HINGES PER LEAF
GLAZING:	N/A
IRONMONGERY :	REFER DORMA SCHEDULES ATTACHED
SIGNAGE :	TO FUTURE DETAIL

**GENERAL NOTES:**

DOOR SWINGS AND POSITIONS TO BE CALCULATED FROM THE DOOR REFERENCE PLANS.  
ALL DIMENSIONS ARE TO BE CHECKED ON SITE BY THE CONTRACTOR PRIOR TO CONSTRUCTION.  
ANY DISCREPANCIES ON THIS DRAWING ARE TO BE REPORTED TO THE OFFICE OF THE ARCHITECT PRIOR TO CONSTRUCTION.  
ALL ALUMINIUM AND STEEL IS TO BE ISOLATED FROM ONE ANOTHER TO PREVENT GALVANIC ACTION.  
ALL QUANTITIES ARE TO BE CHECKED ON SITE BY THE CONTRACTOR PRIOR TO PLACING ORDERS.  
ALL UNDERCUTTING OF DOORS IS TO BE CALCULATED FROM MECHANICAL DETAILED CONSTRUCTION DRAWINGS.  
ALL SHOP FRONT DOORS ARE TO BE AAAMSA APPROVED.

**SAKHISIZWE**  
ARCHITECTS  
+ INTERIORS

41 SV/APO ROAD (BROADWAY)  
DURBAN NORTH 4051  
PRIVATE BAG X12 GATEWAY 4321  
TEL : 031 563 3424 FAX: 031 563 3518  
EMAIL: info@sakhisizwe.co.za



Proposed  
IRONMONGERY TYPE - CONTROL LIST



Project Jozini Community Health Centre \_ Module 16 (Admin) \_ Timber Doors Date 24-01-2013  
 Architects Megan Bott Sakhisizwe Architects Revision 2  
 Specified by Ursula Jansen

Location	Area Ref.	Door No.	Handing	Door / Frame type	Iron-mongery type	Notes	MK Ref
Archives	Module 16	M16.02	RH	D5	1601		
Registry	Module 16	M16.03	LH	D5	1601		
Data	Module 16	M16.04	LH	D5	1601		
Female Toilet	Module 16	M16.05	RH	D9	1602		
W C	Module 16	M16.06	RH	D15	1603		
W C	Module 16	M16.07	RH	D15	1603		
W C	Module 16	M16.08	RH	D15	1603		
Paraplegic	Module 19	M16.09	LH	D7	1604		
W C	Module 16	M16.10	LH	D15	1603		
W C	Module 16	M16.11	LH	D15	1603		
Male Toilet	Module 16	M16.12	LH	D9	1605		
Store	Module 16	M16.18	LH	D4	1601		

Proposed  
**IRONMONGERY TYPES**



**Project** Jozini Community Health Centre \_ Module 16 (Admin) \_ Timber Doors **Date** 24-01-2013

**Architects** Megan Bott  
Sakhisizwe Architects

**Revision** 2

**Specified by** Ursula Jansen

Ironmongery types	Doors	Items
1601	M16.02, M16.03, M16.04, M16.18	<ul style="list-style-type: none"> <li>• 1.5 pair - DORMA DBB-SS-009 102x75x3mm stainless steel two ball bearing butt hinge</li> <li>• 1.0 pair - DORMA DPH301C 150x19mm stainless steel "D" shaped straight back-to-back pull handles</li> <li>• 2.0 only - 200mm x 200mm x 1.2mm grade 304 stainless steel push plate with cylinder cut out; 4 holes pre_drilled for countersunk fixings</li> <li>• 0.0 - DORMA DPH301 b_b handles to be fixed through both push plates to architect's detail</li> <li>• 1.0 each - DORMA D037D euro-profile cylinder dead lock SS</li> <li>• 1.0 each - Dorma DDC056501 nickel plated 65mm five pin euro-profile double cylinder</li> <li>• 1.0 only - 38mm black rubber door stop</li> </ul>
1602	M16.05	<ul style="list-style-type: none"> <li>• 1.5 pair - DORMA DBB-SS-009 102x75x3mm stainless steel two ball bearing butt hinge</li> <li>• 1.0 each - DORMA TS91/EN3 slide channel door closer - Non hold open</li> <li>• 1.0 pair - DORMA DPH301C 150x19mm stainless steel "D" shaped straight back-to-back pull handles</li> <li>• 2.0 only - 200mm x 200mm x 1.2mm grade 304 blank stainless steel push plate with 4 holes pre_drilled for countersunk fixings</li> <li>• 0.0 - DORMA DPH301 b_b handles to be fixed through both push plates to architect's detail</li> <li>• 1.0 only - 38mm black rubber door stop</li> <li>• 1.0 each - Dorma DSS-131 stainless steel 150x150mm FEMALE sign</li> </ul>
1603	M16.06, M16.07, M16.08, M16.10, M16.11	<ul style="list-style-type: none"> <li>• 1.5 pair - DORMA DBB-SS-009 102x75x3mm stainless steel two ball bearing butt hinge</li> <li>• 1.0 pair - DORMA DPH301C 150x19mm stainless steel "D" shaped straight back-to-back pull handles</li> <li>• 2.0 only - 200mm x 200mm x 1.2mm grade 304 stainless steel push plate with hole to take DWC-006; 4 holes pre_drilled for countersunk fixings</li> <li>• 0.0 - DORMA DPH301 b_b handles to be fixed through both push plates to architect's detail</li> <li>• 1.0 pair - DORMA DWC-006 stainless steel WC indicator with 79mm turn knob for physically impaired.</li> <li>• 1.0 each - DORMA DMWC-SS-008 Bathroom/WC dead lock (small case).</li> <li>• 1.0 only - Erebus heavy duty adjustable roller bolt.</li> <li>• 1.0 each - DORMA DDS-SS-020 stainless steel wall buffer</li> </ul>
1604	M16.09	<ul style="list-style-type: none"> <li>• 1.0 pair - DORMA DRL-SS-013 102x75x3mm Stainless steel rising butt hnge - Left hand</li> <li>• 2.0 each - DORMA DPH301B 300x25mm stainless steel pull handle with flange fixing</li> <li>• 1.0 off - Union 37651 helping hand indicator bolt for paraplegic wc</li> <li>• 1.0 only - Erebus heavy duty adjustable roller bolt.</li> <li>• 1.0 each - Dorma DSS-133 stainless steel 150x150mm DISABLED PERSONS sign</li> </ul>

Proposed  
IRONMONGERY TYPES



**Project** Jozini Community Health Centre \_ Module 16 (Admin) \_ Timber Doors **Date** 24-01-2013

**Architects** Megan Bott  
Sakhisizwe Architects

**Revision** 2

**Specified by** Ursula Jansen

Ironmongery types	Doors	Items
1605	M16.12	<ul style="list-style-type: none"> <li>• 1.5 pair - DORMA DBB-SS-009 102x75x3mm stainless steel two ball bearing butt hinge</li> <li>• 1.0 each - DORMA TS91/EN3 slide channel door closer - Non hold open</li> <li>• 1.0 pair - DORMA DPH301C 150x19mm stainless steel "D" shaped straight back-to-back pull handles</li> <li>• 2.0 only - 200mm x 200mm x 1.2mm grade 304 blank stainless steel push plate with 4 holes pre_drilled for countersunk fixings</li> <li>• 0.0 - DORMA DPH301 b_b handles to be fixed through both push plates to architect's detail</li> <li>• 1.0 only - 38mm black rubber door stop</li> <li>• 1.0 each - Dorma DSS-130 stainless steel 150x150mm MALE sign</li> </ul>

Proposed  
IRONMONGERY TYPE - CONTROL LIST



**Project** Jozini Community Health Centre \_ Module 16 (Admin) \_  
Aluminium Doors

**Architects** Megan Bott  
Sakhisizwe Architects

**Specified by** Ursula Jansen

**Date** 24-01-2013

**Revision** 1

Location	Area Ref.	Door No.	Handing	Door / Frame type	Iron-mongery type	Notes	MK Ref
Entrance	Module 16	M16.01	DD	D6a	1601		
HR Manager	Module 16	M16.13	RH	D3	1602		
Finance Managers	Module 16	M16.14	RH	D3	1602		
Senior Finance	Module 16	M16.15	RH	D3	1602		
Senior Finance	Module 16	M16.16	LH	D3	1602		
Finance open plan	Module 16	M16.17	DD	D6a	1603		
Entrance	Module 16	M16.19	DD	D6a	1604		
Staff Room	Module 16	M16.20	RH	D3	1605		
HR Open Plan	Module 16	M16.21	RH	D3	1602		
HR Open Plan	Module 16	M16.22	LH	D3	1602		
HR Officer	Module 16	M16.23	RH	D3	1602		
HR Officer	Module 16	M16.24	LH	D3	1602		
Junior Socials	Module 16	M16.25	RH	D3	1602		
Senior Social	Module 16	M16.26	LH	D3	1602		

Proposed  
**IRONMONGERY TYPES**



**Project** Jozini Community Health Centre \_ Module 16 (Admin) \_  
Aluminium Doors

**Date** 24-01-2013

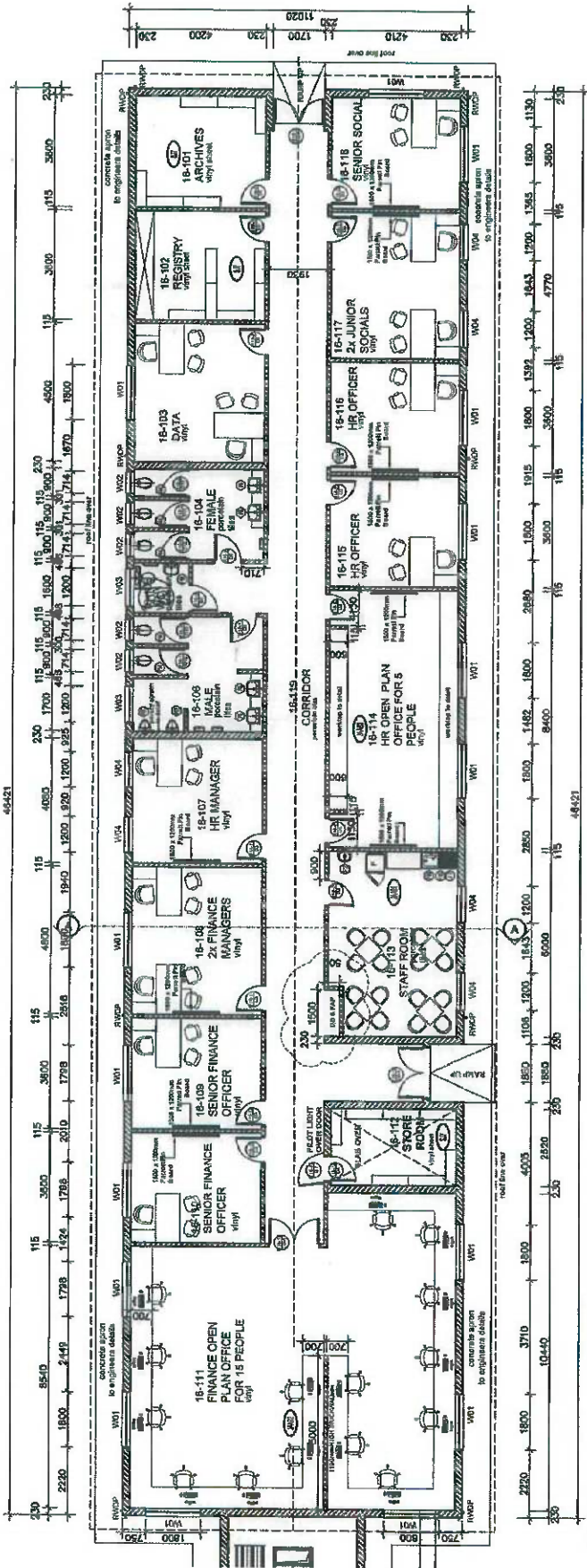
**Architects** Megan Bott  
Sakhisizwe Architects

**Revision** 1

**Specified by** Ursula Jansen

Ironmongery types	Doors	Items
1601	M16.01	<ul style="list-style-type: none"> <li>• 0.0 - Aluminium Sinkless hinges by frame manufacturer</li> <li>• 1.0 set - DORMA TS93G/EN2-5 slide channel door closer and angle bracket - non hold open. Push side fitting.</li> <li>• 2.0 pair - DORMA DPH206 400x32mm stainless steel "T" shaped offset back-to-back pull handle</li> <li>• 1.0 only - DORMA D07736, 35mm narrow stile heavy duty deadlock</li> <li>• 1.0 each - Dorma DDC056501 nickel plated 65mm five pin euro-profile double cylinder</li> <li>• 2.0 only - DORMA DCE-105 Narrow stile cylinder escutcheon</li> <li>• 2.0 only - Howick H460 - 180x20mm aluminium lever action flush bolt</li> </ul>
1602	M16.13, M16.14, M16.15, M16.16, M16.21, M16.22, M16.23, M16.24, M16.25, M16.26	<ul style="list-style-type: none"> <li>• 0.0 - Aluminium Sinkless hinges by frame manufacturer</li> <li>• 1.0 pair - DORMA DPH206 400x32mm stainless steel "T" shaped offset back-to-back pull handle</li> <li>• 1.0 only - DORMA D07935, 35mm backset narrow stile deadlock &amp; roller bolt</li> <li>• 1.0 each - Dorma DDC056501 nickel plated 65mm five pin euro-profile double cylinder</li> <li>• 2.0 only - DORMA DCE-105 Narrow stile cylinder escutcheon</li> <li>• 1.0 only - 38mm black rubber door stop</li> </ul>
1603	M16.17	<ul style="list-style-type: none"> <li>• 0.0 - Aluminium Sinkless hinges by frame manufacturer</li> <li>• 2.0 pair - DORMA DPH206 400x32mm stainless steel "T" shaped offset back-to-back pull handle</li> <li>• 1.0 only - DORMA D07935, 35mm backset narrow stile deadlock &amp; roller bolt</li> <li>• 1.0 each - Dorma DDC056501 nickel plated 65mm five pin euro-profile double cylinder</li> <li>• 2.0 only - DORMA DCE-105 Narrow stile cylinder escutcheon</li> <li>• 2.0 only - Howick H460 - 180x20mm aluminium lever action flush bolt</li> <li>• 2.0 only - 38mm black rubber door stop</li> </ul>
1604	M16.19	<ul style="list-style-type: none"> <li>• 0.0 - Aluminium Sinkless hinges by frame manufacturer</li> <li>• 1.0 each - DORMA TS93B/EN2-5 slide channel door closer/ pull side fitting - non hold open</li> <li>• 2.0 pair - DORMA DPH206 400x32mm stainless steel "T" shaped offset back-to-back pull handle</li> <li>• 1.0 only - DORMA D07935, 35mm backset narrow stile deadlock &amp; roller bolt</li> <li>• 1.0 each - Dorma DDC056501 nickel plated 65mm five pin euro-profile double cylinder</li> <li>• 2.0 only - DORMA DCE-105 Narrow stile cylinder escutcheon</li> <li>• 2.0 only - Howick H460 - 180x20mm aluminium lever action flush bolt</li> <li>• 2.0 only - 38mm black rubber door stop</li> </ul>
1605	M16.20	<ul style="list-style-type: none"> <li>• 0.0 - Aluminium Sinkless hinges by frame manufacturer</li> <li>• 1.0 each - DORMA TS91B/EN3-RF slide channel door closer- hold open function</li> <li>• 1.0 pair - DORMA DPH206 400x32mm stainless steel "T" shaped offset back-to-back pull handle</li> <li>• 1.0 only - DORMA D07736, 35mm narrow stile heavy duty deadlock</li> <li>• 1.0 each - Dorma DDC056501 nickel plated 65mm five pin euro-profile double cylinder</li> <li>• 2.0 only - DORMA DCE-105 Narrow stile cylinder escutcheon</li> <li>• 1.0 only - 38mm black rubber door stop</li> </ul>





Floor Plan  
Scale 1:300

Jozini CHC  
This drawing to be used for door numbering only.

# NEW JOZINI HEALTH CLINIC

## DOOR & IRONMONGERY SCHEDULE

S264/400-M5 - REV 0

29.11.2013

*THIS SCHEDULE IS FOR  
MODULE 5 ONLY*

### Department of Health Notes

ALL DOORS TO BEAR THE SABS MARKING


ALL MASONITE VENEERS TO BE 3mm TEMPERED HARDBOARD

VERTICAL & HORIZONTAL STILES TO BE 100mm FOR FIXING OF LOCKS AND HINGES

CORE CHIP TO RUN VERTICALLY

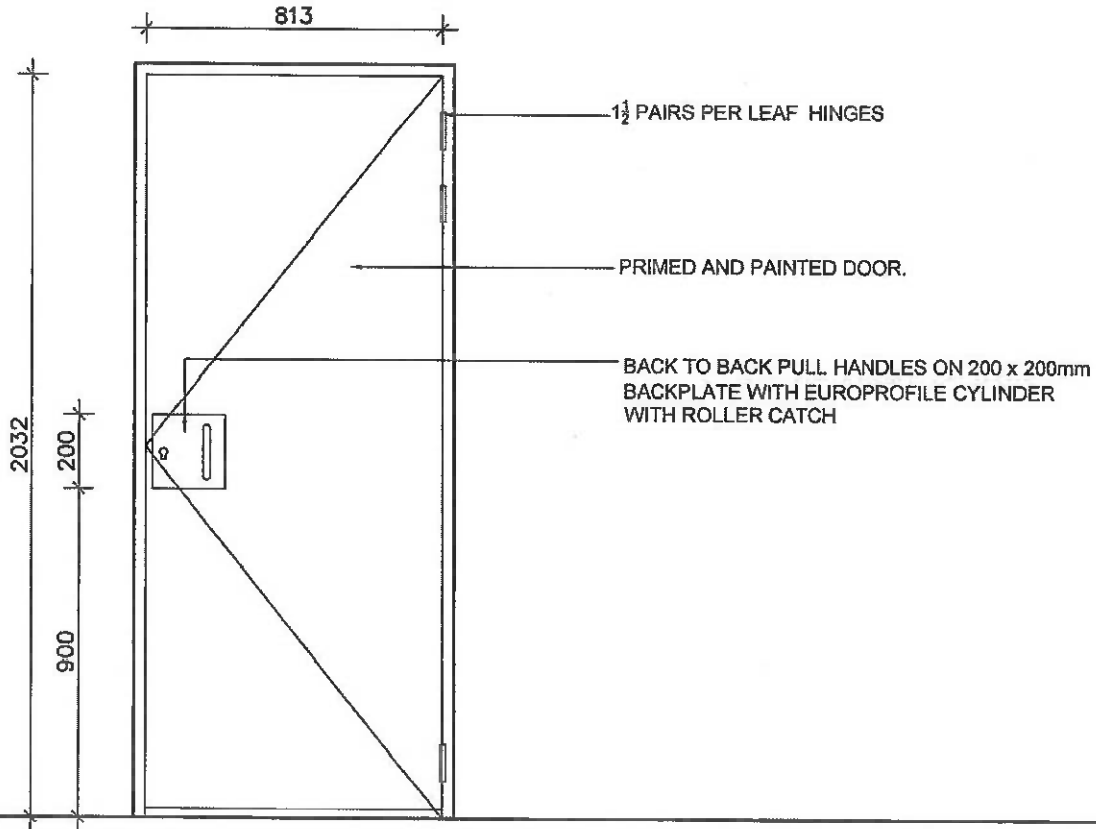
REFER TO TYPICAL PHOTOGRAPH SUPPLIED

ISSUED FOR CONSTRUCTION

	<b>SAKHISIZWE</b>
	ARCHITECTS
+ I N T E R I O R S	
41 SWARG ROAD (BROADWAY) URBAN NORTH 4051	
PRIVATE BAG X12 GATEWAY 4321	
TEL : 031 563 3424 FAX: 031 563 3616	
EMAIL: info@sakhisizwe.architects.co.za	

**DOOR SCHEDULE**

**DOOR TYPE : D5**



DESCRIPTION :	2032x813x40mm SOLIDCORE TIMBER SINGLE DOOR. PRIMED AND PAINTED WITH 2 COATS MARMORAN MARMOSILK APPLIED IN STRICT ACCORDANCE WITH THE MANUFACTURES SPECIFICATIONS OR EQUAL APPROVED COLOUR: REFER TO FINISHES SCHEDULES.
FRAME :	STAINLESS STEEL PRESSED METAL FRAME TO SUIT WALL THICKNESS. FRAME PROFILE TO BE PER DETAIL "D"
HINGES :	1 1/2 PAIRS STAINLESS STEEL HINGES PER LEAF
GLAZING:	N/A
IRONMONGERY :	REFER DORMA SCHEDULES ATTACHED
SIGNAGE :	TO FUTURE DETAIL

**GENERAL NOTES:**

DOOR SWINGS AND POSITIONS TO BE CALCULATED FROM THE DOOR REFERENCE PLANS.  
 ALL DIMENSIONS ARE TO BE CHECKED ON SITE BY THE CONTRACTOR PRIOR TO CONSTRUCTION.  
 ANY DISCREPANCIES ON THIS DRAWING ARE TO BE REPORTED TO THE OFFICE OF THE ARCHITECT PRIOR TO CONSTRUCTION.  
 ALL ALUMINIUM AND STEEL IS TO BE ISOLATED FROM ONE ANOTHER TO PREVENT GALVANIC ACTION.  
 ALL QUANTITIES ARE TO BE CHECKED ON SITE BY THE CONTRACTOR PRIOR TO PLACING ORDERS.  
 ALL UNDERCUTTING OF DOORS IS TO BE CALCULATED FROM MECHANICAL DETAILED CONSTRUCTION DRAWINGS.  
 ALL SHOP FRONT DOORS ARE TO BE AAAMSA APPROVED.



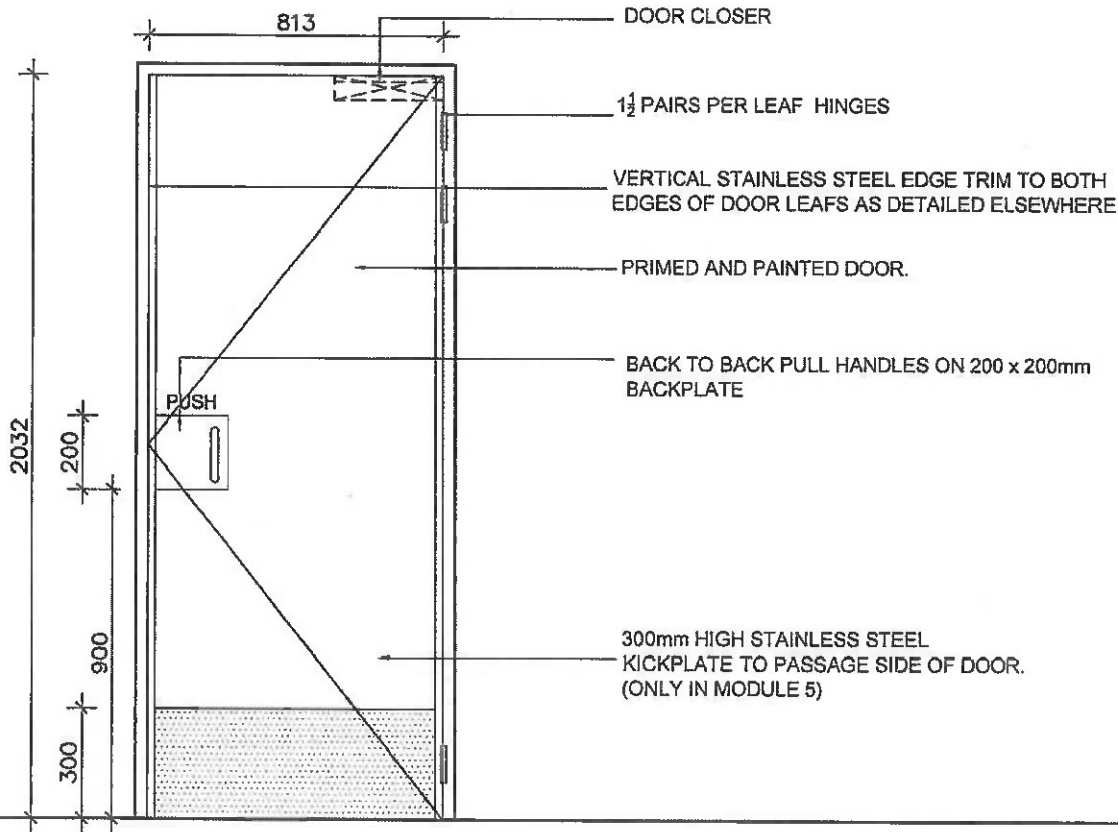
+ I N T E R I O R S

41 SWAPO ROAD (BROADWAY)  
 DURBAN NORTH 4061  
 PRIVATE BAG 212 GATEWAY 4321  
 TEL : 031 563 3424 FAX: 031 563 5818  
 EMAIL: info@sakhisizwearchitects.co.za



**DOOR SCHEDULE**

**DOOR TYPE : D9**



DESCRIPTION :	2032x813x40mm SOLIDCORE TIMBER SINGLE DOOR, PRIMED AND PAINTED WITH 2 COATS MARMORAN MARMOSILK APPLIED IN STRICT ACCORDANCE WITH THE MANUFACTURES SPECIFICATIONS OR EQUAL APPROVED COLOUR: REFER TO FINISHES SCHEDULES. VERTICAL EDGES DRESSED IN STAINLESS STEEL AS PER DETAIL 'A'. 300mm HIGH x 1.2mm THICK GRADE 304 STAINLESS STEEL KICK PLATE TO PASSAGE SIDE ONLY GLUED AND SCREWED WITH COUNTERSUNK STAINLESS STEEL SCREWS @ 150mm C/C AS SHOWN.
FRAME :	STAINLESS STEEL PRESSED METAL FRAME TO SUIT WALL THICKNESS. FRAME PROFILE TO BE PER DETAIL "D"
HINGES :	1½ PAIRS STAINLESS STEEL HINGES PER LEAF
GLAZING:	N/A
IRONMONGERY :	REFER DORMA SCHEDULES ATTACHED
SIGNAGE :	TO FUTURE DETAIL

**GENERAL NOTES:**

DOOR SWINGS AND POSITIONS TO BE CALCULATED FROM THE DOOR REFERENCE PLANS.  
ALL DIMENSIONS ARE TO BE CHECKED ON SITE BY THE CONTRACTOR PRIOR TO CONSTRUCTION.  
ANY DISCREPANCIES ON THIS DRAWING ARE TO BE REPORTED TO THE OFFICE OF THE ARCHITECT PRIOR TO CONSTRUCTION.  
ALL ALUMINIUM AND STEEL IS TO BE ISOLATED FROM ONE ANOTHER TO PREVENT GALVANIC ACTION.  
ALL QUANTITIES ARE TO BE CHECKED ON SITE BY THE CONTRACTOR PRIOR TO PLACING ORDERS.  
ALL UNDERCUTTING OF DOORS IS TO BE CALCULATED FROM MECHANICAL DETAILED CONSTRUCTION DRAWINGS.  
ALL SHOP FRONT DOORS ARE TO BE AAAMSA APPROVED.

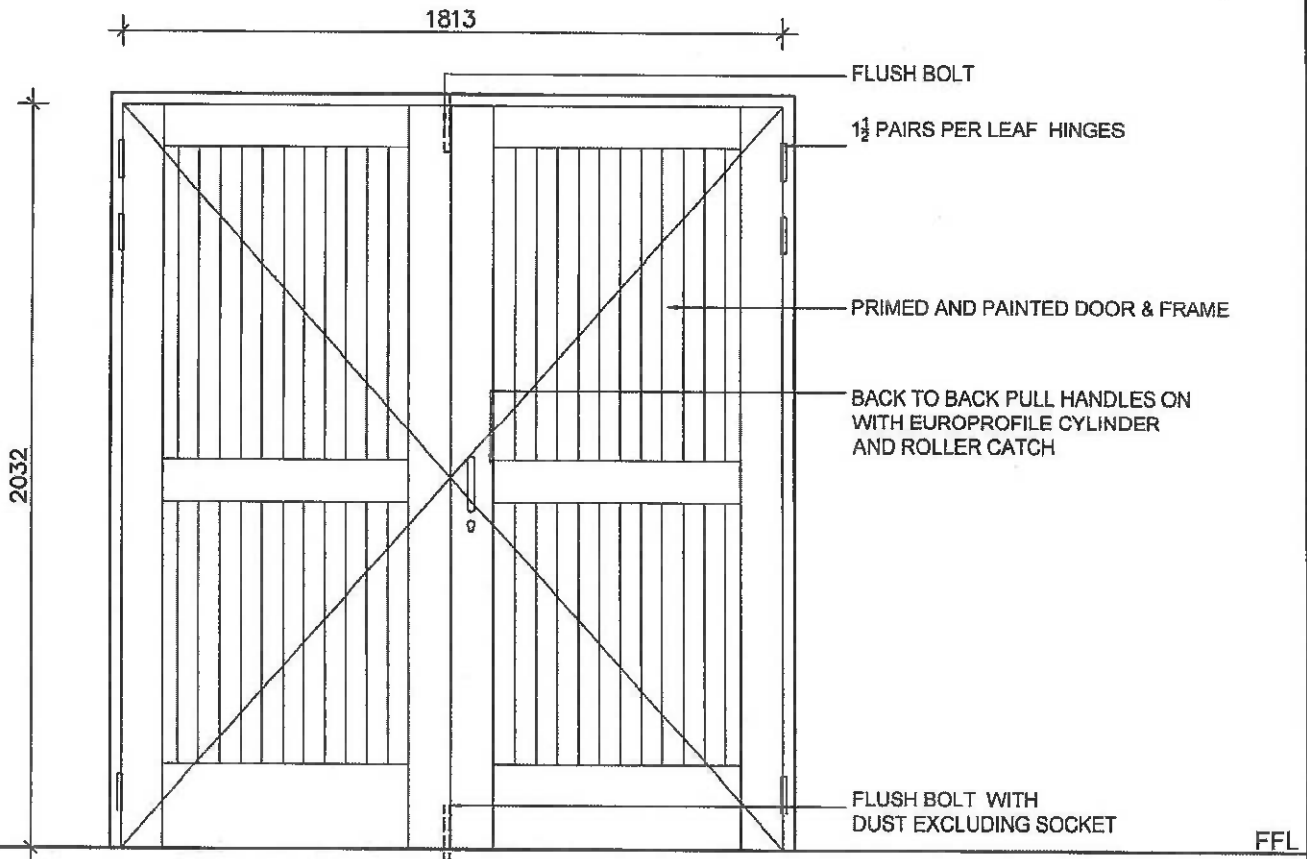


41 SWAPO ROAD (BROADWAY)  
DURBAN NORTH 4061  
PRIVATE BAG X12, GATEWAY 4021  
TEL : 031 953 3434 FAX: 031 953 3518  
EMAIL: info@sakhisizwearchitects.co.za

**DOOR SCHEDULE**

**DOOR TYPE : D12-1**

FOR EXTERNAL USE



DESCRIPTION :	2032x1813x44mm HARDWOOD BATTEN AND BRACED DOUBLE DOOR IN TWO EQUAL LEAVES , WITH REBATED MEETING STILES PRIMED AND PAINTED IN STRICT ACCORDANCE WITH THE MANUFACTURES SPECIFICATIONS OR EQUAL APPROVED COLOUR: REFER TO FINISHES SCHEDULES.
FRAME :	STAINLESS STEEL PRESSED METAL FRAME TO SUIT WALL THICKNESS. FRAME PROFILE TO BE PER DETAIL "D"
HINGES :	1 1/2 PAIRS STAINLESS STEEL HINGES PER LEAF
GLAZING:	N/A
IRONMONGERY :	REFER DORMA SCHEDULES ATTACHED
SIGNAGE :	TO FUTURE DETAIL

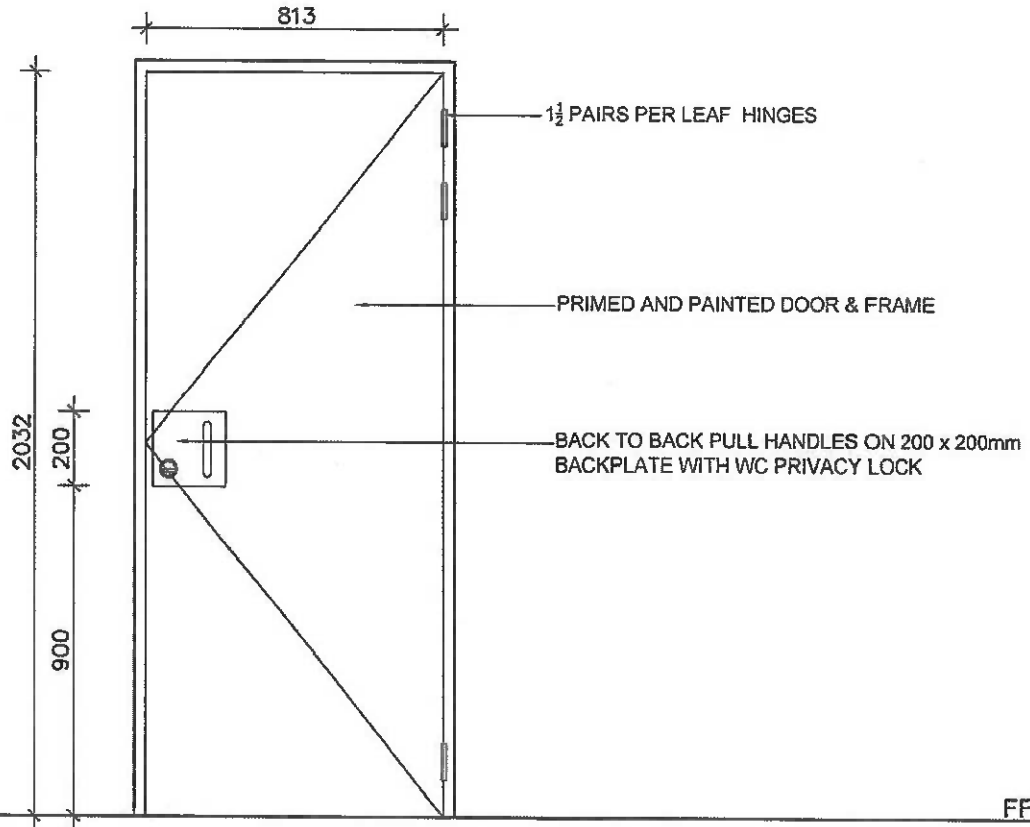
**GENERAL NOTES:**  
 DOOR SWINGS AND POSITIONS TO BE CALCULATED FROM THE DOOR REFERENCE PLANS.  
 ALL DIMENSIONS ARE TO BE CHECKED ON SITE BY THE CONTRACTOR PRIOR TO CONSTRUCTION.  
 ANY DISCREPANCIES ON THIS DRAWING ARE TO BE REPORTED TO THE OFFICE OF THE ARCHITECT PRIOR TO CONSTRUCTION.  
 ALL ALUMINIUM AND STEEL IS TO BE ISOLATED FROM ONE ANOTHER TO PREVENT GALVANIC ACTION.  
 ALL QUANTITIES ARE TO BE CHECKED ON SITE BY THE CONTRACTOR PRIOR TO PLACING ORDERS.  
 ALL UNDERCUTTING OF DOORS IS TO BE CALCULATED FROM MECHANICAL DETAILED CONSTRUCTION DRAWINGS.  
 ALL SHOP FRONT DOORS ARE TO BE AAAMSA APPROVED.

**SAKHISIZWE**  
 ARCHITECTS  
 + I N T E R I O R S

41 SWAPO ROAD (BROADWAY)  
 DURBAN NORTH 4051  
 PRIVATE BAG X12 GATEWAY 4321  
 TEL : 031 553 3424 FAX: 031 553 3518  
 EMAIL: info@sakhisizwearchitects.co.za

**DOOR SCHEDULE**

**DOOR TYPE : D15**



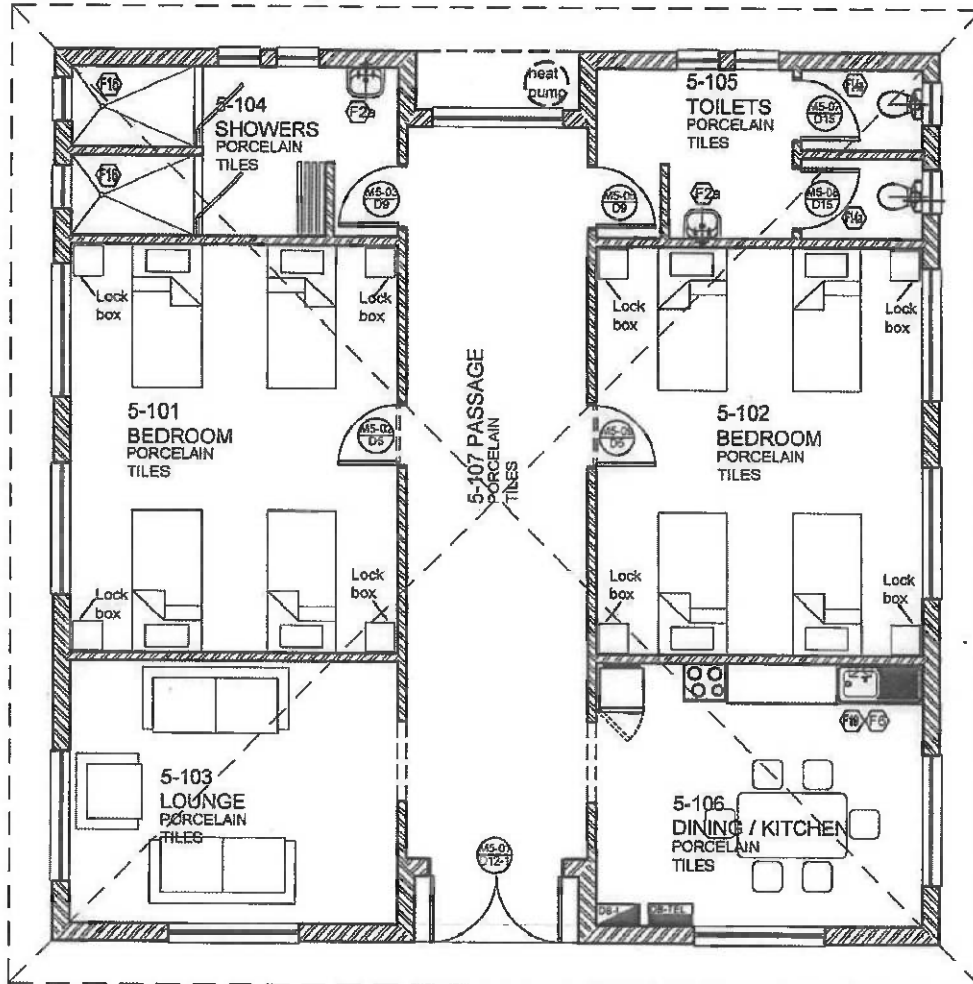
FFL

DESCRIPTION :	2032x813x40mm SOLIDCORE TIMBER SINGLE DOOR. PRIMED AND PAINTED WITH 2 COATS MARMORAN MARMOSILK APPLIED IN STRICT ACCORDANCE WITH THE MANUFACTURES SPECIFICATIONS OR EQUAL APPROVED COLOUR: REFER TO FINISHES SCHEDULES.
FRAME :	STAINLESS STEEL PRESSED METAL FRAME TO SUIT WALL THICKNESS. FRAME PROFILE TO BE PER DETAIL "D"
HINGES :	1½ PAIRS STAINLESS STEEL HINGES PER LEAF
GLAZING:	N/A
IRONMONGERY :	REFER DORMA SCHEDULES ATTACHED
SIGNAGE :	TO FUTURE DETAIL

**GENERAL NOTES:**  
 DOOR SWINGS AND POSITIONS TO BE CALCULATED FROM THE DOOR REFERENCE PLANS.  
 ALL DIMENSIONS ARE TO BE CHECKED ON SITE BY THE CONTRACTOR PRIOR TO CONSTRUCTION.  
 ANY DISCREPANCIES ON THIS DRAWING ARE TO BE REPORTED TO THE OFFICE OF THE ARCHITECT PRIOR TO CONSTRUCTION.  
 ALL ALUMINIUM AND STEEL IS TO BE ISOLATED FROM ONE ANOTHER TO PREVENT GALVANIC ACTION.  
 ALL QUANTITIES ARE TO BE CHECKED ON SITE BY THE CONTRACTOR PRIOR TO PLACING ORDERS.  
 ALL UNDERCUTTING OF DOORS IS TO BE CALCULATED FROM MECHANICAL DETAILED CONSTRUCTION DRAWINGS.  
 ALL SHOP FRONT DOORS ARE TO BE AAAMSA APPROVED.

**SAKHISIZWE**  
 ARCHITECTS  
 + INTERIORS

41 SWAPO ROAD (BROADWAY)  
 DURBAN NORTH 4051  
 PRIVATE BAG X12 GATEWAY 4321  
 TEL : 031 563 3424 FAX: 031 563 3518  
 EMAIL: info@sakhisizwe.co.za



Project Title <b>JOZINI CHC</b>	Date: <b>29.11.2013</b>
	Drawn: <b>MB</b>
	Scale: <b>1:100</b>
Drawing description <b>DOOR SCHEDULE MODULE 5</b>	Dwg No: <b>S264/DM5</b> Rev:

**SAKHISIZWE**  
ARCHITECTS  
+ INTERIORS

41 SWAPO (BROADWAY), DURBAN NORTH  
PRIVATE BAG X12 GATEWAY 4321  
TEL : 031 683 2424 FAX: 031 363 2518  
EMAIL: info@sakhisizwearchitects.co.za

Proposed  
IRONMONGERY TYPE - CONTROL LIST



Project Jozini Community Health Centre \_ Module 5 (Mother's Lodge) \_ Date 24-01-2013  
 Timber Doors  
 Architects Megan Bott Sakhisizwe Architects Revision 2  
 Specified by Ursula Jansen

Location	Area Ref.	Door No.	Handing	Door / Frame type	Iron-mongery type	Notes	MK Ref
Entrance	Module 5	M5.01	DD	D12 1	501		
Bedroom	Module 5	M5.02	RH	D5	502	• roller bolt to be fitted at top of door	
Showers	Module 5	M5.03	RH	D9	503		
Toilets	Module 5	M5.06	LH	D9	504		
W C	Module 5	M5.07	LH	D15	505		
W C	Module 5	M5.08	RH	D15	505		
Bedroom	Module 5	M5.09	LH	D5	502	• roller bolt to be fitted at top of door	

Proposed  
**IRONMONGERY TYPES**



**Project** Jozini Community Health Centre \_\_ Module 5 (Mother's Lodge) \_\_ **Date** 24-01-2013  
Timber Doors

**Architects** Megan Bott  
Sakhisizwe Architects

**Revision 2**

**Specified by** Ursula Jansen

Ironmongery types	Doors	Items
501	M5.01	<ul style="list-style-type: none"> <li>• 3.0 pair - DORMA DBB-SS-009 102x75x3mm stainless steel two ball bearing butt hinge</li> <li>• 1.0 pair - DORMA DPH301C 150x19mm stainless steel "D" shaped straight back-to-back pull handles</li> <li>• 1.0 each - DORMA D037D euro-profile cylinder dead lock SS</li> <li>• 1.0 each - Dorma DDC056501 nickel plated 65mm five pin euro-profile double cylinder</li> <li>• 2.0 each - DORMA DCE-002 stainless steel euro profile escutcheon</li> <li>• 1.0 only - Erebus heavy duty adjustable roller bolt.</li> <li>• 1.0 each - DORMA D038R Rebate conversion kit for euro-profile locks SS</li> <li>• 1.0 only - D037D/37 deadlock strike</li> <li>• 2.0 only - DORMA DFB-SC-180/150 150mm Satin Chrome flush bolt with heel</li> <li>• 1.0 each - DORMA DPS-SS-032 dust proof socket</li> <li>• 2.0 only - Halstead 166 cabin hook 150mm (Sat Chrome)</li> </ul>
502	M5.02, M5.09	<ul style="list-style-type: none"> <li>• 1.5 pair - DORMA DBB-SS-009 102x75x3mm stainless steel two ball bearing butt hinge</li> <li>• 1.0 pair - DORMA DPH301C 150x19mm stainless steel "D" shaped straight back-to-back pull handles</li> <li>• 2.0 only - 200mm x 200mm x 1.2mm grade 304 stainless steel push plate with cylinder cut out; 4 holes pre_drilled for countersunk fixings</li> <li>• 0.0 - DORMA DPH301 b_b handles to be fixed through both push plates to architect's detail</li> <li>• 1.0 each - DORMA D037D euro-profile cylinder dead lock SS</li> <li>• 1.0 each - Dorma DDC056501 nickel plated 65mm five pin euro-profile double cylinder</li> <li>• 1.0 only - Erebus heavy duty adjustable roller bolt.</li> <li>• 1.0 only - 38mm black rubber door stop</li> </ul>
503	M5.03	<ul style="list-style-type: none"> <li>• 1.5 pair - DORMA DBB-SS-009 102x75x3mm stainless steel two ball bearing butt hinge</li> <li>• 1.0 each - DORMA TS91/EN3 slide channel door closer - Non hold open</li> <li>• 1.0 pair - DORMA DPH301C 150x19mm stainless steel "D" shaped straight back-to-back pull handles</li> <li>• 2.0 only - 200mm x 200mm x 1.2mm grade 304 blank stainless steel push plate with 4 holes pre_drilled for countersunk fixings</li> <li>• 0.0 - DORMA DPH301 b_b handles to be fixed through both push plates to architect's detail</li> <li>• 1.0 only - 38mm black rubber door stop</li> <li>• 1.0 each - DORMA DSS-139 stainless steel 150x150mm SHOWER sign</li> </ul>
504	M5.06	<ul style="list-style-type: none"> <li>• 1.5 pair - DORMA DBB-SS-009 102x75x3mm stainless steel two ball bearing butt hinge</li> <li>• 1.0 each - DORMA TS91/EN3 slide channel door closer - Non hold open</li> <li>• 1.0 pair - DORMA DPH301C 150x19mm stainless steel "D" shaped straight back-to-back pull handles</li> <li>• 2.0 only - 200mm x 200mm x 1.2mm grade 304 blank stainless steel push plate with 4 holes pre_drilled for countersunk fixings</li> <li>• 0.0 - DORMA DPH301 b_b handles to be fixed through both push plates to architect's detail</li> <li>• 1.0 only - 38mm black rubber door stop</li> <li>• 1.0 each - Dorma DSS-131 stainless steel 150x150mm FEMALE sign</li> </ul>

Proposed  
**IRONMONGERY TYPES**



**Project** Jozini Community Health Centre \_ Module 5 (Mother's Lodge) \_ **Date** 24-01-2013  
 Timber Doors

**Architects** Megan Bott  
 Sakhisizwe Architects

**Revision 2**

**Specified by** Ursula Jansen

Ironmongery types	Doors	Items
505	M5.07, M5.08	<ul style="list-style-type: none"> <li>• 1.5 pair - DORMA DBB-SS-009 102x75x3mm stainless steel two ball bearing butt hinge</li> <li>• 1.0 pair - DORMA DPH301C 150x19mm stainless steel "D" shaped straight back-to-back pull handles</li> <li>• 2.0 only - 200mm x 200mm x 1.2mm grade 304 stainless steel push plate with hole to take DWC_006 4 holes pre_drilled for countersunk fixings</li> <li>• 0.0 - DORMA DPH301 b_b handles to be fixed through both push plates to architect's detail</li> <li>• 1.0 pair - DORMA DWC-006 stainless steel WC indicator with 79mm turn knob for physically impaired.</li> <li>• 1.0 each - DORMA DMWC-SS-008 Bathroom/WC dead lock (small case).</li> <li>• 1.0 each - DORMA DDS-SS-020 stainless steel wall buffer</li> </ul>

# NEW JOZINI HEALTH CLINIC

## DOOR & IRONMONGERY SCHEDULE

S264/400-M7 - REV 0

25.03.2014

*THIS SCHEDULE IS FOR  
MODULE 7 ONLY*

### Department of Health Notes

ALL DOORS TO BEAR THE SABS MARKING

ALL MASONITE VENEERS TO BE 3mm TEMPERED HARDBOARD

VERTICAL & HORIZONTAL STILES TO BE 100mm FOR FIXING OF LOCKS AND HINGES

CORE CHIP TO RUN VERTICALLY

REFER TO TYPICAL PHOTOGRAPH SUPPLIED

**ISSUED FOR CONSTRUCTION**



SAKHISIZWE  
ARCHITECTS

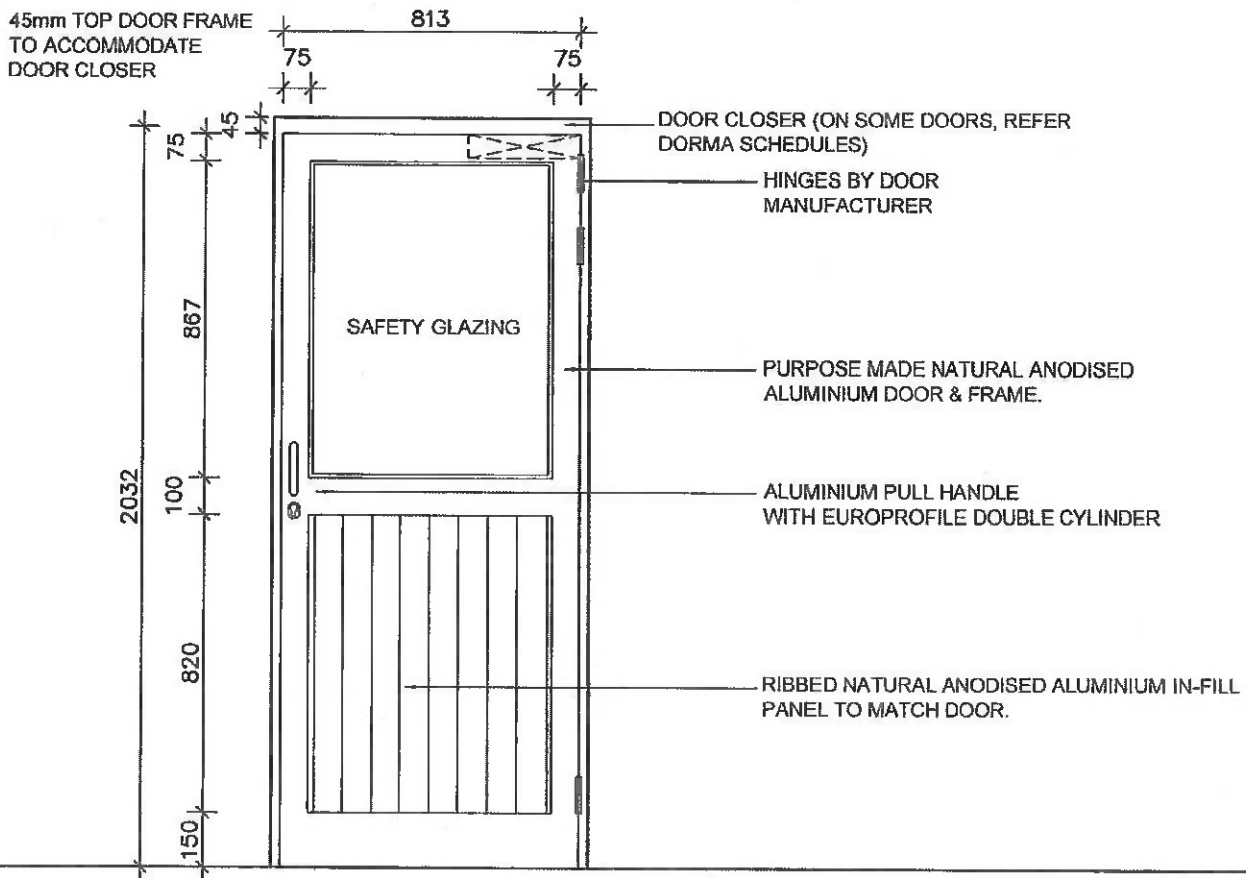
+ I N T E R I O R S

41 SWAPO ROAD (BROADWAY)  
DURBAN NORTH 4051  
PRIVATE BAG X12 GATEWAY 4323  
TEL: 031 963 3424 FAX: 031 963 3618  
EMAIL: info@sakhisizwearchitects.co.za



**DOOR SCHEDULE**

**DOOR TYPE : D3**



FFL

DESCRIPTION :	PURPOSE MADE 813 x 2032 NATURAL ANODISED ALUMINIUM SINGLE DOOR WITH NATURAL ANODISED RIBBED ALUMINIUM BOTTOM PANEL TO MATCH DOOR
FRAME :	NATURAL ANODISED ALUMINIUM FRAME TO SUIT DOOR AND WALL
HINGES :	ALUMINIUM SINKLESS HINGES TO SUIT DOOR
GLAZING:	SAFETY GLAZED PANEL TO DOOR AS SHOWN
IRONMONGERY :	NATURAL ANODISED ALUMINIUM LEVER HANDLE ON SLIMLINE BACKPLATE WITH EUROPROFILE DOUBLE CYLINDER (REFER DORMA SCHEDULES)
SIGNAGE :	TO FUTURE DETAIL

**GENERAL NOTES:**  
 DOOR SWINGS AND POSITIONS TO BE CALCULATED FROM THE DOOR REFERENCE PLANS.  
 ALL DIMENSIONS ARE TO BE CHECKED ON SITE BY THE CONTRACTOR PRIOR TO CONSTRUCTION.  
 ANY DISCREPANCIES ON THIS DRAWING ARE TO BE REPORTED TO THE OFFICE OF THE ARCHITECT PRIOR TO CONSTRUCTION.  
 ALL ALUMINIUM AND STEEL IS TO BE ISOLATED FROM ONE ANOTHER TO PREVENT GALVANIC ACTION.  
 ALL QUANTITIES ARE TO BE CHECKED ON SITE BY THE CONTRACTOR PRIOR TO PLACING ORDERS.  
 ALL UNDERCUTTING OF DOORS IS TO BE CALCULATED FROM MECHANICAL DETAILED CONSTRUCTION DRAWINGS.  
 ALL SHOP FRONT DOORS ARE TO BE AAAMSA APPROVED.

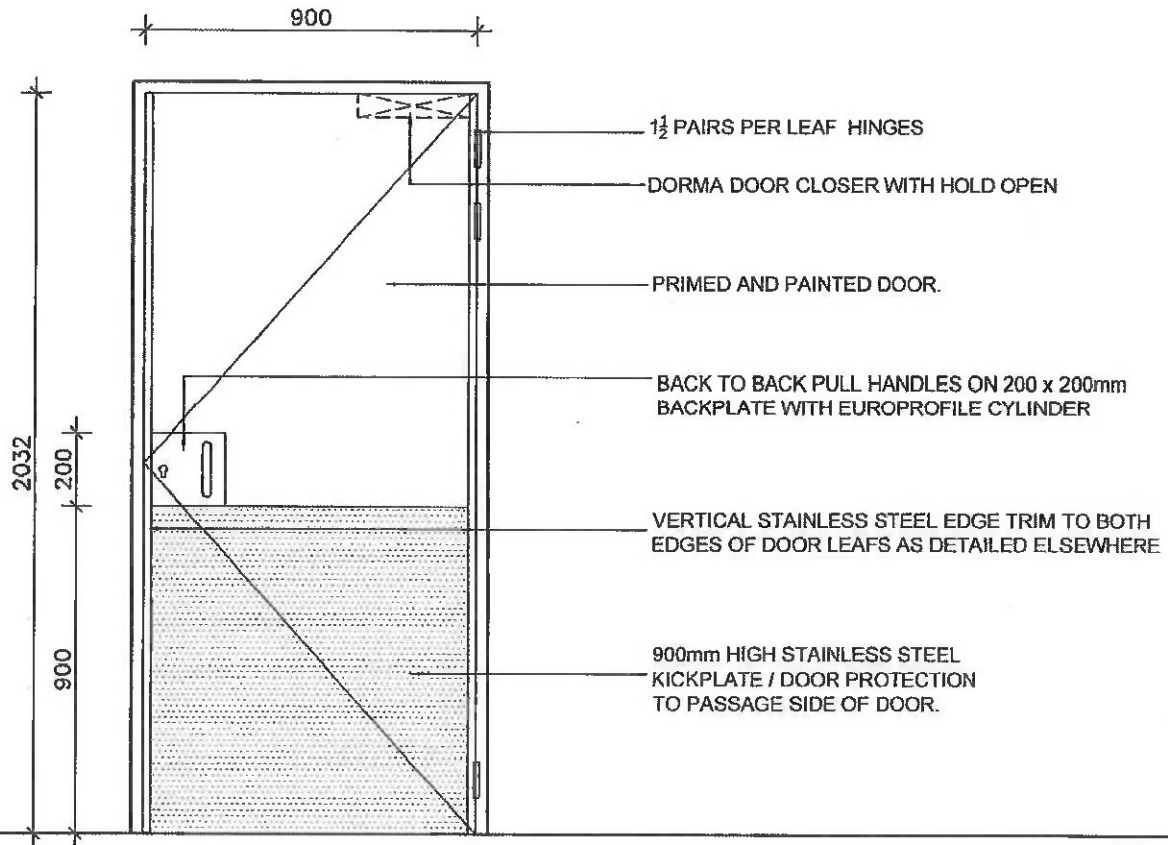


+ I N T E R I O R S

41 SWAPO ROAD (BROADWAY)  
 DURBAN NORTH 4051  
 PRIVATE BAG X12 GATEWAY 4321  
 TEL : 031 563 3424 FAX: 031 563 2618  
 EMAIL: info@sakhisizwearchitects.co.za

**DOOR SCHEDULE**

**DOOR TYPE : D4-A**



DESCRIPTION :	2032x813x40mm SOLIDCORE TIMBER SINGLE DOOR. PRIMED AND PAINTED WITH 2 COATS PLASCON VELVALGO APPLIED IN STRICT ACCORDANCE WITH THE MANUFACTURES SPECIFICATIONS OR EQUAL APPROVED COLOUR: REFER TO FINISHES SCHEDULES. VERTICAL EDGES DRESSED IN STAINLESS STEEL AS PER DETAIL 'A'. 900mm HIGH x 1.2mm THICK GRADE 304 STAINLESS STEEL KICK PLATE TO PASSAGE SIDE ONLY GLUED AND SCREWED WITH COUNTERSUNK STAINLESS STEEL SCREWS @ 150mm C/C AS SHOWN.
FRAME :	STAINLESS STEEL PRESSED METAL FRAME TO SUIT WALL THICKNESS. FRAME PROFILE TO BE PER DETAIL "D"
HINGES :	1 1/2 PAIRS STAINLESS STEEL HINGES PER LEAF
GLAZING:	N/A
IRONMONGERY :	150mm BACK TO BACK PULL HANDLES ON 200 x 200 BACKPLATES TO BOTH SIDES OF DOOR EUROPROFILE DOUBLE CYLINDER LOCK DOOR CLOSER WITH HOLD OPEN (REFER DORMA SCHEDULES)
SIGNAGE :	TO FUTURE DETAIL

**GENERAL NOTES:**

DOOR SWINGS AND POSITIONS TO BE CALCULATED FROM THE DOOR REFERENCE PLANS.  
ALL DIMENSIONS ARE TO BE CHECKED ON SITE BY THE CONTRACTOR PRIOR TO CONSTRUCTION.  
ANY DISCREPANCIES ON THIS DRAWING ARE TO BE REPORTED TO THE OFFICE OF THE ARCHITECT PRIOR TO CONSTRUCTION.  
ALL ALUMINIUM AND STEEL IS TO BE ISOLATED FROM ONE ANOTHER TO PREVENT GALVANIC ACTION.  
ALL QUANTITIES ARE TO BE CHECKED ON SITE BY THE CONTRACTOR PRIOR TO PLACING ORDERS.  
ALL UNDERCUTTING OF DOORS IS TO BE CALCULATED FROM MECHANICAL DETAILED CONSTRUCTION DRAWINGS.  
ALL SHOP FRONT DOORS ARE TO BE AAAMSA APPROVED.

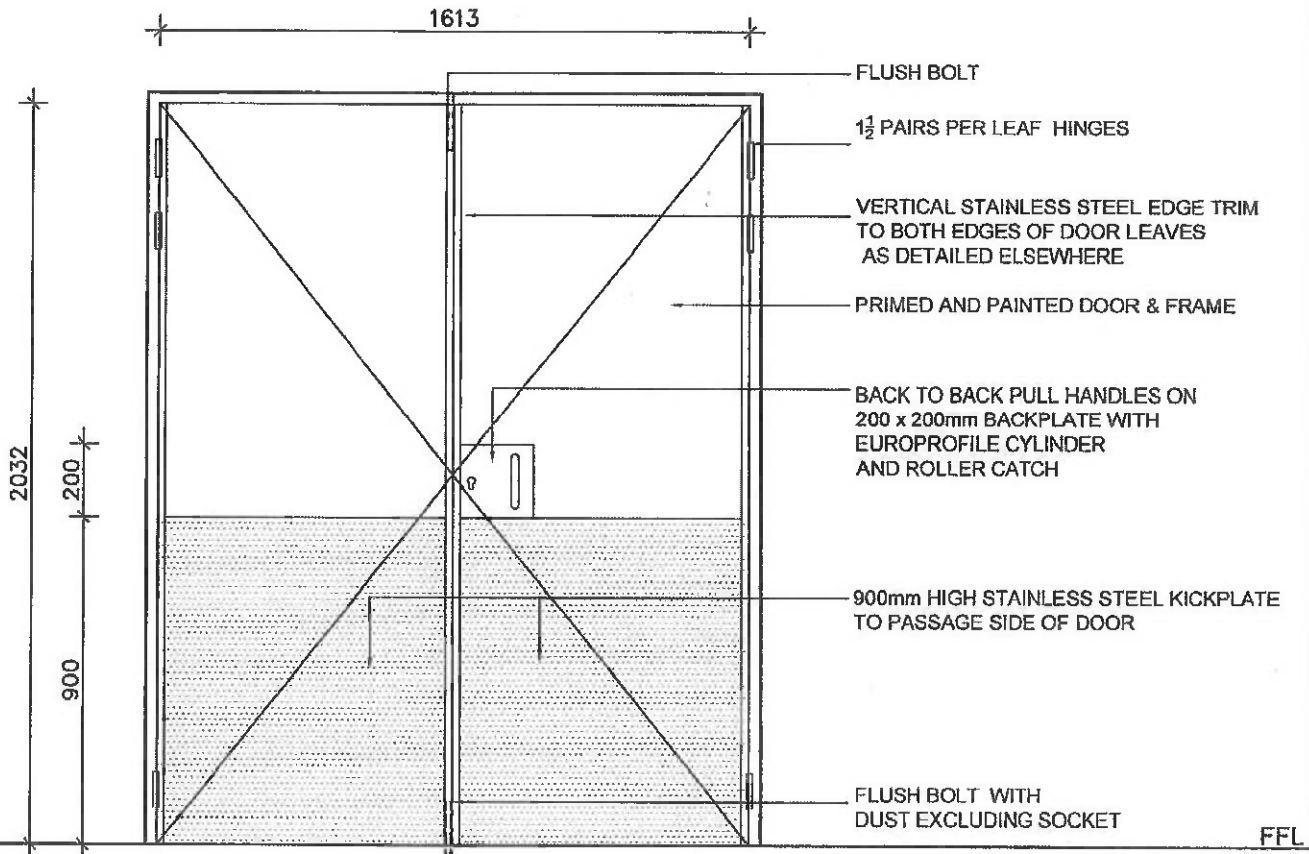


INTERIORS

41 SWAPO ROAD (BROADWAY)  
DURBAN NORTH 4051  
PRIVATE BAG X12 GATEWAY 4321  
TEL : 031 563 3424 FAX: 031 563 3018  
EMAIL: info@sakhisizwearchitects.co.za

**DOOR SCHEDULE**

**DOOR TYPE : D12**



DESCRIPTION :	2032x1613x40mm SOLIDCORE TIMBER DOOR IN TWO EQUAL LEAVES , WITH REBATED MEETING STILES AS PER DETAIL 'C'. PRIMED AND PAINTED WITH 2 COATS PLASCON VELVALGO APPLIED IN STRICT ACCORDANCE WITH THE MANUFACTURES SPECIFICATIONS OR EQUAL APPROVED COLOUR: REFER TO FINISHES SCHEDULES. VERTICAL EDGES ON HINGE SIDE DRESSED IN STAINLESS STEEL AS PER DETAIL 'A'. 900mm HIGH x 1.2mm THICK GRADE 304 STAINLESS STEEL KICK PLATE TO PASSAGE SIDE ONLY GLUED AND SCREWED WITH COUNTERSUNK STAINLESS STEEL SCREWS @ 150mm C/C AS SHOWN.
FRAME :	STAINLESS STEEL PRESSED METAL FRAME TO SUIT WALL THICKNESS. FRAME PROFILE TO BE PER DETAIL 'D'
HINGES :	1½ PAIRS STAINLESS STEEL HINGES PER LEAF
GLAZING:	N/A
IRONMONGERY :	150mm BACK TO BACK PULLHANDLES ON 200 x 200 BACKPLATES TO BOTH SIDES OF DOOR, FLUSHBOLTS EUROPROFILE DOUBLE CYLINDER WITH ROLLER CATCH (REFER DORMA SCHEDULES)
SIGNAGE :	TO FUTURE DETAIL

**GENERAL NOTES:**  
 DOOR SWINGS AND POSITIONS TO BE CALCULATED FROM THE DOOR REFERENCE PLANS.  
 ALL DIMENSIONS ARE TO BE CHECKED ON SITE BY THE CONTRACTOR PRIOR TO CONSTRUCTION.  
 ANY DISCREPANCIES ON THIS DRAWING ARE TO BE REPORTED TO THE OFFICE OF THE ARCHITECT PRIOR TO CONSTRUCTION.  
 ALL ALUMINIUM AND STEEL IS TO BE ISOLATED FROM ONE ANOTHER TO PREVENT GALVANIC ACTION.  
 ALL QUANTITIES ARE TO BE CHECKED ON SITE BY THE CONTRACTOR PRIOR TO PLACING ORDERS.  
 ALL UNDERCUTTING OF DOORS IS TO BE CALCULATED FROM MECHANICAL DETAILED CONSTRUCTION DRAWINGS.  
 ALL SHOP FRONT DOORS ARE TO BE AAAMSA APPROVED.

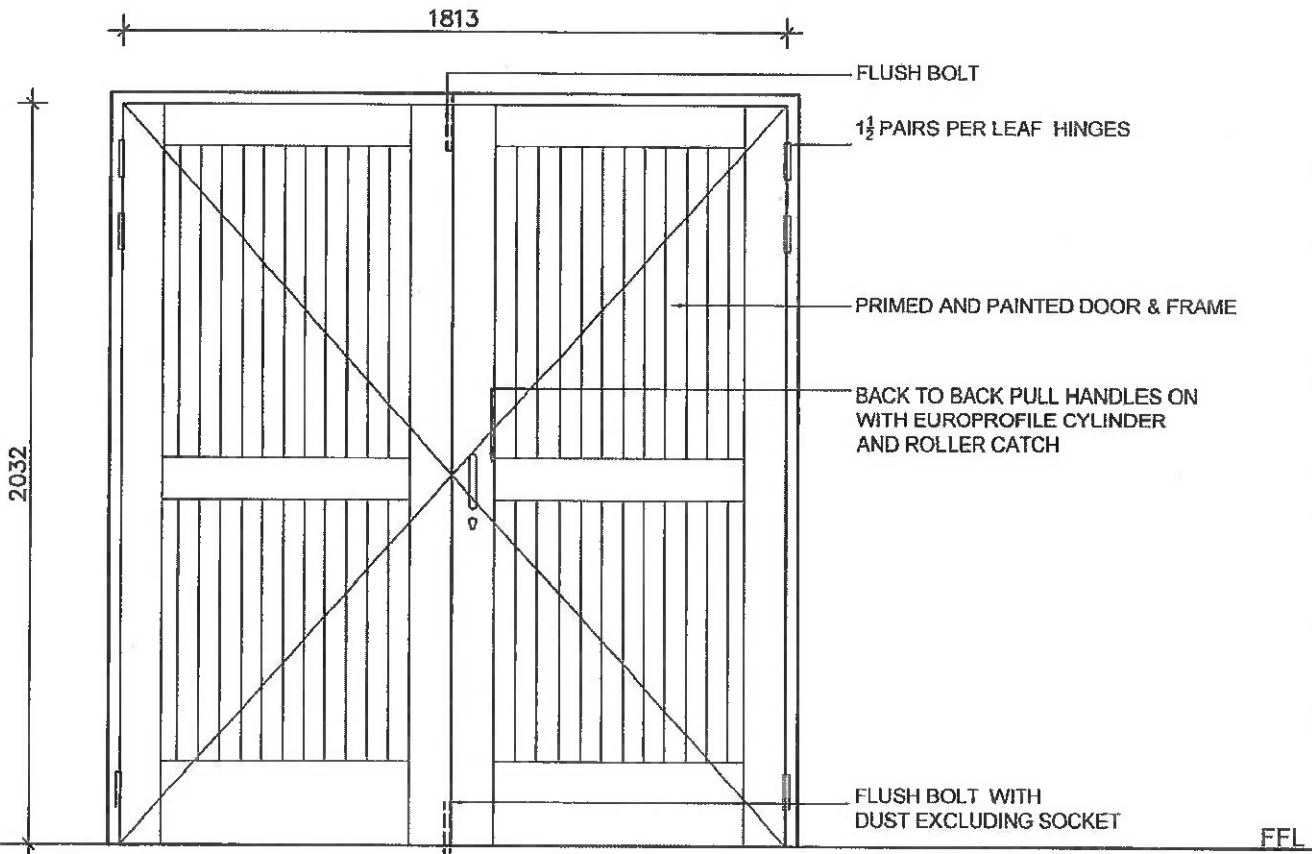
**SAKHISIZWE**  
ARCHITECTS  
+ I N T E R I O R S

41 SWAPO ROAD (BROADWAY)  
DURBAN NORTH 4051  
PRIVATE BAG X12, GATEWAY 4321  
TEL: 031 563 3424 FAX: 031 563 2616  
EMAIL: info@sakhisizwearchitects.co.za

**DOOR SCHEDULE**

**DOOR TYPE : D12-1**

FOR EXTERNAL USE



DESCRIPTION :	2032x1813x44mm HARDWOOD BATTEN AND BRACED DOUBLE DOOR IN TWO EQUAL LEAVES , WITH REBATED MEETING STILES PRIMED AND PAINTED IN STRICT ACCORDANCE WITH THE MANUFACTURES SPECIFICATIONS OR EQUAL APPROVED COLOUR: REFER TO FINISHES SCHEDULES.
FRAME :	STAINLESS STEEL PRESSED METAL FRAME TO SUIT WALL THICKNESS. FRAME PROFILE TO BE PER DETAIL 'D'
HINGES :	1 1/2 PAIRS STAINLESS STEEL HINGES PER LEAF
GLAZING:	N/A
IRONMONGERY :	REFER DORMA SCHEDULES ATTACHED
SIGNAGE :	TO FUTURE DETAIL

**GENERAL NOTES:**

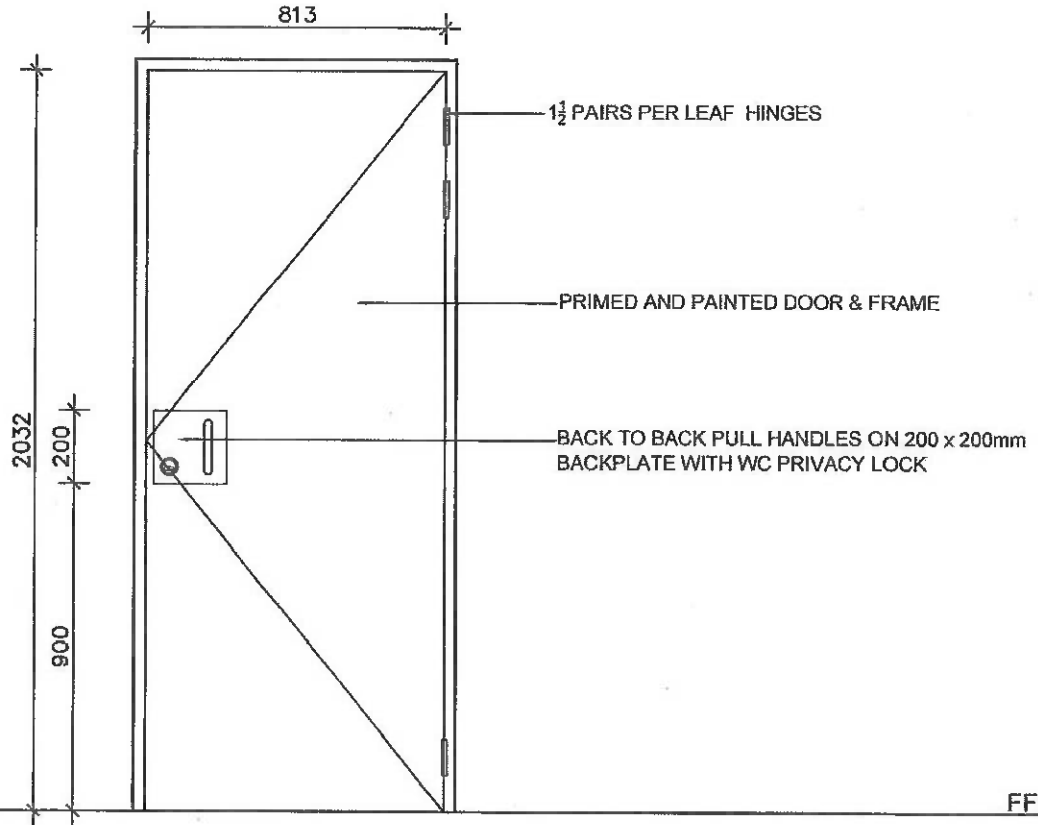
DOOR SWINGS AND POSITIONS TO BE CALCULATED FROM THE DOOR REFERENCE PLANS.  
 ALL DIMENSIONS ARE TO BE CHECKED ON SITE BY THE CONTRACTOR PRIOR TO CONSTRUCTION.  
 ANY DISCREPANCIES ON THIS DRAWING ARE TO BE REPORTED TO THE OFFICE OF THE ARCHITECT PRIOR TO CONSTRUCTION.  
 ALL ALUMINIUM AND STEEL IS TO BE ISOLATED FROM ONE ANOTHER TO PREVENT GALVANIC ACTION.  
 ALL QUANTITIES ARE TO BE CHECKED ON SITE BY THE CONTRACTOR PRIOR TO PLACING ORDERS.  
 ALL UNDERCUTTING OF DOORS IS TO BE CALCULATED FROM MECHANICAL DETAILED CONSTRUCTION DRAWINGS.  
 ALL SHOP FRONT DOORS ARE TO BE AAAMSA APPROVED.



41 SWAPO ROAD (BROADWAY)  
 DURBAN NORTH 4051  
 PRIVATE BAG X12 GATEWAY 4321  
 TEL : 031 563 3424 FAX: 031 563 3518  
 EMAIL: info@sakhisizwearchitects.co.za

**DOOR SCHEDULE**

**DOOR TYPE : D15**



DESCRIPTION :	2032x813x40mm SOLIDCORE TIMBER SINGLE DOOR. PRIMED AND PAINTED WITH 2 COATS MARMORAN MARMOSILK APPLIED IN STRICT ACCORDANCE WITH THE MANUFACTURES SPECIFICATIONS OR EQUAL APPROVED COLOUR: REFER TO FINISHES SCHEDULES.
FRAME :	STAINLESS STEEL PRESSED METAL FRAME TO SUIT WALL THICKNESS. FRAME PROFILE TO BE PER DETAIL "D"
HINGES :	1½ PAIRS STAINLESS STEEL HINGES PER LEAF
GLAZING:	N/A
IRONMONGERY :	REFER DORMA SCHEDULES ATTACHED
SIGNAGE :	TO FUTURE DETAIL

**GENERAL NOTES:**  
 DOOR SWINGS AND POSITIONS TO BE CALCULATED FROM THE DOOR REFERENCE PLANS.  
 ALL DIMENSIONS ARE TO BE CHECKED ON SITE BY THE CONTRACTOR PRIOR TO CONSTRUCTION.  
 ANY DISCREPANCIES ON THIS DRAWING ARE TO BE REPORTED TO THE OFFICE OF THE ARCHITECT PRIOR TO CONSTRUCTION.  
 ALL ALUMINIUM AND STEEL IS TO BE ISOLATED FROM ONE ANOTHER TO PREVENT GALVANIC ACTION.  
 ALL QUANTITIES ARE TO BE CHECKED ON SITE BY THE CONTRACTOR PRIOR TO PLACING ORDERS.  
 ALL UNDERCUTTING OF DOORS IS TO BE CALCULATED FROM MECHANICAL DETAILED CONSTRUCTION DRAWINGS.  
 ALL SHOP FRONT DOORS ARE TO BE AAAMSA APPROVED.

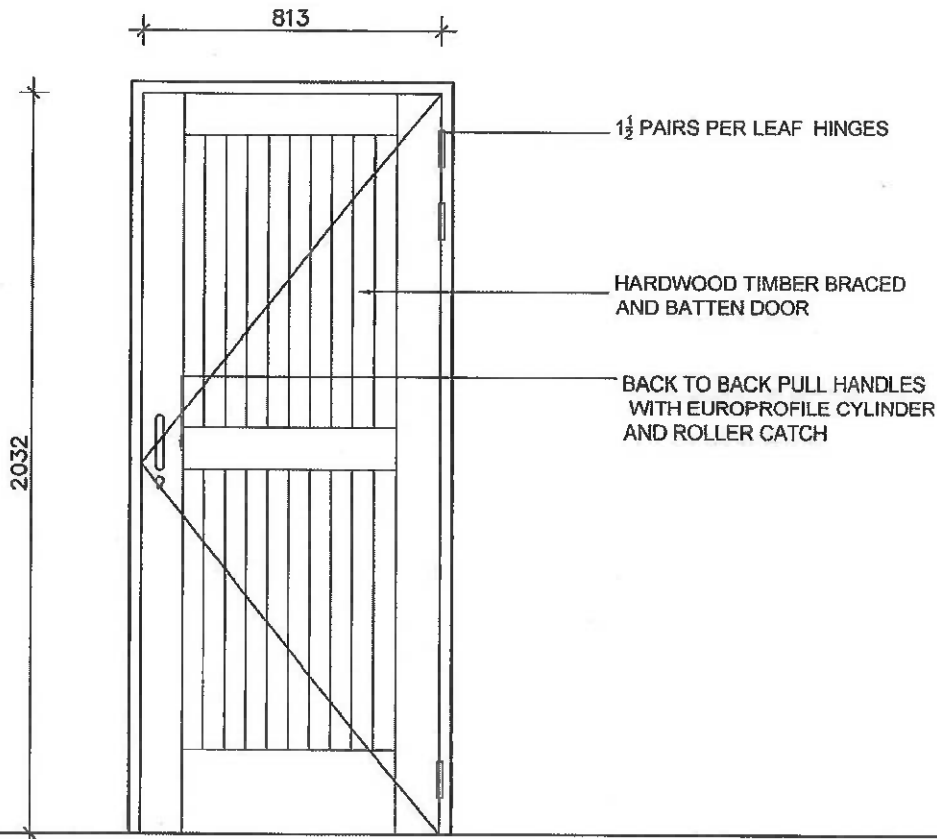
**SAKHISIZWE**  
 ARCHITECTS  
 INTERIORS

41 SWAPO ROAD (BROADWAY)  
 DURBAN NORTH 4051  
 PRIVATE BAG X12 GATEWAY 4321  
 TEL : 031 563 3424 FAX: 031 963 9519  
 EMAIL: info@sakhisizwe.co.za

**DOOR SCHEDULE**

**DOOR TYPE : D29**

FOR EXTERNAL USE



DESCRIPTION :	2032x813x44mm STANDARD HARDWOOD FRAMED BATTEN AND BRACED DOOR PRIMED AND PAINTED IN STRICT ACCORDANCE WITH THE MANUFACTURES SPECIFICATIONS. COLOUR: REFER TO FINISHES SCHEDULES.
FRAME :	STAINLESS STEEL PRESSED METAL FRAME TO SUIT WALL THICKNESS. FRAME PROFILE TO BE PER DETAIL 'D'
HINGES :	1 1/2 PAIRS STAINLESS STEEL HINGES PER LEAF
GLAZING:	N/A
IRONMONGERY :	REFER DORMA SCHEDULES ATTACHED
SIGNAGE :	TO FUTURE DETAIL

**GENERAL NOTES:**  
 DOOR SWINGS AND POSITIONS TO BE CALCULATED FROM THE DOOR REFERENCE PLANS.  
 ALL DIMENSIONS ARE TO BE CHECKED ON SITE BY THE CONTRACTOR PRIOR TO CONSTRUCTION.  
 ANY DISCREPANCIES ON THIS DRAWING ARE TO BE REPORTED TO THE OFFICE OF THE ARCHITECT PRIOR TO CONSTRUCTION.  
 ALL ALUMINIUM AND STEEL IS TO BE ISOLATED FROM ONE ANOTHER TO PREVENT GALVANIC ACTION.  
 ALL QUANTITIES ARE TO BE CHECKED ON SITE BY THE CONTRACTOR PRIOR TO PLACING ORDERS.  
 ALL UNDERCUTTING OF DOORS IS TO BE CALCULATED FROM MECHANICAL DETAILED CONSTRUCTION DRAWINGS.  
 ALL SHOP FRONT DOORS ARE TO BE AAAMSA APPROVED.

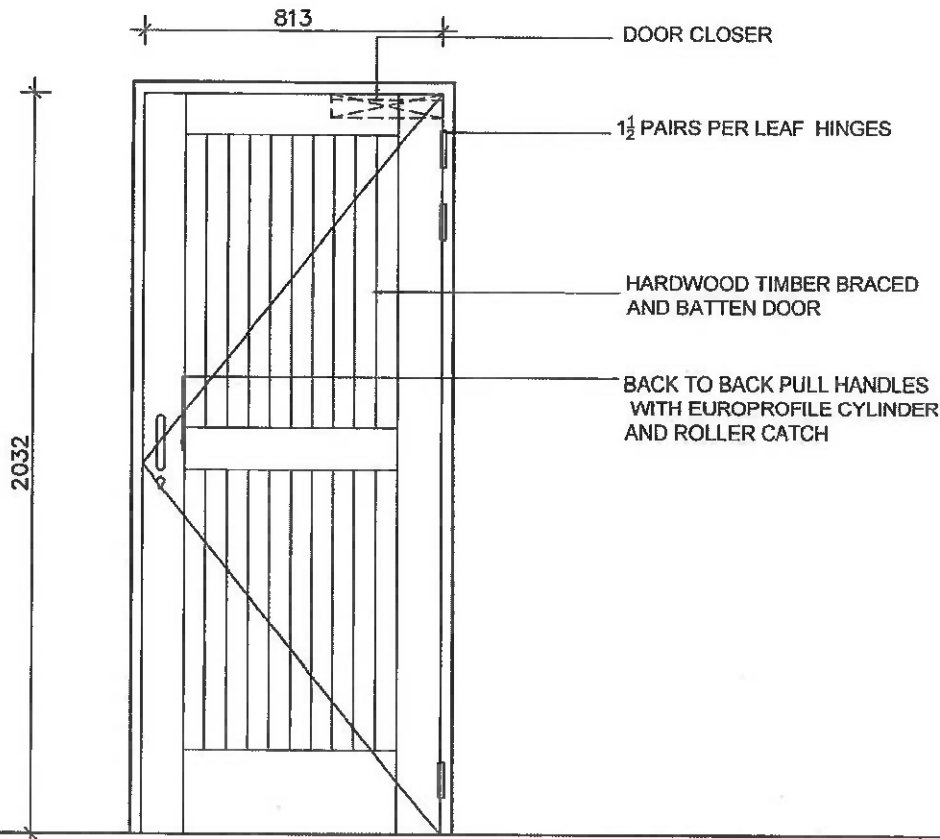
**SAKHISIZWE**  
 ARCHITECTS  
 + I N T E R I O R S

41 SWAPO ROAD (BROADWAY)  
 DURBAN NORTH 4051  
 PRIVATE BAG X12 GATEWAY 4321  
 TEL : 031 663 3424 FAX: 031 563 3518  
 EMAIL: info@sakhisizwearchitects.co.za

**DOOR SCHEDULE**

**DOOR TYPE : D29-1**

FOR EXTERNAL USE



DESCRIPTION :	2032x813x44mm STANDARD HARDWOOD FRAMED BATTEN AND BRACED DOOR PRIMED AND PAINTED IN STRICT ACCORDANCE WITH THE MANUFACTURES SPECIFICATIONS. COLOUR: REFER TO FINISHES SCHEDULES.
FRAME :	STAINLESS STEEL PRESSED METAL FRAME TO SUIT WALL THICKNESS. FRAME PROFILE TO BE PER DETAIL "D"
HINGES :	1 1/2 PAIRS STAINLESS STEEL HINGES PER LEAF
GLAZING:	N/A
IRONMONGERY :	150mm BACK TO BACK PULL HANDLES ON TO BOTH SIDES OF DOOR EUROPROFILE DOUBLE CYLINDER LOCK WITH ROLLER CATCH (REFER DORMA SCHEDULES)
SIGNAGE :	TO FUTURE DETAIL

**GENERAL NOTES:**  
 DOOR SWINGS AND POSITIONS TO BE CALCULATED FROM THE DOOR REFERENCE PLANS.  
 ALL DIMENSIONS ARE TO BE CHECKED ON SITE BY THE CONTRACTOR PRIOR TO CONSTRUCTION.  
 ANY DISCREPANCIES ON THIS DRAWING ARE TO BE REPORTED TO THE OFFICE OF THE ARCHITECT PRIOR TO CONSTRUCTION.  
 ALL ALUMINIUM AND STEEL IS TO BE ISOLATED FROM ONE ANOTHER TO PREVENT GALVANIC ACTION.  
 ALL QUANTITIES ARE TO BE CHECKED ON SITE BY THE CONTRACTOR PRIOR TO PLACING ORDERS.  
 ALL UNDERCUTTING OF DOORS IS TO BE CALCULATED FROM MECHANICAL DETAILED CONSTRUCTION DRAWINGS.  
 ALL SHOP FRONT DOORS ARE TO BE AAAMSA APPROVED.



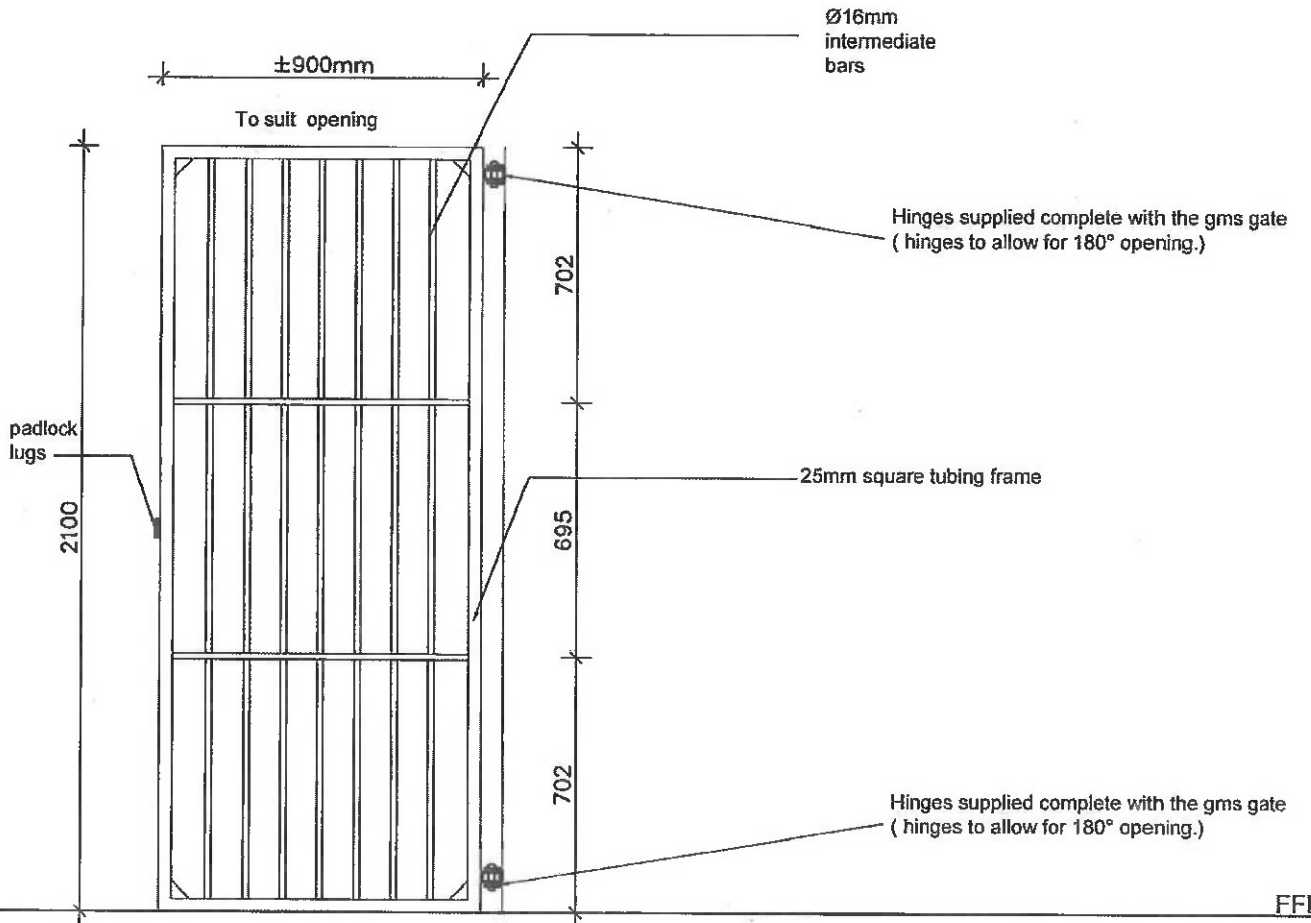
**SAKHISIZWE**  
ARCHITECTS

+ I N T E R I O R S

41 SWAPO ROAD (BROADWAY)  
DURBAN NORTH 4051  
PRIVATE BAG #12 GATEWAY 432  
TEL: 031 563 3424 FAX: 031 553 2518  
EMAIL: info@sakhisizwearchitects.co.za

**DOOR SCHEDULE**

**DOOR TYPE : G1**



DESCRIPTION :	HOT DIPPED GALVANISED MILD STEEL WELDED GATE, WITH 25mm SQUARE TUBE FRAME AND 16mm INTERMEDIATE BARS AT MIN 100mm CENTRES  OPENINGS TO BE CHECKED ON SITE  GATE IS UNPAINTED
FRAME :	N/A
HINGES :	AS SUPPLIED BY MANUFACTURER TO SUIT GATE
GLAZING:	N/A
IRONMONGERY :	HIGH SECURITY, HEAVY DUTY PADLOCK & KEYS
SIGNAGE :	TO FUTURE DETAIL

**GENERAL NOTES:**  
 DOOR SWINGS AND POSITIONS TO BE CALCULATED FROM THE DOOR REFERENCE PLANS.  
 ALL DIMENSIONS ARE TO BE CHECKED ON SITE BY THE CONTRACTOR PRIOR TO CONSTRUCTION.  
 ANY DISCREPANCIES ON THIS DRAWING ARE TO BE REPORTED TO THE OFFICE OF THE ARCHITECT PRIOR TO CONSTRUCTION.  
 ALL ALUMINIUM AND STEEL IS TO BE ISOLATED FROM ONE ANOTHER TO PREVENT GALVANIC ACTION.  
 ALL QUANTITIES ARE TO BE CHECKED ON-SITE BY THE CONTRACTOR PRIOR TO PLACING ORDERS.  
 ALL UNDERCUTTING OF DOORS IS TO BE CALCULATED FROM MECHANICAL DETAILED CONSTRUCTION DRAWINGS.  
 ALL SHOP FRONT DOORS ARE TO BE AAAMSA APPROVED.

**SAKHISIZWE**  
 ARCHITECTS  
 + I N T E R I O R S

41 SWAPO ROAD (BROCKWAY)  
 DURBAN NORTH 4001  
 PRIVATE BAG X12 GATEWAY 4331  
 TEL : 031 563 3424 FAX: 031 563 3518  
 EMAIL: info@sakhisizwearchitects.co.za



Proposed  
**IRONMONGERY TYPES**



**Project** Jozini Community Health Centre \_ Module 7 (Maintenance / Mortuary) \_ Timber Doors

**Date** 24-01-2013

**Architects** Megan Bott  
Sakhisizwe Architects

**Revision** 2

**Specified by** Ursula Jansen

Ironmongery types	Doors	Items
701	M7.01	<ul style="list-style-type: none"> <li>• 3.0 pair - DORMA DBB-SS-009 102x75x3mm stainless steel two ball bearing butt hinge</li> <li>• 1.0 pair - DORMA DPH301C 150x19mm stainless steel "D" shaped straight back-to-back pull handles</li> <li>• 1.0 each - DORMA D037D euro-profile cylinder dead lock SS</li> <li>• 1.0 each - Dorma DDC056501 nickel plated 65mm five pin euro-profile double cylinder</li> <li>• 2.0 each - DORMA DCE-002 stainless steel euro profile escutcheon</li> <li>• 1.0 only - Erebus heavy duty adjustable roller bolt.</li> <li>• 1.0 each - DORMA D038R Rebate conversion kit for euro-profile locks SS</li> <li>• 1.0 only - D037D/37 deadlock strike</li> <li>• 2.0 only - DORMA DFB-SC-180/150 150mm Satin Chrome flush bolt with heel</li> <li>• 1.0 each - DORMA DPS-SS-032 dust proof socket</li> <li>• 2.0 only - Halstead 166 cabin hook 150mm (Sat Chrome)</li> </ul>
702	M7.03, M7.04, M7.07	<ul style="list-style-type: none"> <li>• 3.0 pair - DORMA DBB-SS-009 102x75x3mm stainless steel two ball bearing butt hinge</li> <li>• 1.0 pair - DORMA DPH301C 150x19mm stainless steel "D" shaped straight back-to-back pull handles</li> <li>• 2.0 only - 200mm x 200mm x 1.2mm grade 304 stainless steel push plate with cylinder cut out; 4 holes pre_drilled for countersunk fixings</li> <li>• 0.0 - DORMA DPH301 b_b handles to be fixed through both push plates to architect's detail</li> <li>• 1.0 each - DORMA D037D euro-profile cylinder dead lock SS</li> <li>• 1.0 each - Dorma DDC056501 nickel plated 65mm five pin euro-profile double cylinder</li> <li>• 1.0 each - DORMA D038R Rebate conversion kit for euro-profile locks SS</li> <li>• 1.0 only - D037D/37 deadlock strike</li> <li>• 1.0 only - Erebus heavy duty adjustable roller bolt.</li> <li>• 2.0 only - DORMA DFB-SC-180/150 150mm Satin Chrome flush bolt with heel</li> <li>• 2.0 only - 38mm black rubber door stop</li> </ul>
703	M7.06	<ul style="list-style-type: none"> <li>• 1.5 pair - DORMA DBB-SS-009 102x75x3mm stainless steel two ball bearing butt hinge</li> <li>• 1.0 each - DORMA TS91B/EN3-RF slide channel door closer- hold open function</li> <li>• 1.0 pair - DORMA DPH301C 150x19mm stainless steel "D" shaped straight back-to-back pull handles</li> <li>• 2.0 only - 200mm x 200mm x 1.2mm grade 304 stainless steel push plate with cylinder cut out; 4 holes pre_drilled for countersunk fixings</li> <li>• 0.0 - DORMA DPH301 b_b handles to be fixed through both push plates to architect's detail</li> <li>• 1.0 each - DORMA D037D euro-profile cylinder dead lock SS</li> <li>• 1.0 each - Dorma DDC056501 nickel plated 65mm five pin euro-profile double cylinder</li> <li>• 1.0 only - 38mm black rubber door stop</li> </ul>

Proposed  
IRONMONGERY TYPES



**Project** Jozini Community Health Centre \_ Module 7 (Maintenance / Mortuary) \_ Timber Doors

**Date** 24-01-2013

**Architects** Megan Bott  
Sakhisizwe Architects

**Revision** 2

**Specified by** Ursula Jansen

Ironmongery types	Doors	Items
704	M7.08, M7.09, M7.11, M7.12, M7.13, M7.14, M7.16, M7.17	<ul style="list-style-type: none"> <li>• 1.5 pair - DORMA DBB-SS-009 102x75x3mm stainless steel two ball bearing butt hinge</li> <li>• 1.0 pair - DORMA DPH301C 150x19mm stainless steel "D" shaped straight back-to-back pull handles</li> <li>• 2.0 only - 200mm x 200mm x 1.2mm grade 304 stainless steel push plate with hole to take DWC_006; 4 holes pre_drilled for countersunk fixings</li> <li>• 0.0 - DORMA DPH301 b_b handles to be fixed through both push plates to architect's detail</li> <li>• 1.0 pair - DORMA DWC-006 stainless steel WC indicator with 79mm turn knob for physically impaired.</li> <li>• 1.0 each - DORMA DMWC-SS-008 Bathroom/WC dead lock (small case).</li> <li>• 1.0 only - Erebus heavy duty adjustable roller bolt.</li> <li>• 1.0 each - DORMA DDS-SS-020 stainless steel wall buffer</li> </ul>
705	M7.10	<ul style="list-style-type: none"> <li>• 1.5 pair - DORMA DBB-SS-009 102x75x3mm stainless steel two ball bearing butt hinge</li> <li>• 1.0 each - DORMA TS93B/EN2-5 slide channel door closer  pull side fitting - non hold open</li> <li>• 1.0 pair - DORMA DPH301C 150x19mm stainless steel "D" shaped straight back-to-back pull handles</li> <li>• 1.0 each - DORMA D037D euro-profile cylinder dead lock SS</li> <li>• 1.0 each - Dorma DDC056501 nickel plated 65mm five pin euro-profile double cylinder</li> <li>• 2.0 each - DORMA DCE-002 stainless steel euro profile escutcheon</li> <li>• 1.0 each - Dorma DSS-131 stainless steel 150x150mm FEMALE sign</li> <li>• 1.0 only - 38mm black rubber door stop</li> </ul>
706	M7.15	<ul style="list-style-type: none"> <li>• 1.5 pair - DORMA DBB-SS-009 102x75x3mm stainless steel two ball bearing butt hinge</li> <li>• 1.0 each - DORMA TS93B/EN2-5 slide channel door closer  pull side fitting - non hold open</li> <li>• 1.0 pair - DORMA DPH301C 150x19mm stainless steel "D" shaped straight back-to-back pull handles</li> <li>• 1.0 each - DORMA D037D euro-profile cylinder dead lock SS</li> <li>• 1.0 each - Dorma DDC056501 nickel plated 65mm five pin euro-profile double cylinder</li> <li>• 2.0 each - DORMA DCE-002 stainless steel euro profile escutcheon</li> <li>• 1.0 only - 38mm black rubber door stop</li> <li>• 1.0 each - Dorma DSS-130 stainless steel 150x150mm MALE sign</li> </ul>

Proposed  
**IRONMONGERY TYPES**



**Project** Jozini Community Health Centre \_ Module 7 / MAINTENANCE Date 24-01-2013  
 Timber Doors

**Architects** Megan Bott  
 Sakhisizwe Architects

**Revision 2**

**Specified by** Ursula Jansen

Ironmongery types	Doors	Items
707	D29	<ul style="list-style-type: none"> <li>• 1.5 pair - DORMA DBB-SS-009 102x75x3mm stainless steel two ball bearing butt hinge</li> <li>• 1.0 pair - DORMA DPH301C 150x19mm stainless steel "D" shaped straight back-to-back pull handles</li> <li>• 1.0 each - DORMA D037D euro-profile cylinder dead lock SS</li> <li>• 1.0 each - Dorma DDC056501 nickel plated 65mm five pin euro-profile double cylinder</li> <li>• 2.0 each - DORMA DCE-002 stainless steel euro profile escutcheon</li> <li>• 1.0 only - Erebus heavy duty adjustable roller bolt.</li> <li>• 1.0 only - 38mm black rubber door stop</li> </ul>

Proposed  
**IRONMONGERY TYPE - CONTROL LIST**



**Project** Jozini Community Health Centre \_ Module 7 (Maintenance / Mortuary) \_ Timber Doors  
**Architects** Megan Bott  
 Sakhisizwe Architects  
**Specified by** Ursula Jansen

**Date** 24-01-2013

**Revision** 2

Location	Area Ref.	Door No.	Han ding	Door / Frame type	Iron-mongery type	Notes	MK Ref
Kitchen / Dining	Module 7	M7.01	DD	D12 1	701		
Workshop	Module 7	M7.03	DD	D12	702	• roller bolt to be fitted at top of door	
Workshop	Module 7	M7.04	DD	D12	702	• roller bolt to be fitted at top of door	
Sluice	Module 7	M7.06	LH	D4 A	703		
Boxing Room	Module 7	M7.07	DD	D12	702	• roller bolt to be fitted at top of door	
Shower	Module 7	M7.08	RH	D15	704		
Shower	Module 7	M7.09	LH	D15	704		
Female Toilet	Module 7	M7.10	LH	D29 1	705		
WC	Module 7	M7.11	RH	D15	704		
WC	Module 7	M7.12	RH	D15	704		
Shower	Module 7	M7.13	RH	D15	704		
Shower	Module 7	M7.14	LH	D15	704		
Male Toilet	Module 7	M7.15	LH	D29 1	706		
WC	Module 7	M7.16	RH	D15	704		
WC	Module 7	M7.17	RH	D15	704		
OFFICE	Module 7	M7.19	RH	D29	707		
WORKSHOP	Module 7	M7.18	RH	D29	707		

**Proposed  
IRONMONGERY TYPES**



**Project** Jozini Community Health Centre \_ Module 7 (Maintenance / Mortuary) \_ Aluminium Doors

**Date** 24-01-2013

**Architects** Megan Bott  
Sakhisizwe Architects

**Revision** 2

**Specified by** Ursula Jansen

Ironmongery types	Doors	Items
701	M7.02, M7.05	<ul style="list-style-type: none"> <li>• 0.0 - Aluminium sinkless hinges by frame manufacturer</li> <li>• 1.0 pair - DORMA DPH206 400x32mm stainless steel "T" shaped offset back-to-back pull handle</li> <li>• 1.0 only - DORMA D07935, 35mm backset narrow stile deadlock &amp; roller bolt</li> <li>• 1.0 each - Dorma DDC056501 nickel plated 65mm five pin euro-profile double cylinder</li> <li>• 2.0 only - DORMA DCE-105 Narrow stile cylinder escutcheon</li> <li>• 1.0 only - 38mm black rubber door stop</li> </ul>

**Proposed**  
**IRONMONGERY TYPE - CONTROL LIST**

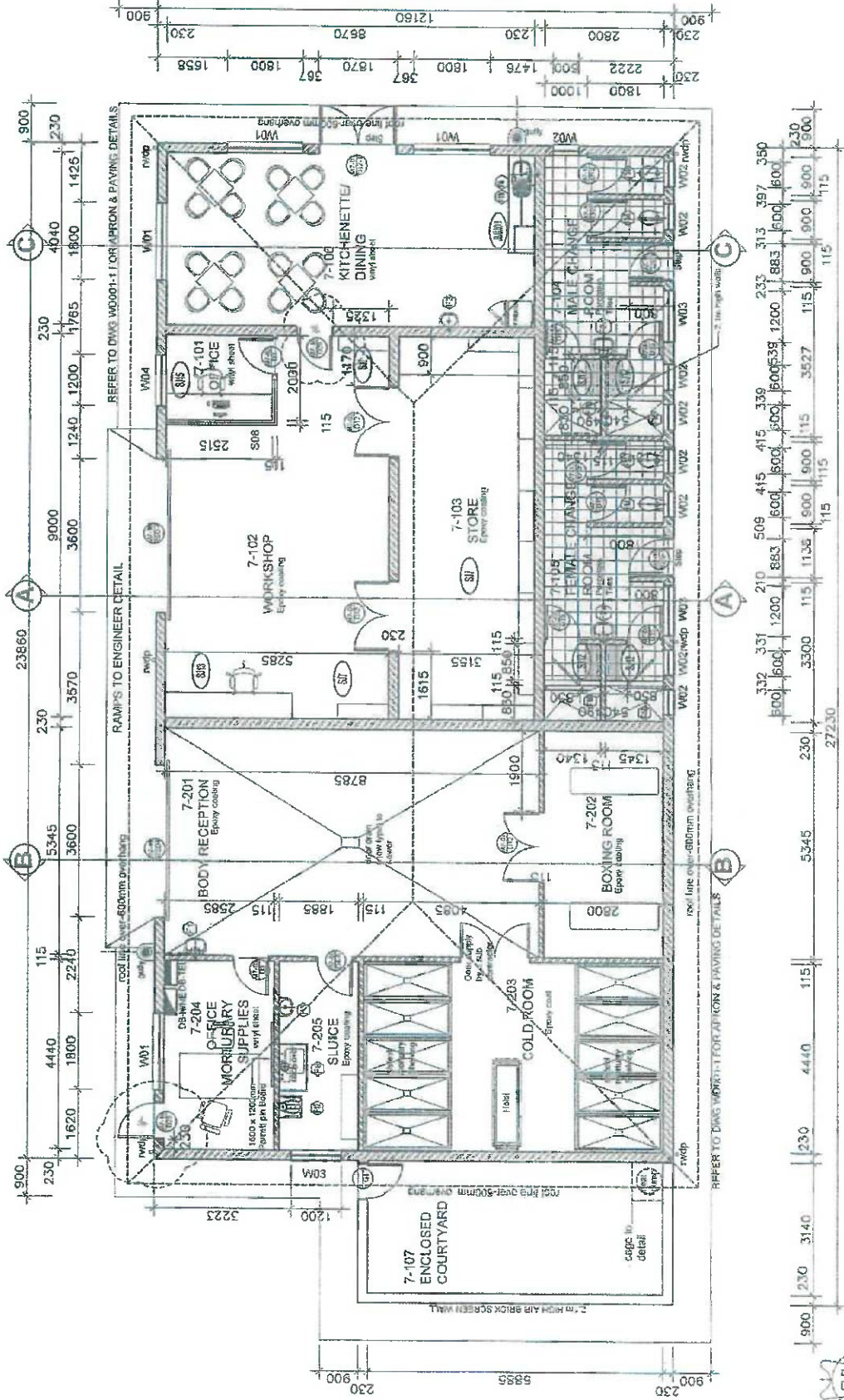


**Project** Jozini Community Health Centre \_ Module 7 (Maintenance /  
Mortuary) \_ Aluminium Doors  
**Architects** Megan Bott  
Sakhisizwe Architects  
**Specified by** Ursula Jansen

**Date** 24-01-2013  
**Revision** 2

Location	Area Ref.	Door No.	Handing	Door / Frame type	Iron-mongery type	Notes	MK Ref
Office	Module 7	M7.02	LH	D3	701		
Mortuary Supplies	Module 7	M7.05	RH	D3	701		





Module 7 - Floor plan  
Scale 1:100

\* NOTE: TOOL NUMBER, M1-19 & M1-16  
ARE TO BE USED FOR ADDITIONAL DOORS  
TYPE D29

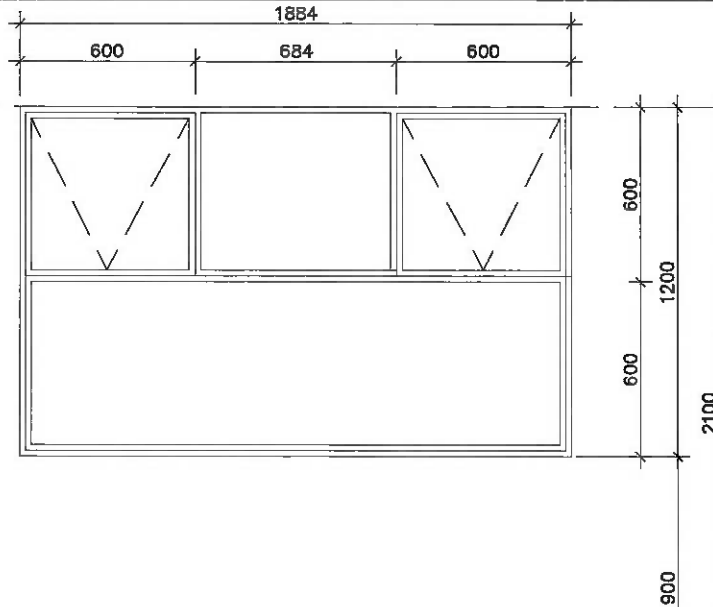
*This drawing to be  
used for door  
numbering only*

JOHN CHC - 25.03.2014

JOZINI COMMUNITY HEALTH CENTRE : WINDOW SCHEDULE

WINDOW TYPE : W 01

WINDOW LEVEL



TOP OF CONCRETE



ACTUAL WINDOW DIMENSIONS TO SUIT FACEBRICK COURSING OPENINGS TO BE MEASURED ON SITE PRIOR TO MANUFACTURE

LOCATION	LOCATION
• MODULE 5	• CRISIS CENTER
• MODULE 7	• CASUALTY
• MODULE 8	• MATERNITY
• MODULE 9	• WOMEN CHILD CARE
• MODULE 15	• ADMINISTRATION
• MODULE 16	• SHORTSTAY
• MODULE 19	• LAB
• MODULE 21	• CSSD
• MODULE 11	• DENTIST & REHABILITATION
• MODULE 23	• PHARMACY
	• COMMON DISEASE
	• COUNSELING
	• CHRONIC
	• STAFF RESTROOM
	• CORRIDOR

FRAME :	EPOXY POWDER COATED ALUMINIUM WINDOW WITH FIXED GLAZED BOTTOM PANEL AND TWO EQUAL TOP HUNG OPENING SECTIONS PERIMETER OF WINDOW TO BE SEALED WITH SILICONE. COLOUR : MATT CHARCOAL
FITTINGS	BLACK NYLON HANDLES FOR ALUMINIUM WINDOWS. SAMPLE TO BE SHOWN TO THE ARCHITECT FOR APPROVAL.
GLAZING:	6MM CLEAR GLAZING TO COMPLY WITH SABS 0137 &
HINGES	GMS EASY CLEAN FRICTION STAYS TO SUITE TOP HUNG WINDOWS.
OTHERS :	W1 WINDOWS TO MAIN BUILDING ONLY - OPAQUE VINYL APPLIED TO BOTTOM SECTION

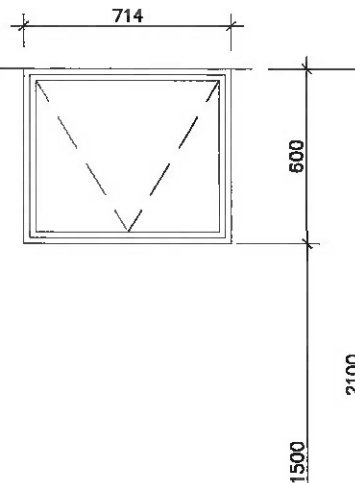
GENERAL NOTES:

ALL DIMENSIONS ARE TO BE CHECKED ON SITE BY THE CONTRACTOR PRIOR TO CONSTRUCTION.  
 ANY DISCREPANCIES ON THIS DRAWING ARE TO BE REPORTED TO THE OFFICE OF THE ARCHITECT PRIOR TO CONSTRUCTION.  
 ALL ALUMINIUM AND STEEL IS TO BE ISOLATED FROM ONE ANOTHER TO PREVENT GALVANIC ACTION.  
 ALL QUANTITIES ARE TO BE CHECKED ON SITE BY THE CONTRACTOR PRIOR TO PLACING ORDERS.  
 ALL SHOP FRONT ARE TO BE AAAMSA APPROVED AND TO MANUFACTURERS SPECIFICATIONS

**SAKHISIZWE**  
 ARCHITECTS  
 + INTERIORS  
 41 SWAPO ROAD (BROADWAY)  
 DURBAN NORTH 4051  
 PRIVATE BAG X12 GATEWAY 4321  
 TEL : 031 563 3424 FAX: 031 563 3518  
 EMAIL: info@sakhisizwearchitects.co.za



WINDOW LEVEL



TOP OF CONCRETE




ACTUAL WINDOW DIMENSIONS TO SUIT FACEBRICK COURSING  
OPENINGS TO BE MEASURED ON SITE PRIOR TO MANUFACTURE

LOCATION	LOCATION
• MODULE 5	• CRISIS CENTER
• MODULE 7	• MATERNITY
• MODULE 8	• WOMEN CHILD CARE
• MODULE 11	• CASUALTY
• MODULE 15	• ADMINISTRATION
• MODULE 16	• SHORTSTAY
• MODULE 19	• RADIOLOGY
• MODULE 21	• DENTIST& REHABILITATION
• MODULE 23	• PHARMACY
• SKILLS & NUTRITION	• COUNSELING
	• PUBLIC TOILET
	• STAFF TOILET

FRAME :	EPOXY POWDER COATED ALUMINIUM WINDOW WITH ONE TOP HUNG OPENING SECTION PERIMETER OF WINDOW TO BE SEALED WITH SILICONE. COLOUR : MATT CHARCOAL
FITTINGS	BLACK NYLON HANDLES FOR ALUMINIUM WINDOWS. SAMPLE TO BE SHOWN TO THE ARCHITECT FOR APPROVAL.
GLAZING:	6MM CLEAR GLAZING TO COMPLY WITH SABS 0137
HINGES	GMS EASY CLEAN FRICTION STAYS TO SUITE TOP HUNG WINDOWS.
OTHERS :	TO FUTURE DETAIL

**GENERAL NOTES:**  
 ALL DIMENSIONS ARE TO BE CHECKED ON SITE BY THE CONTRACTOR PRIOR TO CONSTRUCTION.  
 ANY DISCREPANCIES ON THIS DRAWING ARE TO BE REPORTED TO THE OFFICE OF THE ARCHITECT PRIOR TO CONSTRUCTION.  
 ALL ALUMINIUM AND STEEL IS TO BE ISOLATED FROM ONE ANOTHER TO PREVENT GALVANIC ACTION.  
 ALL QUANTITIES ARE TO BE CHECKED ON SITE BY THE CONTRACTOR PRIOR TO PLACING ORDERS.  
 ALL SHOP FRONT ARE TO BE AAAMSA APPROVED AND TO MANUFACTURERS SPECIFICATIONS



**SAKHISIZWE**  
 ARCHITECTS  
 + INTERIORS  
 41 SWAPO ROAD (BROADWAY)  
 DURBAN NORTH 4051  
 PRIVATE BAG X12 GATEWAY 4321  
 TEL : 031 563 3424 FAX: 031 563 3518  
 EMAIL: info@sakhisizwearchitects.co.za

# NEW JOZINI HEALTH CLINIC

## DOOR & IRONMONGERY SCHEDULE

S264/400-M11 - REV 0

27.06.2014

*THIS SCHEDULE IS FOR  
MODULE 11 ONLY*

### Department of Health Notes

ALL DOORS TO BEAR THE SABS MARKING

ALL MASONITE VENEERS TO BE 3mm TEMPERED HARDBOARD

VERTICAL & HORIZONTAL STILES TO BE 100mm FOR FIXING OF LOCKS AND HINGES

CORE CHIP TO RUN VERTICALLY

REFER TO TYPICAL PHOTOGRAPH SUPPLIED

ISSUED FOR CONSTRUCTION

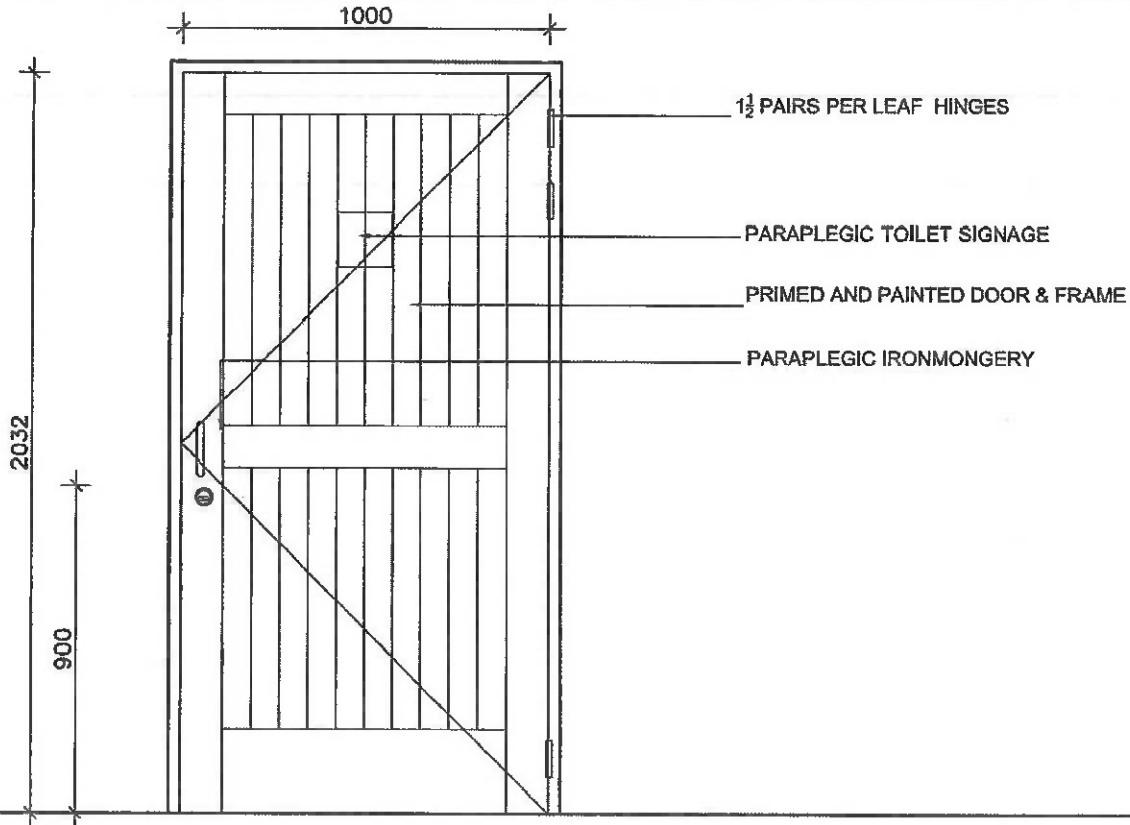


41 SWAPO ROAD (BROADWAY)  
DURBAN NORTH 4051  
PRIVATE BAG X12 GATEWAY 4321  
TEL: 031 563 3424 FAX: 031 593 3510  
EMAIL: info@sakhisizwearchitects.co.za

**DOOR SCHEDULE**

**DOOR TYPE : D7-1**

FOR EXTERNAL USE



FFL

DESCRIPTION :	2032x1000x44mm HARDWOOD BATTEN AND BRACED DOOR PRIMED AND PAINTED IN STRICT ACCORDANCE WITH THE MANUFACTURES SPECIFICATIONS. COLOUR: REFER TO FINISHES SCHEDULES.
FRAME :	STAINLESS STEEL PRESSED METAL FRAME TO SUIT WALL THICKNESS. FRAME PROFILE TO BE PER DETAIL 'D'
HINGES :	1½ PAIRS STAINLESS STEEL HINGES PER LEAF
GLAZING:	N/A
IRONMONGERY :	150mm BACK TO BACK PULL HANDLES TO BOTH SIDES OF DOOR PARAPLEGIC PRIVACY LOCK (REFER DORMA SCHEDULES)
SIGNAGE :	TO FUTURE DETAIL

**GENERAL NOTES:**

DOOR SWINGS AND POSITIONS TO BE CALCULATED FROM THE DOOR REFERENCE PLANS.  
 ALL DIMENSIONS ARE TO BE CHECKED ON SITE BY THE CONTRACTOR PRIOR TO CONSTRUCTION.  
 ANY DISCREPANCIES ON THIS DRAWING ARE TO BE REPORTED TO THE OFFICE OF THE ARCHITECT PRIOR TO CONSTRUCTION.  
 ALL ALUMINIUM AND STEEL IS TO BE ISOLATED FROM ONE ANOTHER TO PREVENT GALVANIC ACTION.  
 ALL QUANTITIES ARE TO BE CHECKED ON SITE BY THE CONTRACTOR PRIOR TO PLACING ORDERS.  
 ALL UNDERCUTTING OF DOORS IS TO BE CALCULATED FROM MECHANICAL DETAILED CONSTRUCTION DRAWINGS.  
 ALL SHOP FRONT DOORS ARE TO BE AAAMSA APPROVED.

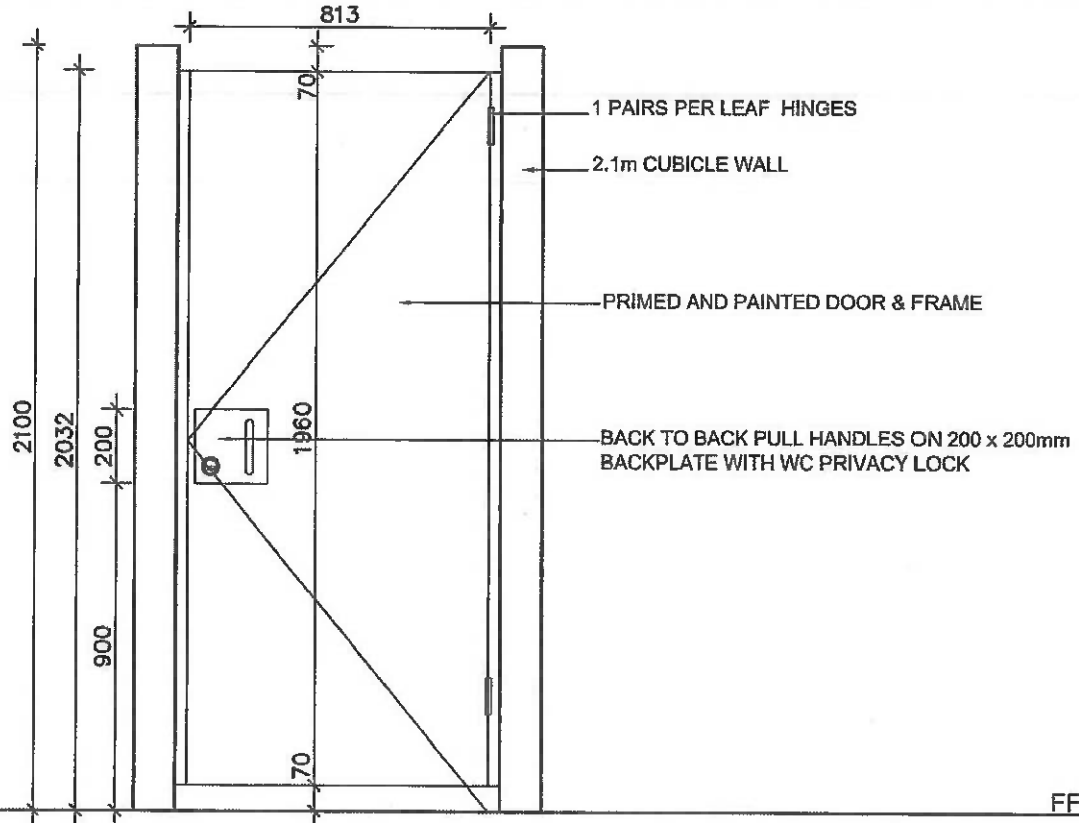


**SAKHISIZWE**  
ARCHITECTS

+ I N T E R I O R S  
 41 SWAPO ROAD (BROADWAY)  
 DURBAN NORTH-4051  
 PRIVATE BAG X12 GATEWAY 4321  
 TEL : 031 563 3424 FAX: 031 563 3518  
 EMAIL: info@sakhisizwearchitects.co.za

**DOOR SCHEDULE**

**DOOR TYPE : D15-1**



FFL

DESCRIPTION :	1960x813x40mm SOLIDCORE TIMBER SINGLE DOOR. PRIMED AND PAINTED WITH 2 COATS PLASCON VELVALGO APPLIED IN STRICT ACCORDANCE WITH THE MANUFACTURES SPECIFICATIONS OR EQUAL APPROVED COLOUR: REFER TO FINISHES SCHEDULES.
FRAME :	STAINLESS STEEL PRESSED METAL FRAME TO SUIT WALL THICKNESS. FRAME PROFILE TO BE PER DETAIL "D"
HINGES :	1½ PAIRS STAINLESS STEEL HINGES PER LEAF
GLAZING:	N/A
IRONMONGERY :	150mm BACK TO BACK PULLHANDLES ON 200 x 400 BACKPLATES TO BOTH SIDES OF DOOR WC PRIVACY LOCK (REFER DORMA SCHEDULES)
SIGNAGE :	TO FUTURE DETAIL

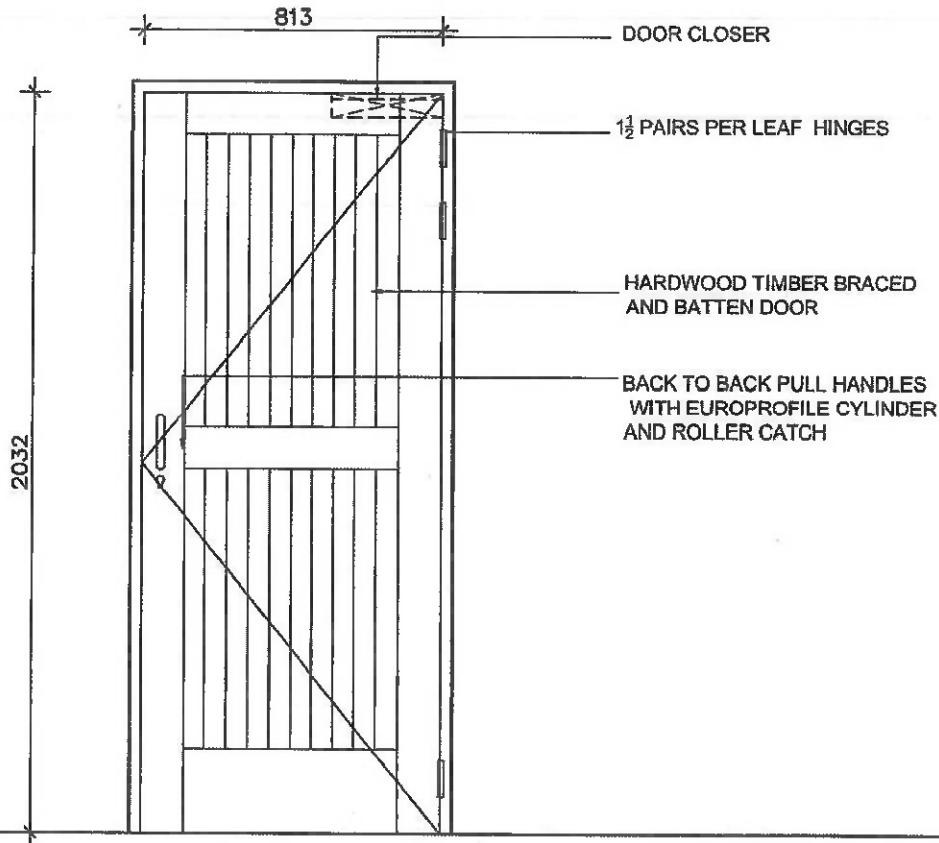
**GENERAL NOTES:**  
 DOOR SWINGS AND POSITIONS TO BE CALCULATED FROM THE DOOR REFERENCE PLANS.  
 ALL DIMENSIONS ARE TO BE CHECKED ON SITE BY THE CONTRACTOR PRIOR TO CONSTRUCTION.  
 ANY DISCREPANCIES ON THIS DRAWING ARE TO BE REPORTED TO THE OFFICE OF THE ARCHITECT PRIOR TO CONSTRUCTION.  
 ALL ALUMINIUM AND STEEL IS TO BE ISOLATED FROM ONE ANOTHER TO PREVENT GALVANIC ACTION.  
 ALL QUANTITIES ARE TO BE CHECKED ON SITE BY THE CONTRACTOR PRIOR TO PLACING ORDERS.  
 ALL UNDERCUTTING OF DOORS IS TO BE CALCULATED FROM MECHANICAL DETAILED CONSTRUCTION DRAWINGS.  
 ALL SHOP FRONT DOORS ARE TO BE AAAMSA APPROVED.

**SAKHISIZWE**  
 ARCHITECTS  
 INTERIORS  
 41 SWAPO ROAD (BROADWAY)  
 DURBAN NORTH 4051  
 PRIVATE BAG X12 GATEWAY 4321  
 TEL : 031 563 3424 FAX: 031 563 3518  
 EMAIL: info@sakhisizweinteriors.co.za

**DOOR SCHEDULE**

**DOOR TYPE : D29-1**

FOR EXTERNAL USE



FFL

DESCRIPTION :	2032x813x44mm STANDARD HARDWOOD FRAMED BATTEN AND BRACED DOOR PRIMED AND PAINTED IN STRICT ACCORDANCE WITH THE MANUFACTURES SPECIFICATIONS. COLOUR: REFER TO FINISHES SCHEDULES.
FRAME :	STAINLESS STEEL PRESSED METAL FRAME TO SUIT WALL THICKNESS. FRAME PROFILE TO BE PER DETAIL "D"
HINGES :	1 1/2 PAIRS STAINLESS STEEL HINGES PER LEAF
GLAZING:	N/A
IRONMONGERY :	150mm BACK TO BACK PULL HANDLES ON TO BOTH SIDES OF DOOR EUROPROFILE DOUBLE CYLINDER LOCK WITH ROLLER CATCH (REFER DORMA SCHEDULES)
SIGNAGE :	TO FUTURE DETAIL

**GENERAL NOTES:**  
 DOOR SWINGS AND POSITIONS TO BE CALCULATED FROM THE DOOR REFERENCE PLANS.  
 ALL DIMENSIONS ARE TO BE CHECKED ON SITE BY THE CONTRACTOR PRIOR TO CONSTRUCTION.  
 ANY DISCREPANCIES ON THIS DRAWING ARE TO BE REPORTED TO THE OFFICE OF THE ARCHITECT PRIOR TO CONSTRUCTION.  
 ALL ALUMINIUM AND STEEL IS TO BE ISOLATED FROM ONE ANOTHER TO PREVENT GALVANIC ACTION.  
 ALL QUANTITIES ARE TO BE CHECKED ON SITE BY THE CONTRACTOR PRIOR TO PLACING ORDERS.  
 ALL UNDERCUTTING OF DOORS IS TO BE CALCULATED FROM MECHANICAL DETAILED CONSTRUCTION DRAWINGS.  
 ALL SHOP FRONT DOORS ARE TO BE AAAMSA APPROVED.

**SAKHISIZWE**  
 ARCHITECTS  
 + I N T E R I O R S  
 41 SWAPO ROAD (BROADWAY)  
 DURBAN NORTH 4051  
 PRIVATE BAG X12 GATEWAY 4321  
 TEL : 031 563 3424 FAX: 031 563 3518  
 EMAIL: info@sakhisizwearchitects.co.za

Proposed  
**IRONMONGERY TYPE - CONTROL LIST**



**Project** Jozini Community Health Centre \_ Module 11 (Guard House / Security) \_ Timber Doors  
**Architects** Megan Bott  
 Sakhisizwe Architects  
**Specified by** Ursula Jansen

**Date** 24-01-2013  
**Revision** 2

Location	Area Ref.	Door No.	Handing	Door / Frame type	Iron-mongery type	Notes	MK Ref
Male Toilet	Module 11	M11.01	LH	D29 1	1101		
WC	Module 11	M11.02	RH	D15 1	1102		
WC	Module 11	M11.03	RH	D15 1	1102		
WC	Module 11	M11.04	LH	D15 1	1102		
WC	Module 11	M11.05	LH	D15 1	1102		
Female Toilet	Module 11	M11.06	RH	D29 1	1103		
Paraplegic	Module 11	M11.07	LH	D7 1	1104		
Guard House	Module 11	M11.08	LH	D29_1	1105		

**Proposed**  
**IRONMONGERY TYPES**



**Project** Jozini Community Health Centre \_ Module 11 (Guard House / Security) \_ Timber Doors

**Date** 24-01-2013

**Architects** Megan Bott  
Sakhisizwe Architects

**Revision** 2

**Specified by** Ursula Jansen

Ironmongery types	Doors	Items
1101	M11.01	<ul style="list-style-type: none"> <li>• 1.5 pair - DORMA DBB-SS-009 102x75x3mm stainless steel two ball bearing butt hinge</li> <li>• 1.0 each - DORMA TS93B/EN2-5 slide channel door closer/ pull side fitting - non hold open</li> <li>• 1.0 pair - DORMA DPH301C 150x19mm stainless steel "D" shaped straight back-to-back pull handles</li> <li>• 1.0 each - DORMA D037D euro-profile cylinder dead lock SS</li> <li>• 1.0 each - Dorma DDC056501 nickel plated 65mm five pin euro-profile double cylinder</li> <li>• 2.0 each - DORMA DCE-002 stainless steel euro profile escutcheon</li> <li>• 1.0 only - 38mm black rubber door stop</li> <li>• 1.0 each - Dorma DSS-130 stainless steel 150x150mm MALE sign</li> </ul>
1102	M11.02, M11.03, M11.04, M11.05	<ul style="list-style-type: none"> <li>• 1.0 pair - DORMA DBB-SS-009 102x75x3mm stainless steel two ball bearing butt hinge</li> <li>• 1.0 pair - DORMA DPH301C 150x19mm stainless steel "D" shaped straight back-to-back pull handles</li> <li>• 2.0 only - 200mm x 200mm x 1.2mm grade 304 stainless steel push plate with hole to take DWC_006; 4 holes pre_drilled for countersunk fixings</li> <li>• 1.0 pair - DORMA DWC-006 stainless steel WC indicator with 79mm turn knob for physically impaired.</li> <li>• 1.0 each - DORMA DMWC-SS-008 Bathroom/WC dead lock (small case).</li> <li>• 1.0 only - Erebus heavy duty adjustable roller bolt.</li> <li>• 1.0 each - DORMA DDS-SS-020 stainless steel wall buffer</li> </ul>
1103	M11.06	<ul style="list-style-type: none"> <li>• 1.5 pair - DORMA DBB-SS-009 102x75x3mm stainless steel two ball bearing butt hinge</li> <li>• 1.0 each - DORMA TS93B/EN2-5 slide channel door closer/ pull side fitting - non hold open</li> <li>• 1.0 pair - DORMA DPH301C 150x19mm stainless steel "D" shaped straight back-to-back pull handles</li> <li>• 1.0 each - DORMA D037D euro-profile cylinder dead lock SS</li> <li>• 1.0 each - Dorma DDC056501 nickel plated 65mm five pin euro-profile double cylinder</li> <li>• 2.0 each - DORMA DCE-002 stainless steel euro profile escutcheon</li> <li>• 1.0 only - 38mm black rubber door stop</li> <li>• 1.0 each - Dorma DSS-131 stainless steel 150x150mm FEMALE sign</li> </ul>
1104	M11.07	<ul style="list-style-type: none"> <li>• 1.0 pair - DORMA DRL-SS-013 102x75x3mm Stainless steel rising butt hnge - Left hand</li> <li>• 2.0 each - DORMA DPH301B 300x25mm stainless steel pull handle with flange fixing</li> <li>• 1.0 off - Union 37651 helping hand indicator bolt for paraplegic wc</li> <li>• 2.0 only - Erebus heavy duty adjustable roller bolt.</li> <li>• 1.0 each - DORMA D037D euro-profile cylinder dead lock SS</li> <li>• 1.0 each - Dorma DSC054201 nickel plated 43mm five pin euro-profile single cylinder</li> <li>• 1.0 each - DORMA DCE-002 stainless steel euro profile escutcheon</li> <li>• 1.0 each - Dorma DSS-133 stainless steel 150x150mm DISABLED PERSONS sign</li> </ul>

**Proposed  
IRONMONGERY TYPES**



**Project** Jozini Community Health Centre \_ Module 11 (Guard House / Security) \_ Timber Doors

**Date** 24-01-2013

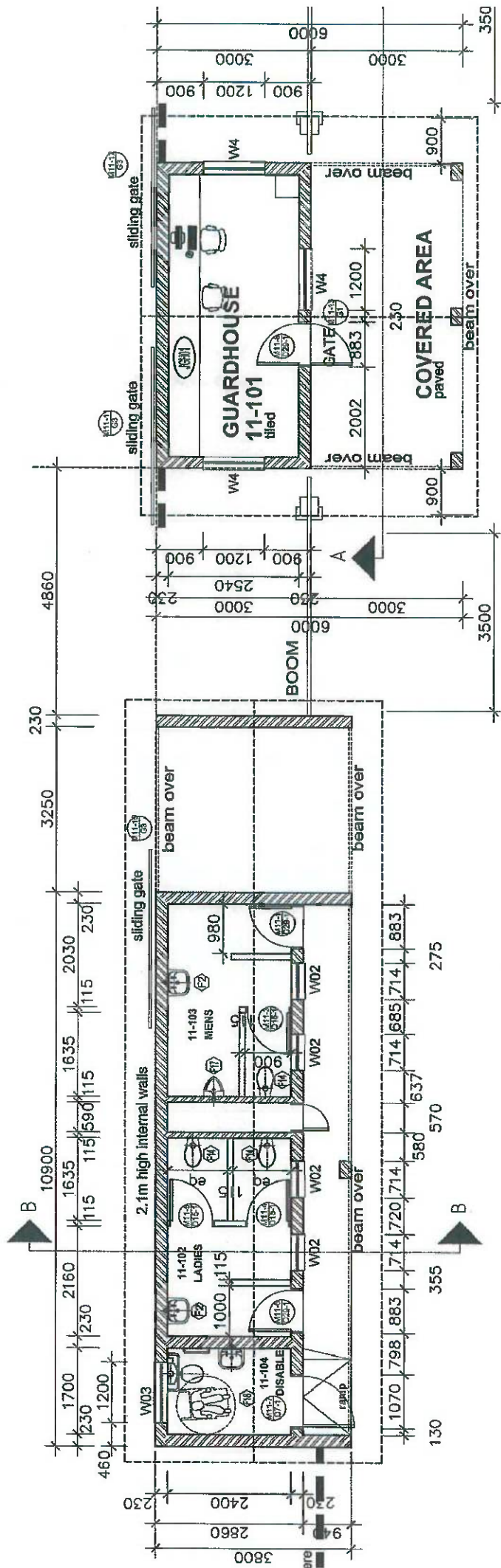
**Architects** Megan Bott  
Sakhisizwe Architects

**Revision** 2

**Specified by** Ursula Jansen

Ironmongery types	Doors	Items
1105	M11.08	<ul style="list-style-type: none"> <li>• 1.5 pair - DORMA DBB-SS-009 102x75x3mm stainless steel two ball bearing butt hinge</li> <li>• 1.0 pair - DORMA DPH301C 150x19mm stainless steel "D" shaped straight back-to-back pull handles</li> <li>• 1.0 each - DORMA D037D euro-profile cylinder dead lock SS</li> <li>• 1.0 each - Dorma DDC056501 nickel plated 65mm five pin euro-profile double cylinder</li> <li>• 2.0 each - DORMA DCE-002 stainless steel euro profile escutcheon</li> <li>• 1.0 only - Erebus heavy duty adjustable roller bolt.</li> <li>• 1.0 only - 38mm black rubber door stop</li> </ul>





Jozini CMC Guardhouse & Ablutions

# NEW JOZINI HEALTH CLINIC

## DOOR & IRONMONGERY SCHEDULE

S264/400-M20 - REV 0

27.06.2014

*THIS SCHEDULE IS FOR  
MODULE 20 ONLY*

### Department of Health Notes

ALL DOORS TO BEAR THE SABS MARKING


ALL MASONITE VENEERS TO BE 3mm TEMPERED HARDBOARD

VERTICAL & HORIZONTAL STILES TO BE 100mm FOR FIXING OF LOCKS AND HINGES

CORE CHIP TO RUN VERTICALLY

REFER TO TYPICAL PHOTOGRAPH SUPPLIED

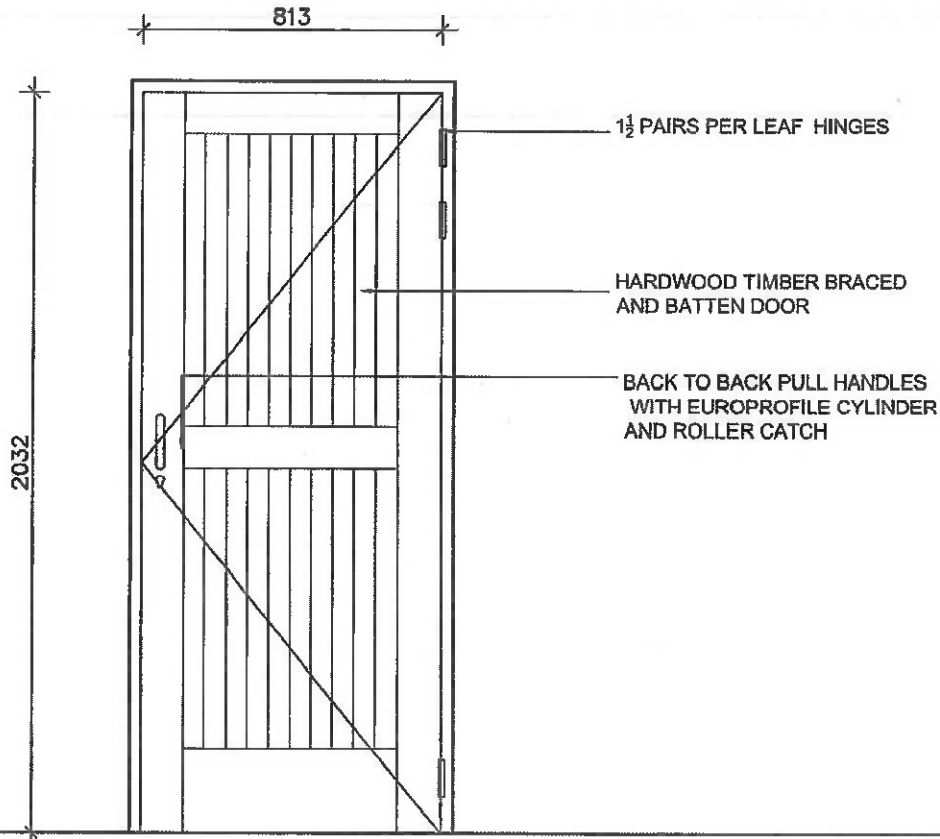
ISSUED FOR CONSTRUCTION

	<b>SAKHISIZWE</b>
	ARCHITECTS
+ I N T E R I O R S	
41 SWAPO ROAD (BROADWAY) DURBAN NORTH 4051	
PRIVATE BAG X12 GATEWAY 4321	
TEL: 031 963 3424 FAX: 031 963 3518	
EMAIL: info@sakhisizwearchitects.co.za	

**DOOR SCHEDULE**

**DOOR TYPE : D29**

FOR EXTERNAL USE

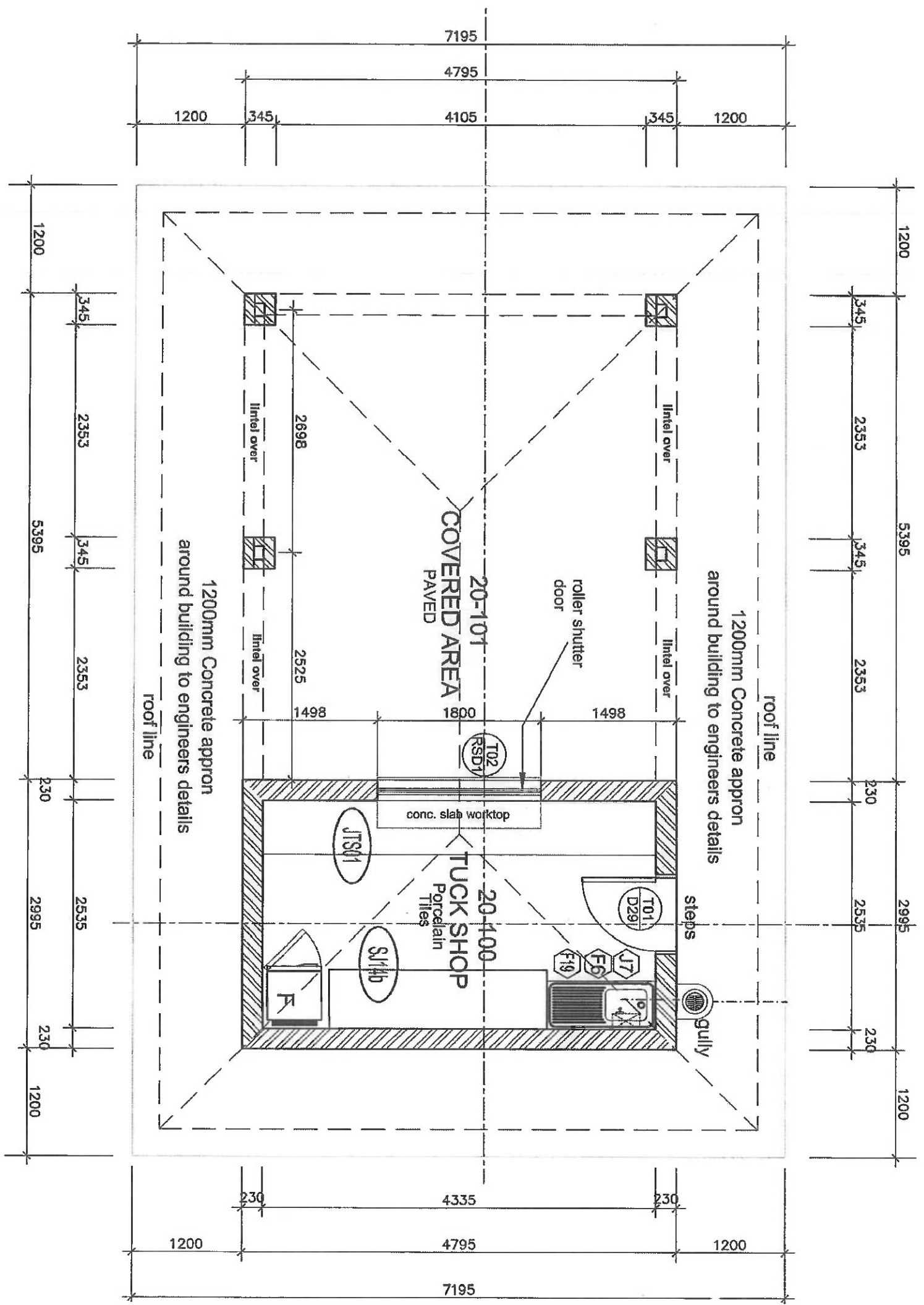


DESCRIPTION :	2032x813x44mm STANDARD HARDWOOD FRAMED BATTEN AND BRACED DOOR PRIMED AND PAINTED IN STRICT ACCORDANCE WITH THE MANUFACTURES SPECIFICATIONS. COLOUR: REFER TO FINISHES SCHEDULES.
FRAME :	STAINLESS STEEL PRESSED METAL FRAME TO SUIT WALL THICKNESS. FRAME PROFILE TO BE PER DETAIL "D"
HINGES :	1½ PAIRS STAINLESS STEEL HINGES PER LEAF
GLAZING:	N/A
IRONMONGERY :	REFER DORMA SCHEDULES ATTACHED
SIGNAGE :	TO FUTURE DETAIL

**GENERAL NOTES:**  
 DOOR SWINGS AND POSITIONS TO BE CALCULATED FROM THE DOOR REFERENCE PLANS.  
 ALL DIMENSIONS ARE TO BE CHECKED ON SITE BY THE CONTRACTOR PRIOR TO CONSTRUCTION.  
 ANY DISCREPANCIES ON THIS DRAWING ARE TO BE REPORTED TO THE OFFICE OF THE ARCHITECT PRIOR TO CONSTRUCTION.  
 ALL ALUMINIUM AND STEEL IS TO BE ISOLATED FROM ONE ANOTHER TO PREVENT GALVANIC ACTION.  
 ALL QUANTITIES ARE TO BE CHECKED ON SITE BY THE CONTRACTOR PRIOR TO PLACING ORDERS.  
 ALL UNDERCUTTING OF DOORS IS TO BE CALCULATED FROM MECHANICAL DETAILED CONSTRUCTION DRAWINGS.  
 ALL SHOP FRONT DOORS ARE TO BE AAAMSA APPROVED.

**SAKHISIZWE**  
 ARCHITECTS  
 + I N T E R I O R S

41 SWAPO ROAD (BROADWAY)  
 DURBAN NORTH 4081  
 PRIVATE BAG X12 GATEWAY 4321  
 TEL : 031 963 3424 FAX: 031 963 3510  
 EMAIL: info@sakhisizwearchitects.co.za



**Proposed**  
**IRONMONGERY TYPE - CONTROL LIST**



**Project** Jozini Community Health Centre \_ Module 20 / Tuck Shop \_  
 Timber Doors  
**Architects** Megan Bott  
 Sakhisizwe Architects  
**Specified by** Ursula Jansen

**Date** 24-01-2013  
**Revision** 2

Location	Area Ref.	Door No.	Handing	Door / Frame type	Iron-mongery type	Notes	MK Ref
Entrance	Module 20	T01	LH	D29	T01		

**Proposed  
IRONMONGERY TYPES**



**Project** Jozini Community Health Centre \_ Module 20 / Tuck Shop \_  
Timber Doors

**Date** 24-01-2013

**Architects** Megan Bott  
Sakhisizwe Architects

**Revision** 2

**Specified by** Ursula Jansen

Ironmongery types	Doors	Items
T01	T01	<ul style="list-style-type: none"> <li>• 1.5 pair - DORMA DBB-SS-009 102x75x3mm stainless steel two ball bearing butt hinge</li> <li>• 1.0 pair - DORMA DPH301C 150x19mm stainless steel "D" shaped straight back-to-back pull handles</li> <li>• 1.0 each - DORMA D037D euro-profile cylinder dead lock SS</li> <li>• 1.0 each - Dorma DDC056501 nickel plated 65mm five pin euro-profile double cylinder</li> <li>• 2.0 each - DORMA DCE-002 stainless steel euro profile escutcheon</li> <li>• 1.0 only - Erebus heavy duty adjustable roller bolt.</li> <li>• 1.0 only - 38mm black rubber door stop</li> </ul>

# NEW JOZINI HEALTH CLINIC

## DOOR & IRONMONGERY SCHEDULE

S264/400-M21 - REV 0

29.11.2013

*THIS SCHEDULE IS FOR  
MODULE 21s ONLY*

### Department of Health Notes

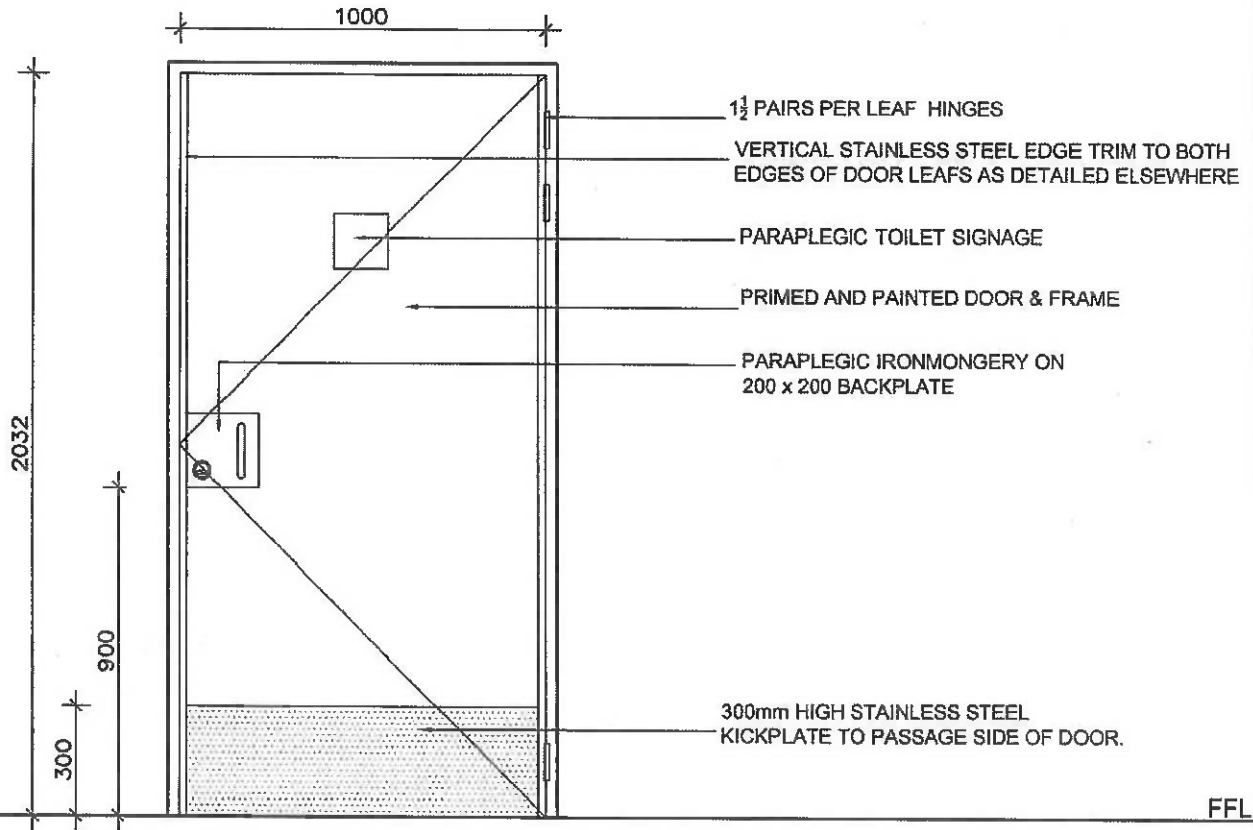
ALL DOORS TO BEAR THE SABS MARKING  
ALL MASONITE VENEERS TO BE 3mm TEMPERED HARDBOARD  
VERTICAL & HORIZONTAL STILES TO BE 100mm FOR FIXING OF LOCKS AND HINGES  
CORE CHIP TO RUN VERTICALLY  
REFER TO TYPICAL PHOTOGRAPH SUPPLIED

ISSUED FOR CONSTRUCTION

	<b>SAKHISIZWE</b> ARCHITECTS
+ I N T E R I O R S	
41 SWAPO ROAD (BROADWAY) DURBAN NORTH 4051 PRIVATE BAG X12 GATEWAY 4321 TEL : 031 563 3424 FAX: 031 563 3518 EMAIL: info@sakhisizwearchitects.co.za	

**DOOR SCHEDULE**

**DOOR TYPE : D7**



DESCRIPTION :	2032x1000x40mm SOLIDCORE TIMBER SINGLE DOOR. PRIMED AND PAINTED WITH 2 COATS MARMORAN MARMOSILK APPLIED IN STRICT ACCORDANCE WITH THE MANUFACTURES SPECIFICATIONS OR EQUAL APPROVED COLOUR: REFER TO FINISHES SCHEDULES. VERTICAL EDGES DRESSED IN STAINLESS STEEL AS PER DETAIL 'A'. 300mm HIGH x 1.2mm THICK GRADE 304 STAINLESS STEEL KICK PLATE TO PASSAGE SIDE ONLY GLUED AND SCREWED WITH COUNTERSUNK STAINLESS STEEL SCREWS @ 150mm C/C AS SHOWN.
FRAME :	STAINLESS STEEL PRESSED METAL FRAME TO SUIT WALL THICKNESS. FRAME PROFILE TO BE PER DETAIL "D"
HINGES :	1 1/2 PAIRS STAINLESS STEEL HINGES PER LEAF
GLAZING:	N/A
IRONMONGERY :	REFER DORMA SCHEDULES ATTACHED
SIGNAGE :	TO FUTURE DETAIL

**GENERAL NOTES:**  
 DOOR SWINGS AND POSITIONS TO BE CALCULATED FROM THE DOOR REFERENCE PLANS.  
 ALL DIMENSIONS ARE TO BE CHECKED ON SITE BY THE CONTRACTOR PRIOR TO CONSTRUCTION.  
 ANY DISCREPANCIES ON THIS DRAWING ARE TO BE REPORTED TO THE OFFICE OF THE ARCHITECT PRIOR TO CONSTRUCTION.  
 ALL ALUMINIUM AND STEEL IS TO BE ISOLATED FROM ONE ANOTHER TO PREVENT GALVANIC ACTION.  
 ALL QUANTITIES ARE TO BE CHECKED ON SITE BY THE CONTRACTOR PRIOR TO PLACING ORDERS.  
 ALL UNDERCUTTING OF DOORS IS TO BE CALCULATED FROM MECHANICAL DETAILED CONSTRUCTION DRAWINGS.  
 ALL SHOP FRONT DOORS ARE TO BE AAAMSA APPROVED.

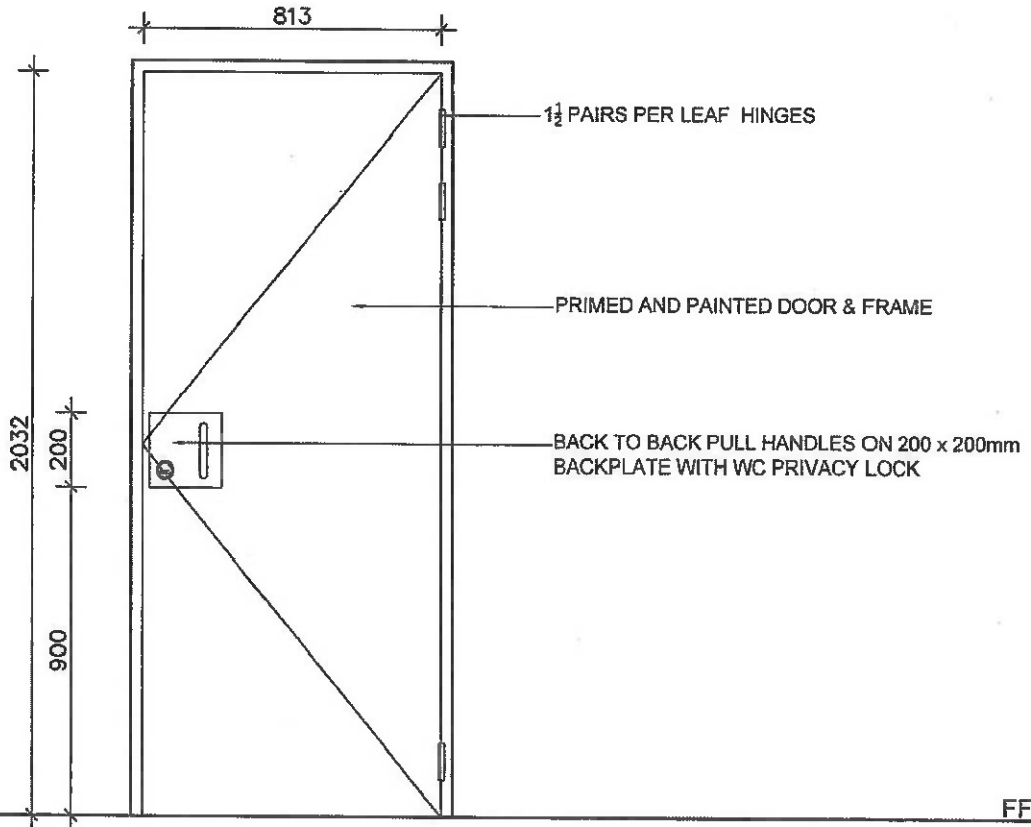
**SAKHISIZWE**  
 ARCHITECTS  
 INTERIORS

41 SWAPO ROAD (BROADWAY)  
 DURBAN NORTH 4051  
 PRIVATE BAG X12 GATEWAY 4321  
 TEL : 031 563 3424 FAX: 031 563 3518  
 EMAIL: info@sakhisizweinteriors.co.za



**DOOR SCHEDULE**

**DOOR TYPE : D15**



FFL

DESCRIPTION :	2032x813x40mm SOLIDCORE TIMBER SINGLE DOOR. PRIMED AND PAINTED WITH 2 COATS MARMORAN MARMOSILK APPLIED IN STRICT ACCORDANCE WITH THE MANUFACTURES SPECIFICATIONS OR EQUAL APPROVED COLOUR: REFER TO FINISHES SCHEDULES.
FRAME :	STAINLESS STEEL PRESSED METAL FRAME TO SUIT WALL THICKNESS. FRAME PROFILE TO BE PER DETAIL "D"
HINGES :	1 1/2 PAIRS STAINLESS STEEL HINGES PER LEAF
GLAZING:	N/A
IRONMONGERY :	REFER DORMA SCHEDULES ATTACHED
SIGNAGE :	TO FUTURE DETAIL

**GENERAL NOTES:**

DOOR SWINGS AND POSITIONS TO BE CALCULATED FROM THE DOOR REFERENCE PLANS.  
ALL DIMENSIONS ARE TO BE CHECKED ON SITE BY THE CONTRACTOR PRIOR TO CONSTRUCTION.  
ANY DISCREPANCIES ON THIS DRAWING ARE TO BE REPORTED TO THE OFFICE OF THE ARCHITECT PRIOR TO CONSTRUCTION.  
ALL ALUMINIUM AND STEEL IS TO BE ISOLATED FROM ONE ANOTHER TO PREVENT GALVANIC ACTION.  
ALL QUANTITIES ARE TO BE CHECKED ON SITE BY THE CONTRACTOR PRIOR TO PLACING ORDERS.  
ALL UNDERCUTTING OF DOORS IS TO BE CALCULATED FROM MECHANICAL DETAILED CONSTRUCTION DRAWINGS.  
ALL SHOP FRONT DOORS ARE TO BE AAAMSA APPROVED.



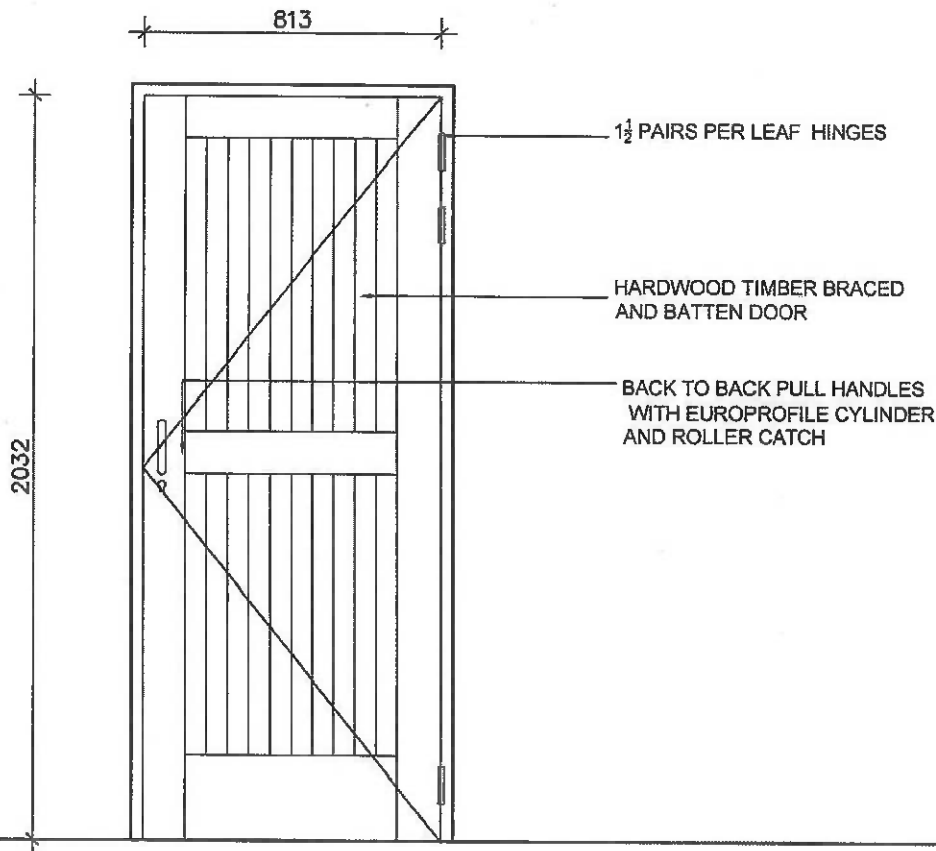
+ I N T E R I O R S

41 SHAFQ ROAD (BROADWAY)  
DURBAN NORTH 4051  
PRIVATE BAG 312 GATEWAY 4321  
TEL: 031 683 3424 FAX: 031 563 3516  
EMAIL: info@sakhisizwearchitects.co.za

**DOOR SCHEDULE**

**DOOR TYPE : D29**

FOR EXTERNAL USE



DESCRIPTION :	2032x813x44mm STANDARD HARDWOOD FRAMED BATTEN AND BRACED DOOR PRIMED AND PAINTED IN STRICT ACCORDANCE WITH THE MANUFACTURES SPECIFICATIONS. COLOUR: REFER TO FINISHES SCHEDULES.
FRAME :	STAINLESS STEEL PRESSED METAL FRAME TO SUIT WALL THICKNESS. FRAME PROFILE TO BE PER DETAIL "D"
HINGES :	1½ PAIRS STAINLESS STEEL HINGES PER LEAF
GLAZING:	N/A
IRONMONGERY :	REFER DORMA SCHEDULES ATTACHED
SIGNAGE :	TO FUTURE DETAIL

**GENERAL NOTES:**

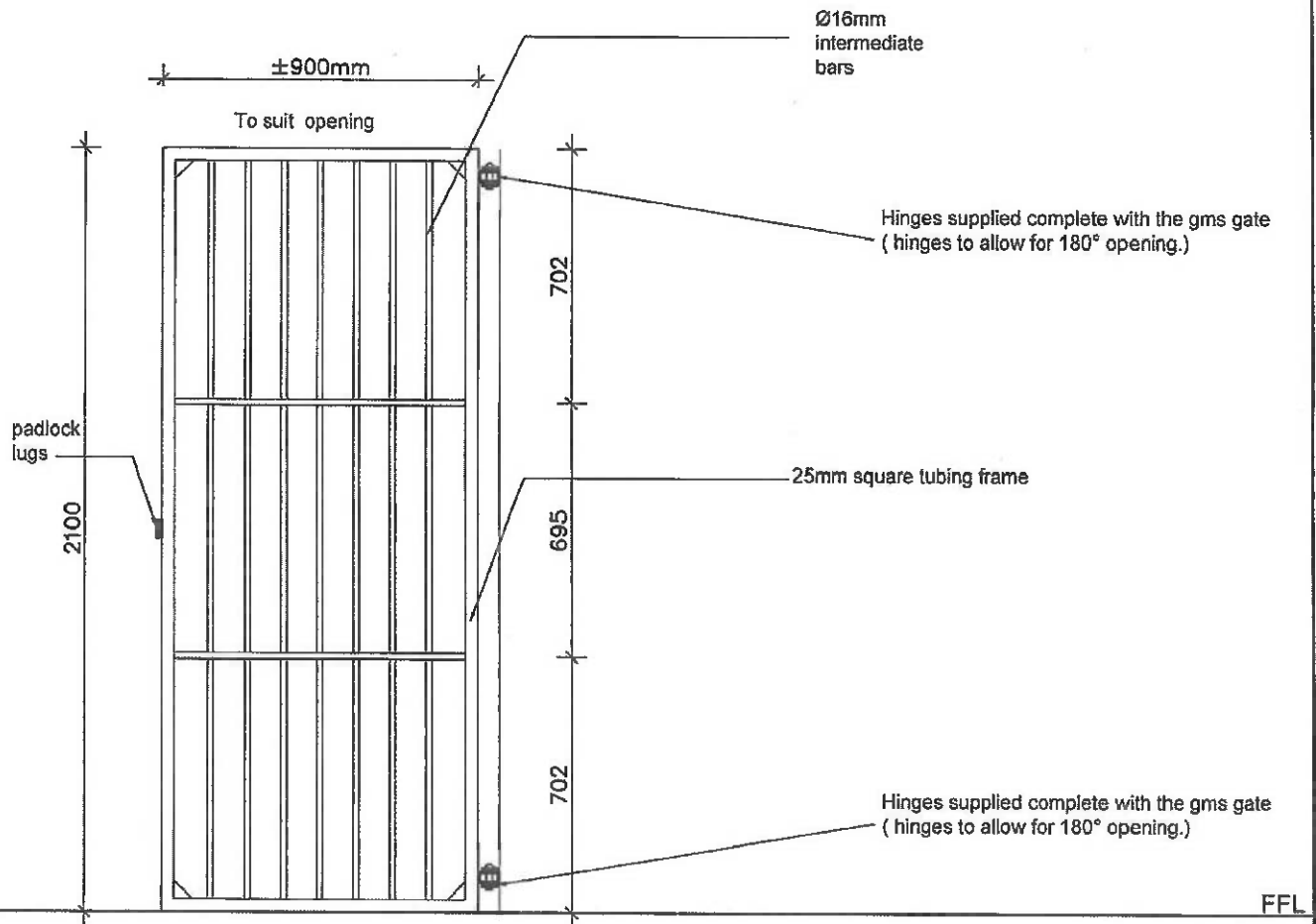
DOOR SWINGS AND POSITIONS TO BE CALCULATED FROM THE DOOR REFERENCE PLANS.  
ALL DIMENSIONS ARE TO BE CHECKED ON SITE BY THE CONTRACTOR PRIOR TO CONSTRUCTION.  
ANY DISCREPANCIES ON THIS DRAWING ARE TO BE REPORTED TO THE OFFICE OF THE ARCHITECT PRIOR TO CONSTRUCTION.  
ALL ALUMINIUM AND STEEL IS TO BE ISOLATED FROM ONE ANOTHER TO PREVENT GALVANIC ACTION.  
ALL QUANTITIES ARE TO BE CHECKED ON SITE BY THE CONTRACTOR PRIOR TO PLACING ORDERS.  
ALL UNDERCUTTING OF DOORS IS TO BE CALCULATED FROM MECHANICAL DETAILED CONSTRUCTION DRAWINGS.  
ALL SHOP FRONT DOORS ARE TO BE AAAMSA APPROVED.



41 SWAPO ROAD (BROADWAY)  
DURBAN NORTH 4051  
PRIVATE BAG 212 GATEWAY 4321  
TEL : 031 563 3424 FAX: 031 563 3518  
EMAIL: info@sakhisizweinteriors.co.za

**DOOR SCHEDULE**

**DOOR TYPE : G1**



DESCRIPTION :	HOT DIPPED GALVANISED MILD STEEL WELDED GATE, WITH 25mm SQUARE TUBE FRAME AND 16mm INTERMEDIATE BARS AT MIN 100mm CENTRES  OPENINGS TO BE CHECKED ON SITE  GATE IS UNPAINTED
FRAME :	N/A
HINGES :	AS SUPPLIED BY MANUFACTURER TO SUIT GATE
GLAZING:	N/A
IRONMONGERY :	HIGH SECURITY, HEAVY DUTY PADLOCK & KEYS
SIGNAGE :	TO FUTURE DETAIL

**GENERAL NOTES:**  
 DOOR SWINGS AND POSITIONS TO BE CALCULATED FROM THE DOOR REFERENCE PLANS.  
 ALL DIMENSIONS ARE TO BE CHECKED ON SITE BY THE CONTRACTOR PRIOR TO CONSTRUCTION.  
 ANY DISCREPANCIES ON THIS DRAWING ARE TO BE REPORTED TO THE OFFICE OF THE ARCHITECT PRIOR TO CONSTRUCTION.  
 ALL ALUMINIUM AND STEEL IS TO BE ISOLATED FROM ONE ANOTHER TO PREVENT GALVANIC ACTION.  
 ALL QUANTITIES ARE TO BE CHECKED ON SITE BY THE CONTRACTOR PRIOR TO PLACING ORDERS.  
 ALL UNDERCUTTING OF DOORS IS TO BE CALCULATED FROM MECHANICAL DETAILED CONSTRUCTION DRAWINGS.  
 ALL SHOP FRONT DOORS ARE TO BE AAAMSA APPROVED.

**SAKHISIZWE**  
 ARCHITECTS  
 + I N T E R I O R S

41 SWAPO ROAD (BROADWAY)  
 DURBAN NORTH 4091  
 PRIVATE BAG X12 GATEWAY 4321  
 TEL : 031 563 3424 FAX: 031 563 3518  
 EMAIL: info@sakhisizwe.co.za



**Proposed**  
**IRONMONGERY TYPES**

**Project** Jozini Community Health Centre \_ Module 21 (Staff Accommodation) \_ Timber Doors

**Date** 24-01-2013

**Architects** Megan Bott  
Sakhisizwe Architects

**Revision** 3

**Specified by** Ursula Jansen

Ironmongery types	Doors	Items
2101	M21.01, M21.04, M21.05, M21.07, M21.09, M21.12	<ul style="list-style-type: none"> <li>• 1.5 pair - DORMA DBB-SS-009 102x75x3mm stainless steel two ball bearing butt hinge</li> <li>• 1.0 pair - DORMA DPH301C 150x19mm stainless steel "D" shaped straight back-to-back pull handles</li> <li>• 1.0 each - DORMA D037D euro-profile cylinder dead lock SS</li> <li>• 1.0 each - Dorma DDC056501 nickel plated 65mm five pin euro-profile double cylinder</li> <li>• 2.0 each - DORMA DCE-002 stainless steel euro profile escutcheon</li> <li>• 1.0 only - Erebus heavy duty adjustable roller bolt.</li> <li>• 1.0 only - 38mm black rubber door stop</li> </ul>
2102	M21.02, M21.03, M21.06, M21.10, M21.11	<ul style="list-style-type: none"> <li>• 1.5 pair - DORMA DBB-SS-009 102x75x3mm stainless steel two ball bearing butt hinge</li> <li>• 1.0 pair - DORMA DPH301C 150x19mm stainless steel "D" shaped straight back-to-back pull handles</li> <li>• 2.0 only - 200mm x 200mm x 1.2mm grade 304 stainless steel push plate with hole to take DWC-006; 4 holes pre_drilled for countersunk fixings</li> <li>• 0.0 - DORMA DPH301 b_b handles to be fixed through both push plates to architect's detail</li> <li>• 1.0 pair - DORMA DWC-006 stainless steel WC indicator with 79mm turn knob for physically impaired.</li> <li>• 1.0 each - DORMA DMWC-SS-008 Bathroom/WC dead lock (small case).</li> <li>• 1.0 only - Erebus heavy duty adjustable roller bolt.</li> <li>• 1.0 only - 30mm black rubber door stop</li> </ul>
2103	M21.08 M21.06	<ul style="list-style-type: none"> <li>• 1.0 pair - DORMA DRR-SS-012 102x75x3mm Stainless steel rising butt hinge - Right hand</li> <li>• 2.0 each - DORMA DPH301B 300x25mm stainless steel pull handle with flange fixing</li> <li>• 1.0 off - Union 37651 helping hand indicator bolt for paraplegic wc</li> <li>• 1.0 only - Erebus heavy duty adjustable roller bolt.</li> </ul>

# NEW JOZINI HEALTH CLINIC

## DOOR & IRONMONGERY SCHEDULE

S264/400-M23 - REV 0

29.11.2013

*THIS SCHEDULE IS FOR  
MODULE 23s ONLY*

### Department of Health Notes

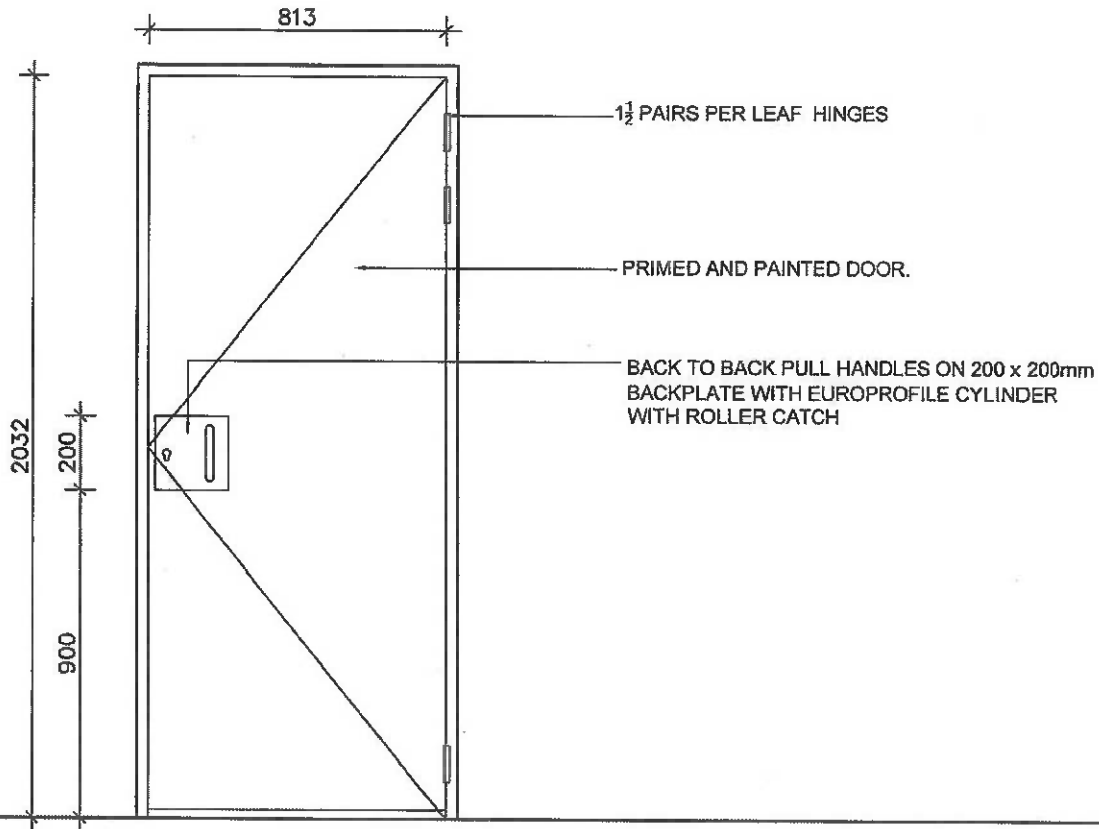
ALL DOORS TO BEAR THE SABS MARKING  
ALL MASONITE VENEERS TO BE 3mm TEMPERED HARDBOARD  
VERTICAL & HORIZONTAL STILES TO BE 100mm FOR FIXING OF LOCKS AND HINGES  
CORE CHIP TO RUN VERTICALLY  
REFER TO TYPICAL PHOTOGRAPH SUPPLIED

ISSUED FOR CONSTRUCTION

	<b>SAKHISIZWE</b> ARCHITECTS
+ I N T E R I O R S	
41 SWAPO ROAD (BROADWAY) DURBAN NORTH 4051 PRIVATE BAG X12 GATEWAY 4321 TEL : 031 563 3424 FAX: 031 563 3518 EMAIL: info@sakhisizwearchitects.co.za	

**DOOR SCHEDULE**

**DOOR TYPE : D5**



DESCRIPTION :	2032x813x40mm SOLIDCORE TIMBER SINGLE DOOR. PRIMED AND PAINTED WITH 2 COATS MARMORAN MARMOSILK APPLIED IN STRICT ACCORDANCE WITH THE MANUFACTURES SPECIFICATIONS OR EQUAL APPROVED COLOUR: REFER TO FINISHES SCHEDULES.
FRAME :	STAINLESS STEEL PRESSED METAL FRAME TO SUIT WALL THICKNESS. FRAME PROFILE TO BE PER DETAIL "D"
HINGES :	1½ PAIRS STAINLESS STEEL HINGES PER LEAF
GLAZING:	N/A
IRONMONGERY :	REFER DORMA SCHEDULES ATTACHED
SIGNAGE :	TO FUTURE DETAIL

**GENERAL NOTES:**

DOOR SWINGS AND POSITIONS TO BE CALCULATED FROM THE DOOR REFERENCE PLANS.  
 ALL DIMENSIONS ARE TO BE CHECKED ON SITE BY THE CONTRACTOR PRIOR TO CONSTRUCTION.  
 ANY DISCREPANCIES ON THIS DRAWING ARE TO BE REPORTED TO THE OFFICE OF THE ARCHITECT PRIOR TO CONSTRUCTION.  
 ALL ALUMINIUM AND STEEL IS TO BE ISOLATED FROM ONE ANOTHER TO PREVENT GALVANIC ACTION.  
 ALL QUANTITIES ARE TO BE CHECKED ON SITE BY THE CONTRACTOR PRIOR TO PLACING ORDERS.  
 ALL UNDERCUTTING OF DOORS IS TO BE CALCULATED FROM MECHANICAL DETAILED CONSTRUCTION DRAWINGS.  
 ALL SHOP FRONT DOORS ARE TO BE AAAMSA APPROVED.

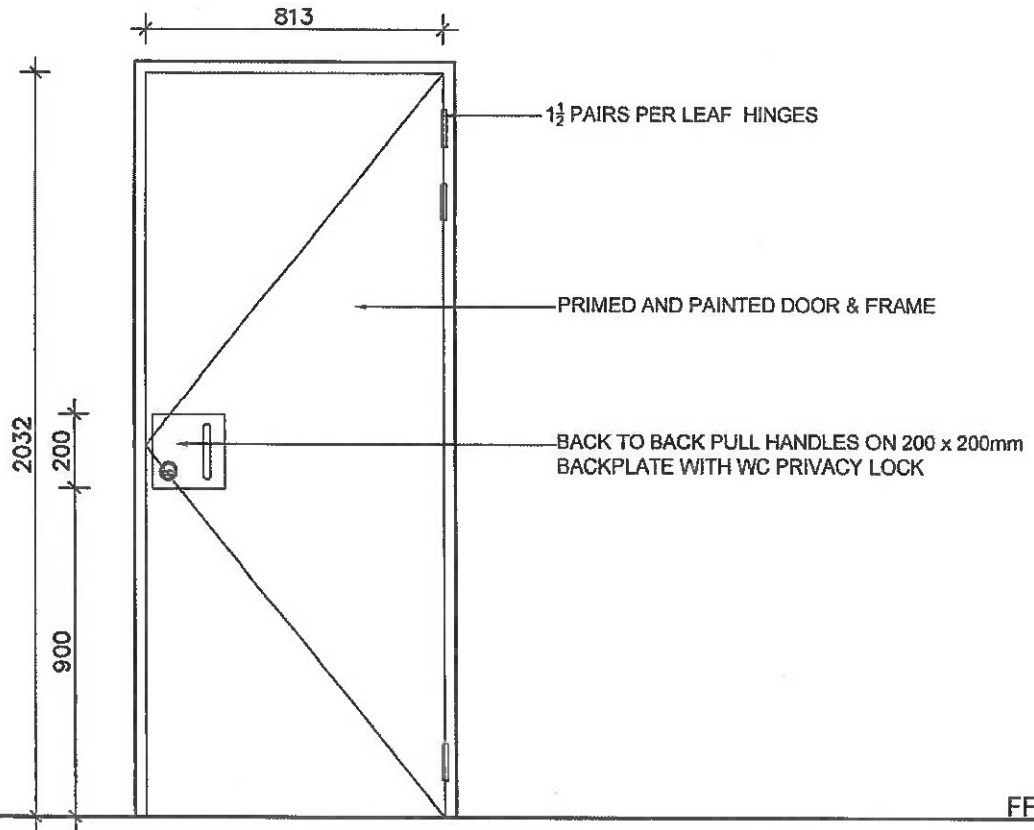


+ I N T E R I O R S

41 SWAPO ROAD (BROADWAY)  
 DURBAN NORTH 4051  
 PRIVATE BAG X12 GATEWAY 4321  
 TEL : 031 563 3424 FAX: 031 563 3518  
 EMAIL: info@sakhisizwe.co.za

**DOOR SCHEDULE**

**DOOR TYPE : D15**



DESCRIPTION :	2032x813x40mm SOLIDCORE TIMBER SINGLE DOOR. PRIMED AND PAINTED WITH 2 COATS MARMORAN MARMOSILK APPLIED IN STRICT ACCORDANCE WITH THE MANUFACTURES SPECIFICATIONS OR EQUAL APPROVED COLOUR: REFER TO FINISHES SCHEDULES.
FRAME :	STAINLESS STEEL PRESSED METAL FRAME TO SUIT WALL THICKNESS. FRAME PROFILE TO BE PER DETAIL 'D'
HINGES :	1½ PAIRS STAINLESS STEEL HINGES PER LEAF
GLAZING:	N/A
IRONMONGERY :	REFER DORMA SCHEDULES ATTACHED
SIGNAGE :	TO FUTURE DETAIL

**GENERAL NOTES:**  
 DOOR SWINGS AND POSITIONS TO BE CALCULATED FROM THE DOOR REFERENCE PLANS.  
 ALL DIMENSIONS ARE TO BE CHECKED ON SITE BY THE CONTRACTOR PRIOR TO CONSTRUCTION.  
 ANY DISCREPANCIES ON THIS DRAWING ARE TO BE REPORTED TO THE OFFICE OF THE ARCHITECT PRIOR TO CONSTRUCTION.  
 ALL ALUMINIUM AND STEEL IS TO BE ISOLATED FROM ONE ANOTHER TO PREVENT GALVANIC ACTION.  
 ALL QUANTITIES ARE TO BE CHECKED ON SITE BY THE CONTRACTOR PRIOR TO PLACING ORDERS.  
 ALL UNDERCUTTING OF DOORS IS TO BE CALCULATED FROM MECHANICAL DETAILED CONSTRUCTION DRAWINGS.  
 ALL SHOP FRONT DOORS ARE TO BE AAAMSA APPROVED.

**SAKHISIZWE**  
 ARCHITECTS  
 + I N T E R I O R S

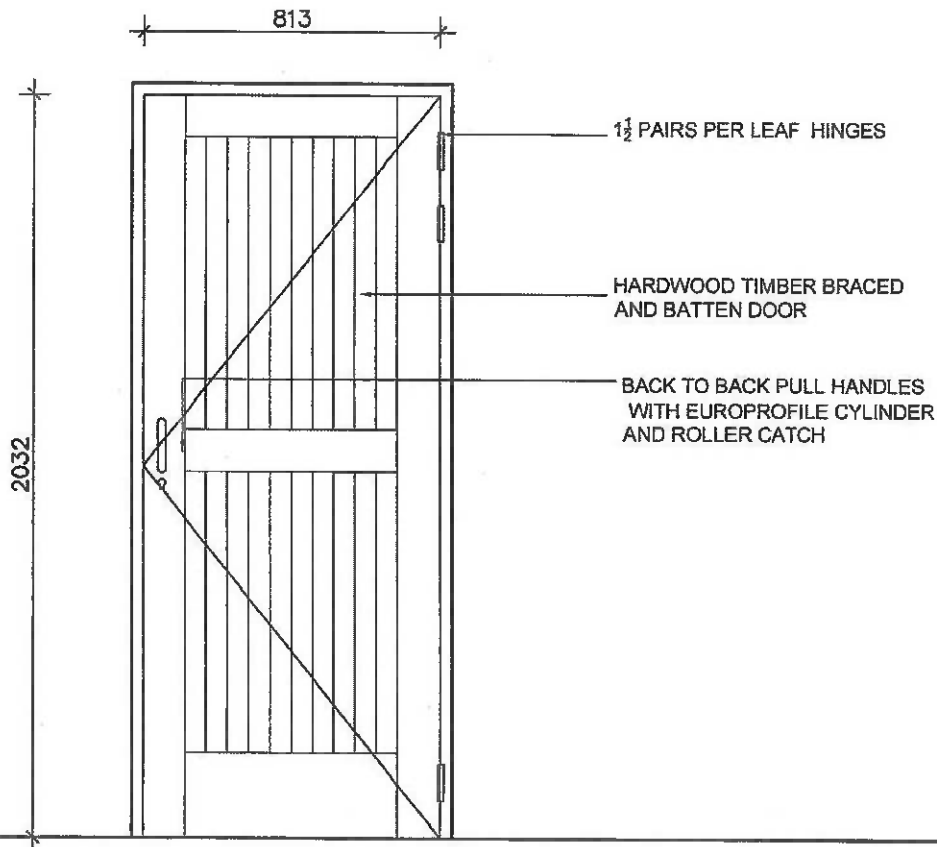
41 SWAPO ROAD (BROADWAY)  
 DURBAN NORTH 4001  
 PRIVATE BAG 112, GATEWAY 4321  
 TEL : 031 563 3424 FAX: 031 563 3516  
 EMAIL: info@sakhisizwe.co.za



**DOOR SCHEDULE**

**DOOR TYPE : D29**

FOR EXTERNAL USE



DESCRIPTION :	2032x813x44mm STANDARD HARDWOOD FRAMED BATTEN AND BRACED DOOR PRIMED AND PAINTED IN STRICT ACCORDANCE WITH THE MANUFACTURES SPECIFICATIONS. COLOUR: REFER TO FINISHES SCHEDULES.
FRAME :	STAINLESS STEEL PRESSED METAL FRAME TO SUIT WALL THICKNESS. FRAME PROFILE TO BE PER DETAIL "D"
HINGES :	1 1/2 PAIRS STAINLESS STEEL HINGES PER LEAF
GLAZING:	N/A
IRONMONGERY :	REFER DORMA SCHEDULES ATTACHED
SIGNAGE :	TO FUTURE DETAIL

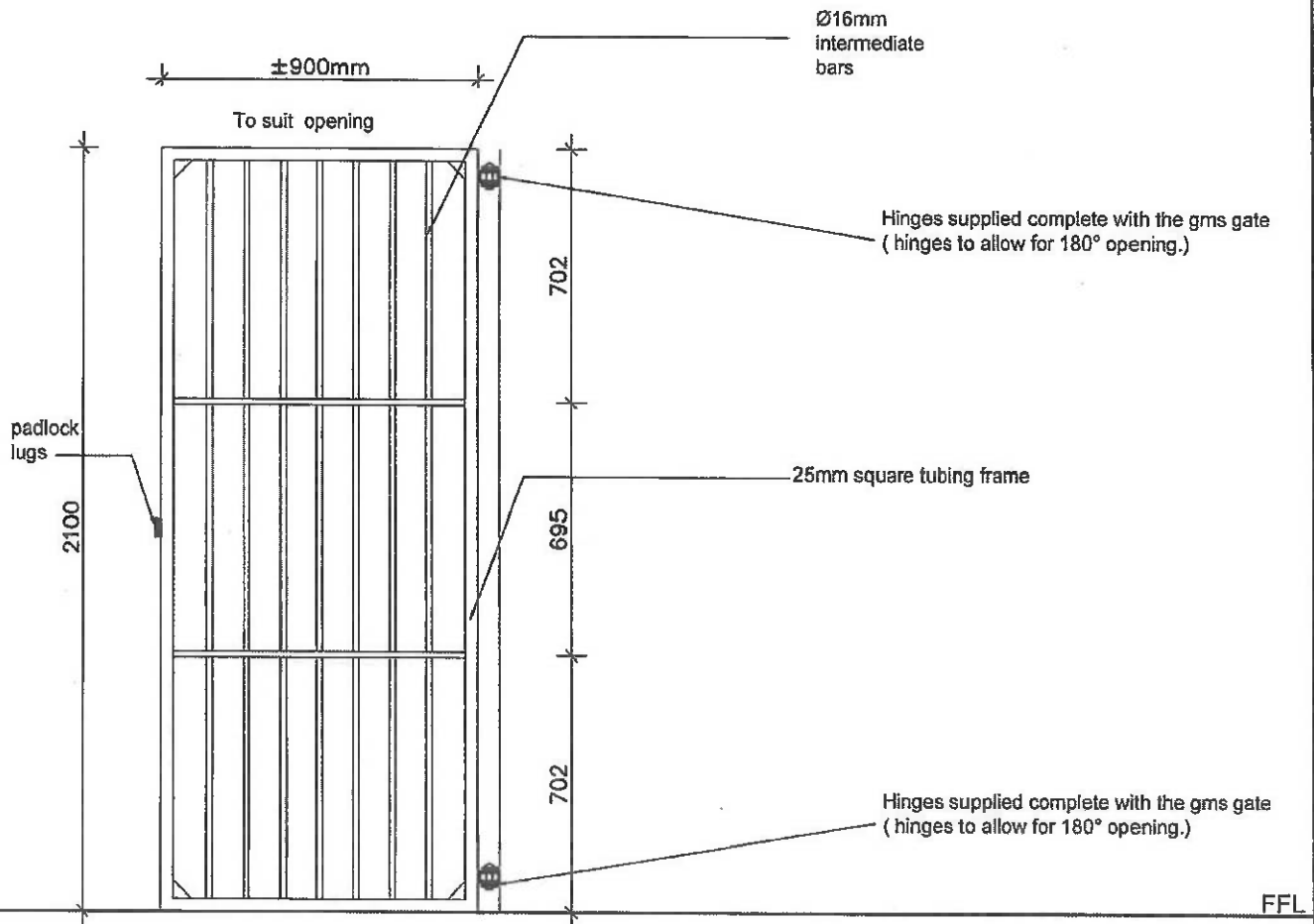
**GENERAL NOTES:**  
 DOOR SWINGS AND POSITIONS TO BE CALCULATED FROM THE DOOR REFERENCE PLANS.  
 ALL DIMENSIONS ARE TO BE CHECKED ON SITE BY THE CONTRACTOR PRIOR TO CONSTRUCTION.  
 ANY DISCREPANCIES ON THIS DRAWING ARE TO BE REPORTED TO THE OFFICE OF THE ARCHITECT PRIOR TO CONSTRUCTION.  
 ALL ALUMINIUM AND STEEL IS TO BE ISOLATED FROM ONE ANOTHER TO PREVENT GALVANIC ACTION.  
 ALL QUANTITIES ARE TO BE CHECKED ON SITE BY THE CONTRACTOR PRIOR TO PLACING ORDERS.  
 ALL UNDERCUTTING OF DOORS IS TO BE CALCULATED FROM MECHANICAL DETAILED CONSTRUCTION DRAWINGS.  
 ALL SHOP FRONT DOORS ARE TO BE AAAMSA APPROVED.

**SAKHISIZWE**  
 ARCHITECTS  
 + I N T E R I O R S

41 SWAPO ROAD (BROADWAY)  
 DURBAN NORTH 4051  
 PRIVATE BAG X12 GATEWAY 4321  
 TEL : 031 563 3424 FAX: 031 563 2618  
 EMAIL: info@sakhisizwearchitects.co.za

**DOOR SCHEDULE**

**DOOR TYPE : G1**

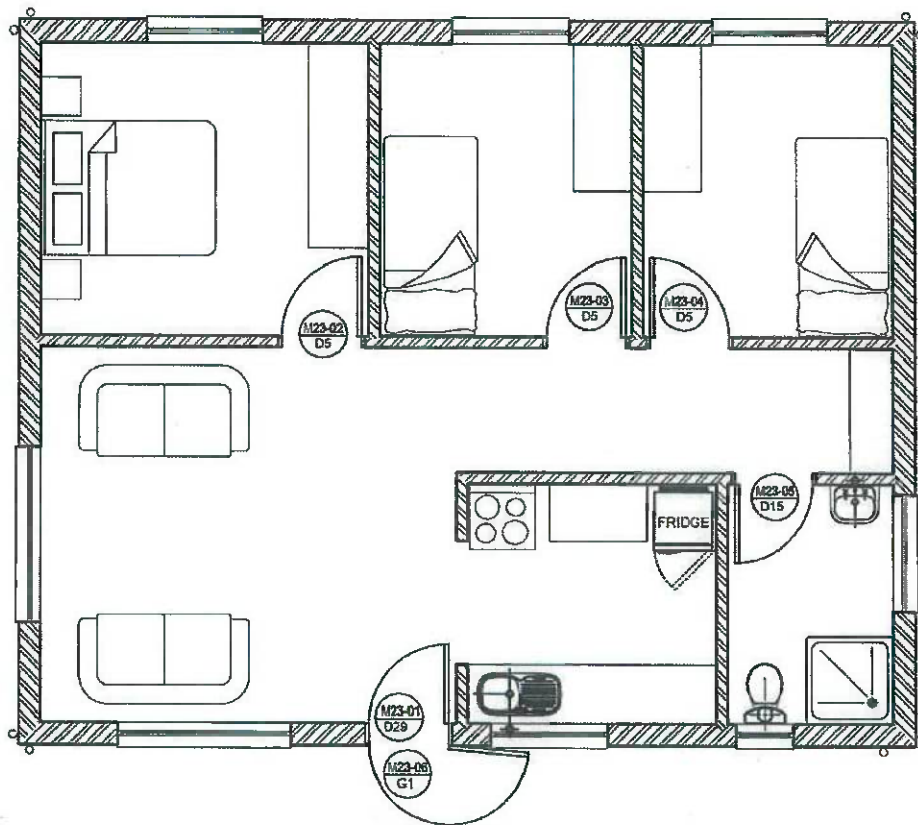


DESCRIPTION :	HOT DIPPED GALVANISED MILD STEEL WELDED GATE, WITH 25mm SQUARE TUBE FRAME AND 16mm INTERMEDIATE BARS AT MIN 100mm CENTRES  OPENINGS TO BE CHECKED ON SITE  GATE IS UNPAINTED
FRAME :	N/A
HINGES :	AS SUPPLIED BY MANUFACTURER TO SUIT GATE
GLAZING:	N/A
IRONMONGERY :	HIGH SECURITY, HEAVY DUTY PADLOCK & KEYS
SIGNAGE :	TO FUTURE DETAIL

**GENERAL NOTES:**  
 DOOR SWINGS AND POSITIONS TO BE CALCULATED FROM THE DOOR REFERENCE PLANS.  
 ALL DIMENSIONS ARE TO BE CHECKED ON SITE BY THE CONTRACTOR PRIOR TO CONSTRUCTION.  
 ANY DISCREPANCIES ON THIS DRAWING ARE TO BE REPORTED TO THE OFFICE OF THE ARCHITECT PRIOR TO CONSTRUCTION.  
 ALL ALUMINIUM AND STEEL IS TO BE ISOLATED FROM ONE ANOTHER TO PREVENT GALVANIC ACTION.  
 ALL QUANTITIES ARE TO BE CHECKED ON SITE BY THE CONTRACTOR PRIOR TO PLACING ORDERS.  
 ALL UNDERCUTTING OF DOORS IS TO BE CALCULATED FROM MECHANICAL DETAILED CONSTRUCTION DRAWINGS.  
 ALL SHOP FRONT DOORS ARE TO BE AAAMSA APPROVED.

**SAKHISIZWE**  
 ARCHITECTS  
 + I N T E R I O R S

41 SWAPO ROAD (BROADWAY)  
 DURBAN NORTH 4651  
 PRIVATE BAG X12 GATEWAY 4321  
 TEL : 031 563 3424 FAX: 031 563 3519  
 EMAIL: info@sakhisizwearchitects.co.za



ALLOW FOR ONE GATE  
PER COURTYARD

Project Title <b>JOZINI CHC</b>	Date: <b>29.11.13</b>
	Drawn: <b>MB</b>
	Scale: <b>1:75</b>
Drawing description <b>DOOR SCHEDULE MODULE 23</b>	Dwg No: <b>S264/DM23</b> Rev:

**SAKHISIZWE**  
ARCHITECTS  
+ INTERIORS

41 SWAPO (BROADWAY), DURBAN NORTH  
PRIVATE BAG X12 GATEWAY 4321  
TEL : 031 503 3421 FAX: 031 563 3518  
EMAIL: info@sakhisizwearchitects.co.za



**Proposed  
IRONMONGERY TYPE - CONTROL LIST**



**Project** Jozini Community Health Centre \_ Module 23 \_ Timber Doors

**Date** 24-01-2013

**Architects** Megan Bott  
Sakhisizwe Architects

**Revision** 1

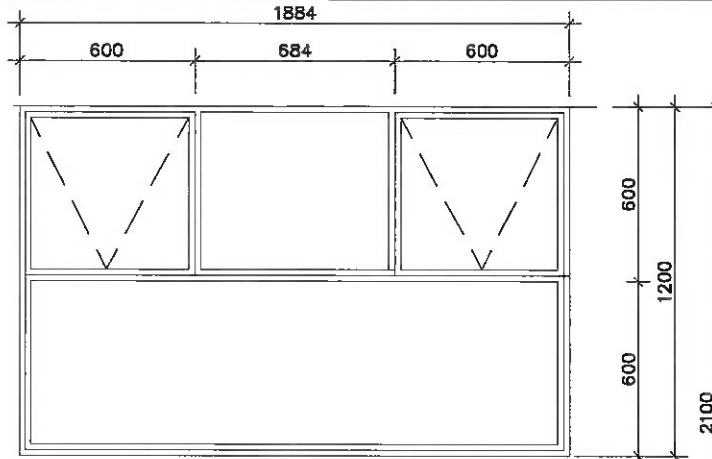
**Specified by** Ursula Jansen

Location	Area Ref.	Door No.	Handing	Door / Frame type	Iron-mongery type	Notes	MK Ref
Entrance	Module 23	M23.01	LH	29	2301		
Main Bedroom	Module 23	M23.02	LH	05	2302		
Bedroom	Module 23	M23.03	LH	05	2302		
Bedroom	Module 23	M23.04	RH	05	2302		
Bathroom	Module 23	M23.05	LH	15	2303		

JOZINI COMMUNITY HEALTH CENTRE : WINDOW SCHEDULE

WINDOW TYPE : W 01

WINDOW LEVEL



TOP OF CONCRETE



ACTUAL WINDOW DIMENSIONS TO SUIT FACEBRICK COURSING  
OPENINGS TO BE MEASURED ON SITE PRIOR TO MANUFACTURE

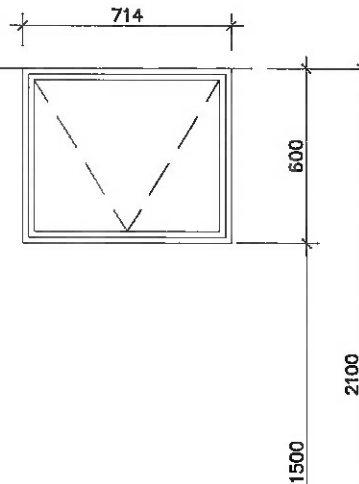
LOCATION	LOCATION
• MODULE 5	• CRISIS CENTER
• MODULE 7	• CASUALTY
• MODULE 8	• MATERNITY
• MODULE 9	• WOMEN CHILD CARE
• MODULE 15	• ADMINISTRATION
• MODULE 16	• SHORTSTAY
• MODULE 19	• LAB
• MODULE 21	• CSSD
• MODULE 11	• DENTIST & REHABILITATION
• MODULE 23	• PHARMACY
	• COMMON DISEASE
	• COUNSELING
	• CHRONIC
	• STAFF RESTROOM
	• CORRIDOR

FRAME :	EPOXY POWDER COATED ALUMINIUM WINDOW WITH FIXED GLAZED BOTTOM PANEL AND TWO EQUAL TOP HUNG OPENING SECTIONS PERIMETER OF WINDOW TO BE SEALED WITH SILICONE. COLOUR : MATT CHARCOAL
FITTINGS	BLACK NYLON HANDLES FOR ALUMINIUM WINDOWS. SAMPLE TO BE SHOWN TO THE ARCHITECT FOR APPROVAL.
GLAZING:	6MM CLEAR GLAZING TO COMPLY WITH SABS 0137 &
HINGES	GMS EASY CLEAN FRICTION STAYS TO SUITE TOP HUNG WINDOWS.
OTHERS :	W1 WINDOWS TO MAIN BUILDING ONLY - OPAQUE VINYL APPLIED TO BOTTOM SECTION

**GENERAL NOTES:**  
 ALL DIMENSIONS ARE TO BE CHECKED ON SITE BY THE CONTRACTOR PRIOR TO CONSTRUCTION.  
 ANY DISCREPANCIES ON THIS DRAWING ARE TO BE REPORTED TO THE OFFICE OF THE ARCHITECT PRIOR TO CONSTRUCTION.  
 ALL ALUMINIUM AND STEEL IS TO BE ISOLATED FROM ONE ANOTHER TO PREVENT GALVANIC ACTION.  
 ALL QUANTITIES ARE TO BE CHECKED ON SITE BY THE CONTRACTOR PRIOR TO PLACING ORDERS.  
 ALL SHOP FRONT ARE TO BE AAAMSA APPROVED AND TO MANUFACTURERS SPECIFICATIONS

**SAKHISIZWE**  
 ARCHITECTS  
 + INTERIORS  
 41 SWAPO ROAD (BROADWAY)  
 DURBAN NORTH 4051  
 PRIVATE BAG X12 GATEWAY 4321  
 TEL : 031 563 3424 FAX: 031 563 3518  
 EMAIL: info@sakhisizwearchitects.co.za

WINDOW LEVEL



TOP OF CONCRETE



ACTUAL WINDOW DIMENSIONS TO SUIT FACEBRICK COURSING  
OPENINGS TO BE MEASURED ON SITE PRIOR TO MANUFACTURE

LOCATION	LOCATION
• MODULE 5	• CRISIS CENTER
• MODULE 7	• MATERNITY
• MODULE 8	• WOMEN CHILD CARE
• MODULE 11	• CASUALTY
• MODULE 15	• ADMINISTRATION
• MODULE 16	• SHORTSTAY
• MODULE 19	• RADIOLOGY
• MODULE 21	• DENTIST& REHABILITATION
• MODULE 23	• PHARMACY
• SKILLS & NUTRITION	• COUNSELING
	• PUBLIC TOILET
	• STAFF TOILET

FRAME :	EPOXY POWDER COATED ALUMINIUM WINDOW WITH ONE TOP HUNG OPENING SECTION PERIMETER OF WINDOW TO BE SEALED WITH SILICONE. COLOUR : MATT CHARCOAL
FITTINGS	BLACK NYLON HANDLES FOR ALUMINIUM WINDOWS. SAMPLE TO BE SHOWN TO THE ARCHITECT FOR APPROVAL.
GLAZING:	6MM CLEAR GLAZING TO COMPLY WITH SABS 0137
HINGES	GMS EASY CLEAN FRICTION STAYS TO SUITE TOP HUNG WINDOWS.
OTHERS :	TO FUTURE DETAIL

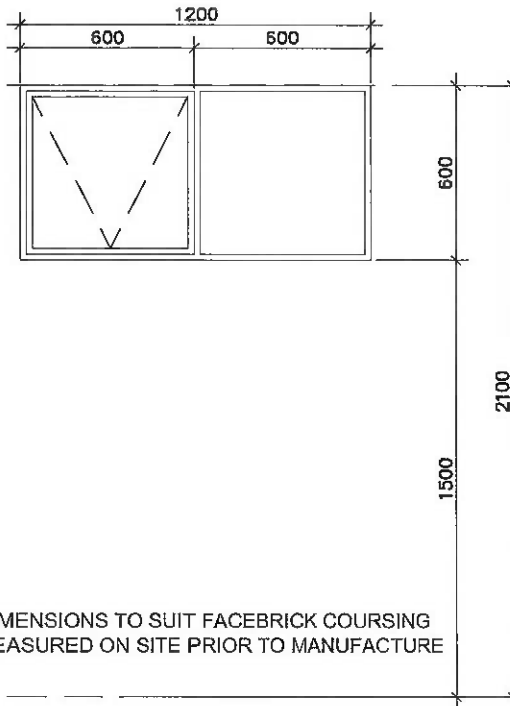
**GENERAL NOTES:**  
 ALL DIMENSIONS ARE TO BE CHECKED ON SITE BY THE CONTRACTOR PRIOR TO CONSTRUCTION.  
 ANY DISCREPANCIES ON THIS DRAWING ARE TO BE REPORTED TO THE OFFICE OF THE ARCHITECT PRIOR TO CONSTRUCTION.  
 ALL ALUMINIUM AND STEEL IS TO BE ISOLATED FROM ONE ANOTHER TO PREVENT GALVANIC ACTION.  
 ALL QUANTITIES ARE TO BE CHECKED ON SITE BY THE CONTRACTOR PRIOR TO PLACING ORDERS.  
 ALL SHOP FRONT ARE TO BE AAAMSA APPROVED AND TO MANUFACTURERS SPECIFICATIONS

**SAKHISIZWE**  
 ARCHITECTS  
 INTERIORS  
 41 SWAPO ROAD (BROADWAY)  
 DURBAN NORTH 4051  
 PRIVATE BAG X12 GATEWAY 4321  
 TEL : 031 563 3424 FAX: 031 563 3518  
 EMAIL: info@sakhisizwearchitects.co.za

JOZINI COMMUNITY HEALTH CENTRE : WINDOW SCHEDULE

WINDOW TYPE : W 03

WINDOW LEVEL



ACTUAL WINDOW DIMENSIONS TO SUIT FACEBRICK COURSING  
OPENINGS TO BE MEASURED ON SITE PRIOR TO MANUFACTURE

TOP OF CONCRETE

LOCATION

LOCATION

• MODULE 6	• ADMINISTRATION
• MODULE 7	• SHORTSTAY
• MODULE 9	• DENTIST& REHABILITATION
• MODULE 16	• COMMON DISEASE
• MODULE 19	• COUNSELING
• MODULE 21	• PUBLIC TOILET
• MODULE 23	
• MODULE 15	

FRAME :

EPOXY POWDER COATED ALUMINIUM WINDOW WITH TWO EQUAL PANES, ONE FIXED, ONE TOP HUNG OPENING SECTION PERIMETER OF WINDOW TO BE SEALED WITH SILICONE. COLOUR : MATT CHARCOAL

FITTINGS

BLACK NYLON HANDLES FOR ALUMINIUM WINDOWS. SAMPLE TO BE SHOWN TO THE ARCHITECT FOR APPROVAL.

GLAZING:

6MM CLEAR GLAZING TO COMPLY WITH SABS 0137

HINGES

GMS EASY CLEAN FRICTION STAYS TO SUITE TOP HUNG WINDOWS.

OTHERS :

TO FUTURE DETAIL

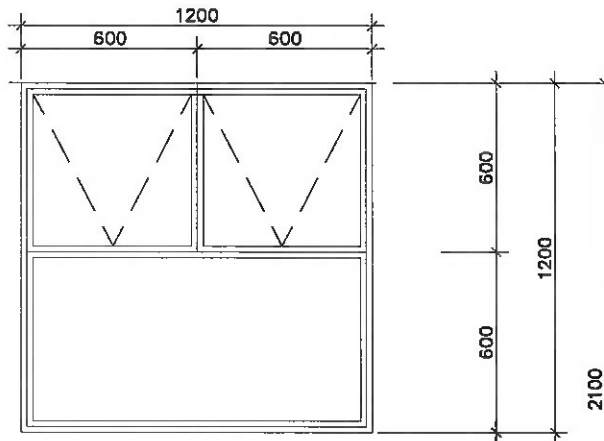
GENERAL NOTES:

ALL DIMENSIONS ARE TO BE CHECKED ON SITE BY THE CONTRACTOR PRIOR TO CONSTRUCTION.  
ANY DISCREPANCIES ON THIS DRAWING ARE TO BE REPORTED TO THE OFFICE OF THE ARCHITECT PRIOR TO CONSTRUCTION.  
ALL ALUMINIUM AND STEEL IS TO BE ISOLATED FROM ONE ANOTHER TO PREVENT GALVANIC ACTION.  
ALL QUANTITIES ARE TO BE CHECKED ON SITE BY THE CONTRACTOR PRIOR TO PLACING ORDERS.  
ALL SHOP FRONT ARE TO BE AAAMSA APPROVED AND TO MANUFACTURERS SPECIFICATIONS

**SAKHISIZWE**  
ARCHITECTS  
+ INTERIORS  
41 SWAPO ROAD (BROADWAY)  
DURBAN NORTH 4051  
PRIVATE BAG X12 GATEWAY 4321  
TEL : 031 563 3424 FAX: 031 563 3518  
EMAIL: info@sakhisizwearchitects.co.za



WINDOW LEVEL



ACTUAL WINDOW DIMENSIONS TO SUIT FACEBRICK COURSING OPENINGS TO BE MEASURED ON SITE PRIOR TO MANUFACTURE

TOP OF CONCRETE



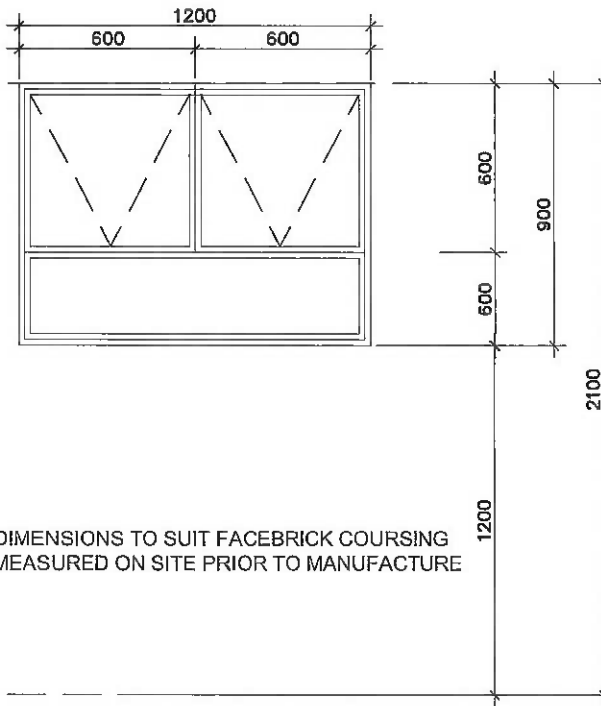
LOCATION	LOCATION	LOCATION
• MODULE 6	• CRISIS CENTER	• RADIOLOGY
• MODULE 7	• CASUALTY	• LAB
• MODULE 9	• MATERNITY	• CSSD
• MODULE 15	• WOMEN CHILD CARE	• DENTIST& REHABILITATION
• MODULE 19	• ADMINISTRATION	• PHARMACY
• MODULE 21	• SHORTSTAY	• COMMON DISEASE
• MODULE 23		• COUNSELING
• MODULE 16		• CHRONIC

FRAME :	EPOXY POWDER COATED ALUMINIUM WINDOW WITH FIXED GLAZED BOTTOM PANEL AND TWO EQUAL TOP HUNG OPENING SECTIONS PERIMETER OF WINDOW TO BE SEALED WITH SILICONE. COLOUR : MATT CHARCOAL
FITTINGS	BLACK NYLON HANDLES FOR ALUMINIUM WINDOWS. SAMPLE TO BE SHOWN TO THE ARCHITECT FOR APPROVAL.
GLAZING:	6MM CLEAR GLAZING TO COMPLY WITH SABS 0137
HINGES	GMS EASY CLEAN FRICTION STAYS TO SUITE TOP HUNG WINDOWS.
OTHERS :	W4 WINDOWS TO MAIN BUILDING ONLY - OPAQUE VINYL APPLIED TO BOTTOM SECTION

**GENERAL NOTES:**  
 ALL DIMENSIONS ARE TO BE CHECKED ON SITE BY THE CONTRACTOR PRIOR TO CONSTRUCTION.  
 ANY DISCREPANCIES ON THIS DRAWING ARE TO BE REPORTED TO THE OFFICE OF THE ARCHITECT PRIOR TO CONSTRUCTION.  
 ALL ALUMINIUM AND STEEL IS TO BE ISOLATED FROM ONE ANOTHER TO PREVENT GALVANIC ACTION.  
 ALL QUANTITIES ARE TO BE CHECKED ON SITE BY THE CONTRACTOR PRIOR TO PLACING ORDERS.  
 ALL SHOP FRONT ARE TO BE AAAMSA APPROVED AND TO MANUFACTURERS SPECIFICATIONS

**SAKHISIZWE**  
 ARCHITECTS  
 + I N T E R I O R S  
 41 SWAPO ROAD (BROADWAY)  
 DURBAN NORTH 4051  
 PRIVATE BAG X12 GATEWAY 4321  
 TEL : 031 563 3424 FAX: 031 563 3518  
 EMAIL: info@sakhisizwearchitects.co.za

WINDOW LEVEL



ACTUAL WINDOW DIMENSIONS TO SUIT FACEBRICK COURSING OPENINGS TO BE MEASURED ON SITE PRIOR TO MANUFACTURE

TOP OF CONCRETE



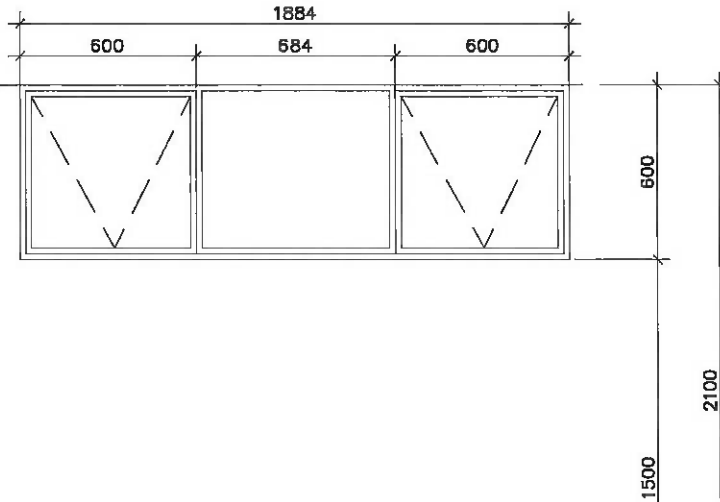
LOCATION		LOCATION		LOCATION
• MODULE 21				
• MODULE 23				

FRAME :	EPOXY POWDER COATED ALUMINIUM WINDOW WITH FIXED GLAZED BOTTOM PANEL AND TWO EQUAL TOP HUNG OPENING SECTIONS PERIMETER OF WINDOW TO BE SEALED WITH SILICONE. COLOUR : MATT CHARCOAL
FITTINGS	BLACK NYLON HANDLES FOR ALUMINIUM WINDOWS. SAMPLE TO BE SHOWN TO THE ARCHITECT FOR APPROVAL.
GLAZING:	6MM CLEAR GLAZING TO COMPLY WITH SABS 0137
HINGES	GMS EASY CLEAN FRICTION STAYS TO SUITE TOP HUNG WINDOWS.
OTHERS :	W4 WINDOWS TO MAIN BUILDING ONLY - OPAQUE VINYL APPLIED TO BOTTOM SECTION

**GENERAL NOTES:**  
 ALL DIMENSIONS ARE TO BE CHECKED ON SITE BY THE CONTRACTOR PRIOR TO CONSTRUCTION.  
 ANY DISCREPANCIES ON THIS DRAWING ARE TO BE REPORTED TO THE OFFICE OF THE ARCHITECT PRIOR TO CONSTRUCTION.  
 ALL ALUMINIUM AND STEEL IS TO BE ISOLATED FROM ONE ANOTHER TO PREVENT GALVANIC ACTION.  
 ALL QUANTITIES ARE TO BE CHECKED ON SITE BY THE CONTRACTOR PRIOR TO PLACING ORDERS.  
 ALL SHOP FRONT ARE TO BE AAAMSA APPROVED AND TO MANUFACTURERS SPECIFICATIONS

**SAKHISIZWE**  
 ARCHITECTS  
 + INTERIORS  
 41 SWAPO ROAD (BROADWAY)  
 DURBAN NORTH 4051  
 PRIVATE BAG X12 GATEWAY 4321  
 TEL : 031 563 3424 FAX: 031 563 3518  
 EMAIL: info@sakhisizwearchitects.co.za

WINDOW LEVEL



ACTUAL WINDOW DIMENSIONS TO SUIT FACEBRICK COURSING  
OPENINGS TO BE MEASURED ON SITE PRIOR TO MANUFACTURE

TOP OF CONCRETE

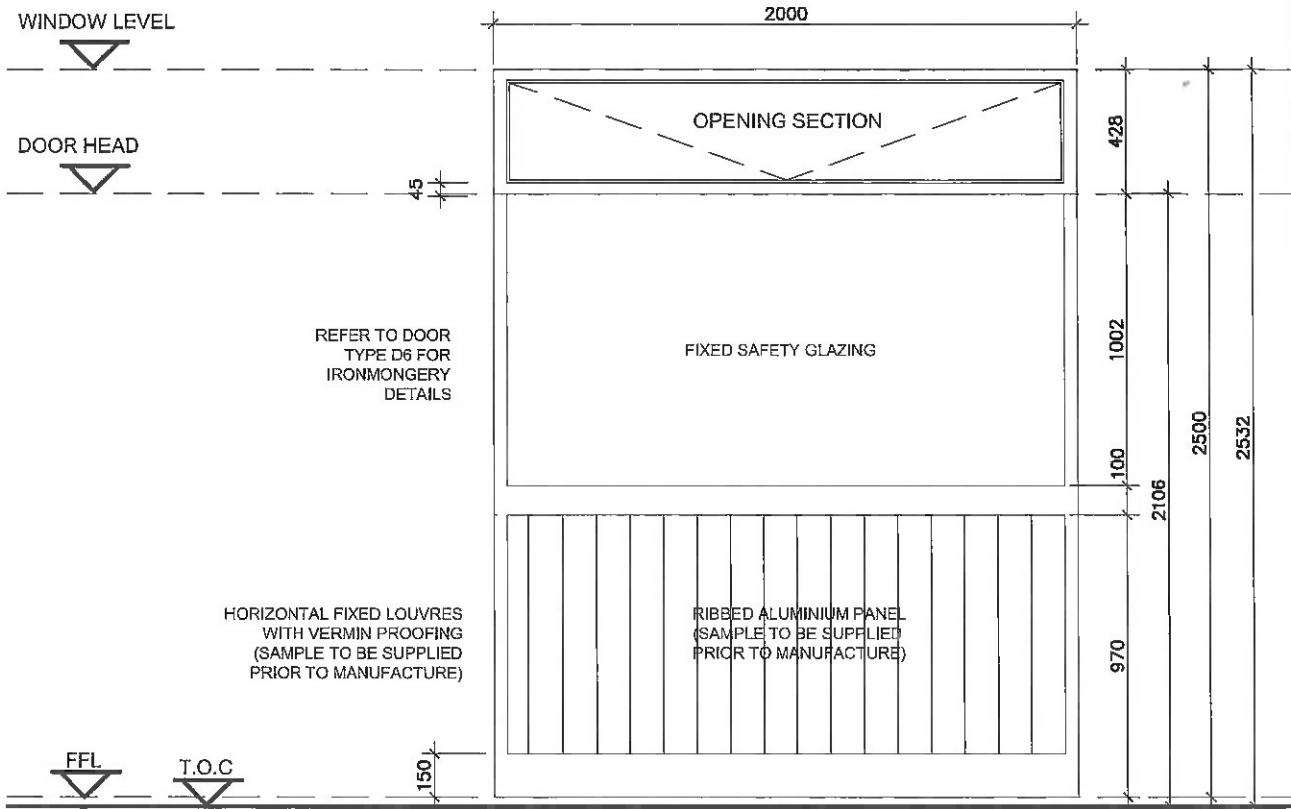


LOCATION		LOCATION	
• CASUALITY			

FRAME :	EPOXY POWDER COATED ALUMINIUM WINDOW WITH THREE EQUAL PANELS. FIXED CENTRE PANE AND TWO TOP HUNG OPENING SECTIONS PERIMETER OF WINDOW TO BE SEALED WITH SILICONE. COLOUR : MATT CHARCOAL
FITTINGS	BLACK NYLON HANDLES FOR ALUMINIUM WINDOWS. SAMPLE TO BE SHOWN TO THE ARCHITECT FOR APPROVAL.
GLAZING:	6MM CLEAR GLAZING TO COMPLY WITH SABS 0137
HINGES	GMS EASY CLEAN FRICTION STAYS TO SUITE TOP HUNG WINDOWS.
OTHERS :	TO FUTURE DETAIL

**GENERAL NOTES:**  
 ALL DIMENSIONS ARE TO BE CHECKED ON SITE BY THE CONTRACTOR PRIOR TO CONSTRUCTION.  
 ANY DISCREPANCIES ON THIS DRAWING ARE TO BE REPORTED TO THE OFFICE OF THE ARCHITECT PRIOR TO CONSTRUCTION.  
 ALL ALUMINIUM AND STEEL IS TO BE ISOLATED FROM ONE ANOTHER TO PREVENT GALVANIC ACTION.  
 ALL QUANTITIES ARE TO BE CHECKED ON SITE BY THE CONTRACTOR PRIOR TO PLACING ORDERS.  
 ALL SHOP FRONT ARE TO BE AAAMSA APPROVED AND TO MANUFACTURERS SPECIFICATIONS

**SAKHISIZWE**  
 ARCHITECTS  
 + INTERIORS  
 41 SWAPO ROAD (BROADWAY)  
 DURBAN NORTH 4051  
 PRIVATE BAG X12 GATEWAY 4321  
 TEL : 031 563 3424 FAX: 031 563 3518  
 EMAIL: info@sakhisizwearchitects.co.za



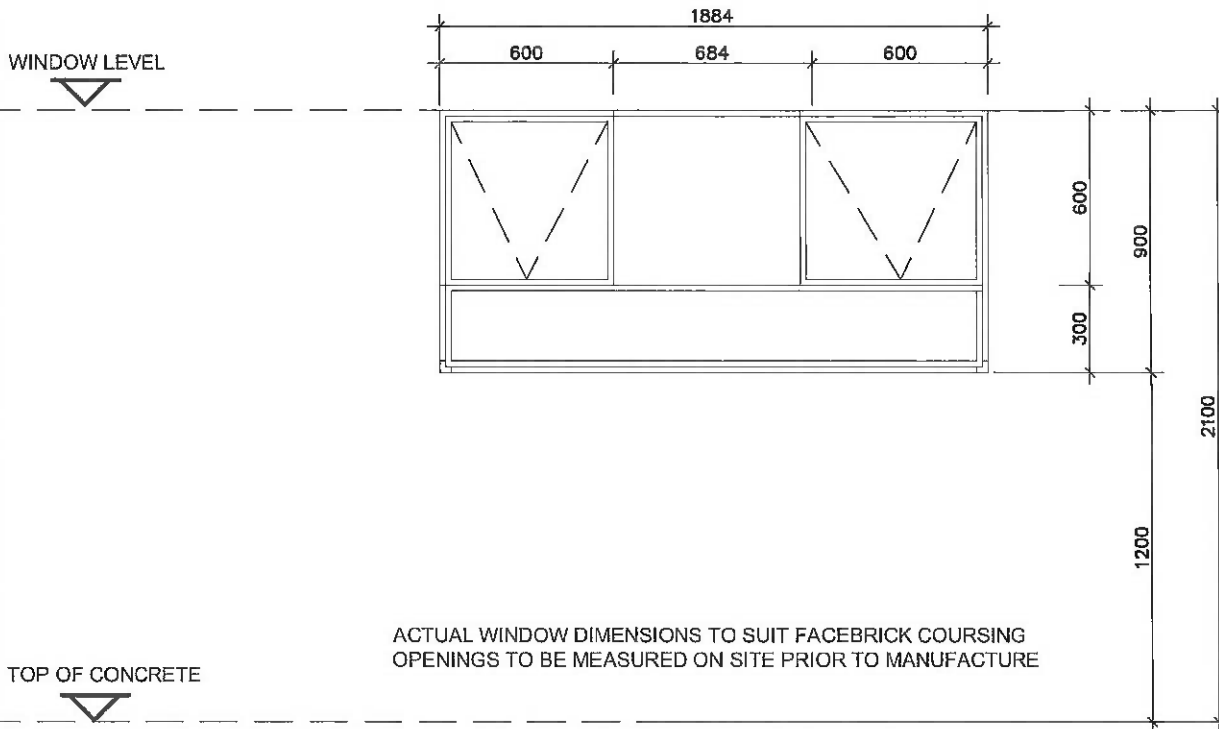
LOCATION	LOCATION
• MAIN WAITING AREA	

FRAME :	EPOXY POWDER COATED ALUMINIUM WINDOW WITH FIXED GLAZED PANELS, WITH RIBBED ALUMINIUM BOTTOM PANEL TO MATCH WITH TOP HUNG OPENING TOP SECTION PERIMETER OF WINDOW TO BE SEALED WITH SILICONE.COLOUR : MATT CHARCOAL
FITTINGS	N/A
GLAZING:	6MM CLEAR SAFETY GLAZING TO COMPLY WITH SABS 0137
HINGES	N/A
OTHERS :	TO FUTURE DETAIL

**GENERAL NOTES:**

ALL DIMENSIONS ARE TO BE CHECKED ON SITE BY THE CONTRACTOR PRIOR TO CONSTRUCTION.  
 ANY DISCREPANCIES ON THIS DRAWING ARE TO BE REPORTED TO THE OFFICE OF THE ARCHITECT PRIOR TO CONSTRUCTION.  
 ALL ALUMINIUM AND STEEL IS TO BE ISOLATED FROM ONE ANOTHER TO PREVENT GALVANIC ACTION.  
 ALL QUANTITIES ARE TO BE CHECKED ON SITE BY THE CONTRACTOR PRIOR TO PLACING ORDERS.  
 ALL SHOP FRONT ARE TO BE AAAMSA APPROVED.

**SAKHISIZWE**  
 ARCHITECTS  
 + I N T E R I O R S  
 41 SWAPO ROAD (BROADWAY)  
 DURBAN NORTH 4051  
 PRIVATE BAG X12 GATEWAY 4321  
 TEL : 031 563 3424 FAX: 031 563 3518  
 EMAIL: info@sakhiszwearchitects.co.za



LOCATION		LOCATION
• MODULE 19		
• MODULE 15		

FRAME :	EPOXY POWDER COATED ALUMINIUM WINDOW WITH FIXED GLAZED BOTTOM PANEL AND TWO EQUAL TOP HUNG OPENING SECTIONS PERIMETER OF WINDOW TO BE SEALED WITH SILICONE. COLOUR : MATT CHARCOAL
FITTINGS	BLACK NYLON HANDLES FOR ALUMINIUM WINDOWS. SAMPLE TO BE SHOWN TO THE ARCHITECT FOR APPROVAL.
GLAZING:	6MM CLEAR GLAZING TO COMPLY WITH SABS 0137
HINGES	GMS EASY CLEAN FRICTION STAYS TO SUITE TOP HUNG WINDOWS.
OTHERS :	TO FUTURE DETAIL

**GENERAL NOTES:**  
 ALL DIMENSIONS ARE TO BE CHECKED ON SITE BY THE CONTRACTOR PRIOR TO CONSTRUCTION.  
 ANY DISCREPANCIES ON THIS DRAWING ARE TO BE REPORTED TO THE OFFICE OF THE ARCHITECT PRIOR TO CONSTRUCTION.  
 ALL ALUMINIUM AND STEEL IS TO BE ISOLATED FROM ONE ANOTHER TO PREVENT GALVANIC ACTION.  
 ALL QUANTITIES ARE TO BE CHECKED ON SITE BY THE CONTRACTOR PRIOR TO PLACING ORDERS.  
 ALL SHOP FRONT ARE TO BE AAAMSA APPROVED AND TO MANUFACTURERS SPECIFICATIONS

**SAKHISIZWE**  
 ARCHITECTS  
 + INTERIORS  
 41 SWAPO ROAD (BROADWAY)  
 DURBAN NORTH 4051  
 PRIVATE BAG X12 GATEWAY 4321  
 TEL : 031 563 3424 FAX: 031 563 3518  
 EMAIL: info@sakhisizwearchitects.co.za